

Table of Contents Heavy Duty ‘V’ Blade

‘V’ Blade Assembly.....2  
Power Angling Assembly.....7  
‘V’ plow flares.....14  
Third Spring Installation.....17

Important note:

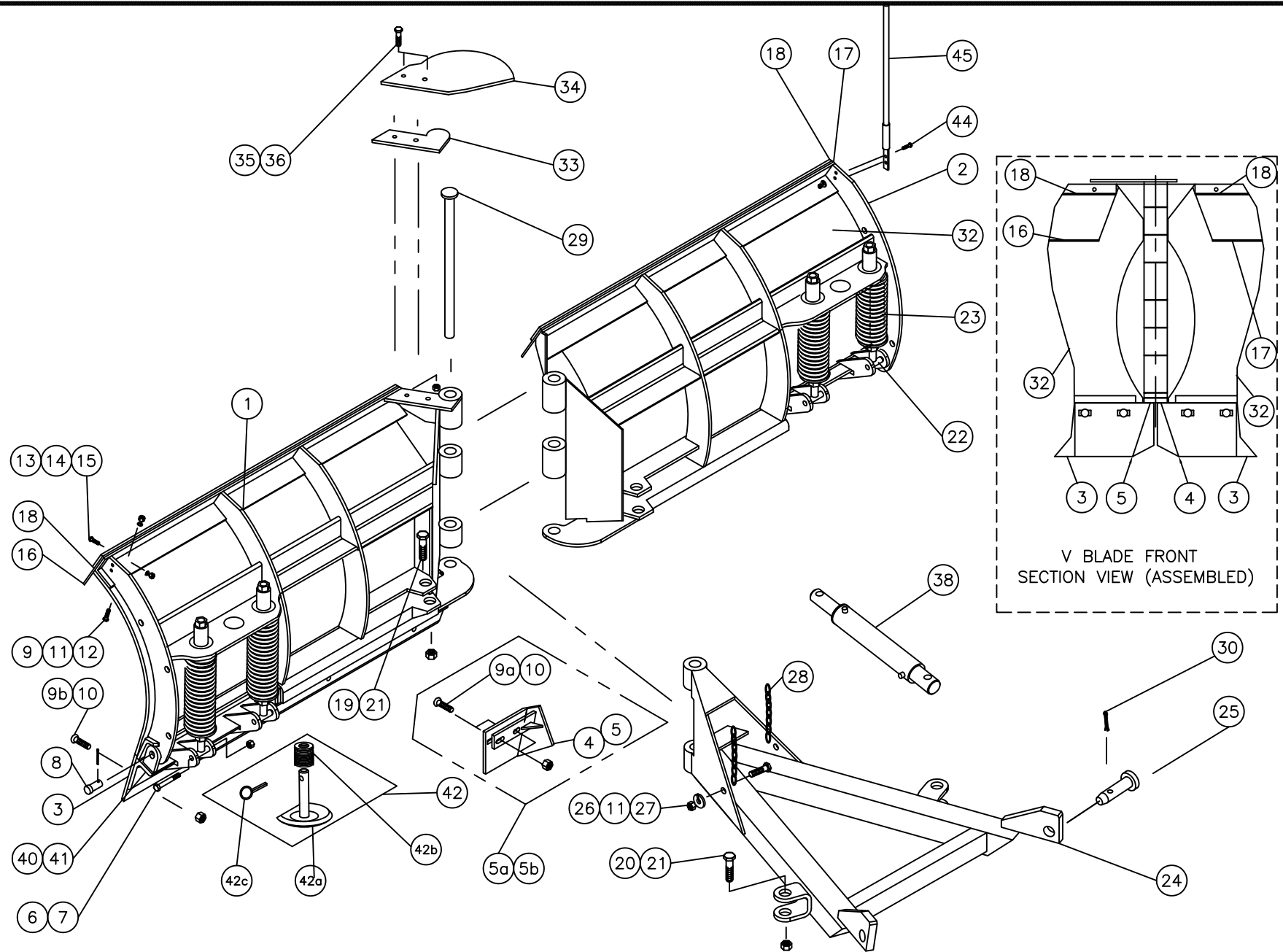
Lift frames for this specific blade are listed below:


- Lift Frame QLII-HI-DLC-GA
- Lift Frame QLIII-HI-DLC-GA
- Lift Frame QLIV-HI-DLC-GA

For more information about the lift frame, check under Lift frame section.

# ARCTIC HDVTE-P

Arctic Heavy Duty 'V' Trip Edge Blade 96" & 108"



 Warning

Do not exceed GVWR or GAWR, including blade and ballast. The rating label is found on the driver side vehicle door corners.

Lower the blade when the vehicle is parked. Temperature changes could change hydraulic pressure, causing the blade to drop unexpectedly or damaging hydraulic components. Failure to do this can result in serious personal injury.

Servicing the trip springs without special tools and knowledge could result in personal injury. See Arctic authorized dealer for service.

Inspect snowplow components and bolts for wear and damage when mounting or removing snowplow and before traveling.

Keep hands and feet clear of the blade, A-frame and cylinders when mounting or removing the snowplow. Moving or falling assemblies could cause personal injury. Never use a finger to check an alignment. Moving or falling assemblies could crush your finger.

Do not stand between the vehicle and the blade or within 10' of a moving blade. A moving or falling blade could cause personal injury.

To prevent accidental movement of the blade, always turn the control OFF whenever the snowplow is not in use.

Arctic Heavy Duty 'V' Trip Edge Blade 96" (52808-M-GA), 108" (53020-M-GA) Blade, 96" HDVTE Stainless Steel blade(52808-SS), 108" HDVTE Stainless Steel blade (53020-SS) A-frame and Hardware			
Item	Description	Part Number	Quantity
1	52810-M-GA	Driver Side Blade Section Assembly (96" )	1
	53013-M-GA	Driver Side Blade Section Assembly (108")	1
	52810-SS	Driver Side Blade Section Assembly (96") for Stainless Steel Galvanized blade	1
	53013-SS	Driver Side Blade Section Assembly (108") for Stainless Steel Galvanized blade	1
2	52809-M-GA	Curb Side Blade Section Assembly (96")	1
	53012-M-GA	Curb Side Blade Section Assembly (108" )	1
	52809-SS	Curb Side Blade Section Assembly (96") for Stainless Steel Galvanized blade	1
	53012-SS	Curb Side Blade Section Assembly (108") for Stainless Steel Galvanized blade	1
3	53350-B	Cutting Edge (96" ) Top Punch	2
	53351-B	Cutting Edge (108" ) Top Punch	2
	53154-B	Cutting Edge (96" ) Center Punch	2
	53155-B	Cutting Edge (108" ) Center Punch	2
4	53347-01-B	Centre Cutting Edge Driver Side (Top Punch)	1
	53163-01-B	Centre Cutting Edge Driver Side (Center Punch)	1
5	53347-02-B	Centre Cutting Edge Curb Side (Top Punch)	1
	53163-02-B	Centre Cutting Edge Curb Side (Center Punch)	1
5a	53169-M	Centre Cutting Edge Kit (Center Punch) (includes driver and curb side cutting edge & hardware)	1
5b	53347-M	Centre Cutting Edge Kit (Top Punch) ) (includes driver and curb side cutting edge & hardware)	1
6	HH-00540-004	½" Nylon Nut	4
7	53015-N	½"UNF Bolt 5" long	4
8	52442-M	3/4 x 2-1/8" Rivet c/w Cotter Pin	8
9	HH-00971-136	½" x 1-1/2" Carriage Bolt	8
9a	HH-00971-140	½" x 2-1/2" Carriage Bolt	4
9b	HH-00971-137G8	½" x 1-3/4" Carriage Bolt	12
10	HH-00340-003	½" NC Nylon Nut	12
11	HH-00457-001	½" Lock Washer	8
12	HH-00294-005	½" NC Nut	8
13	HH-00971-044	5/16" x1-1/4"Carriage Bolt	8
14	HH-00457-007	5/16" Lock Washer	8
15	HH-00294-002	5/16" NC Nut	8

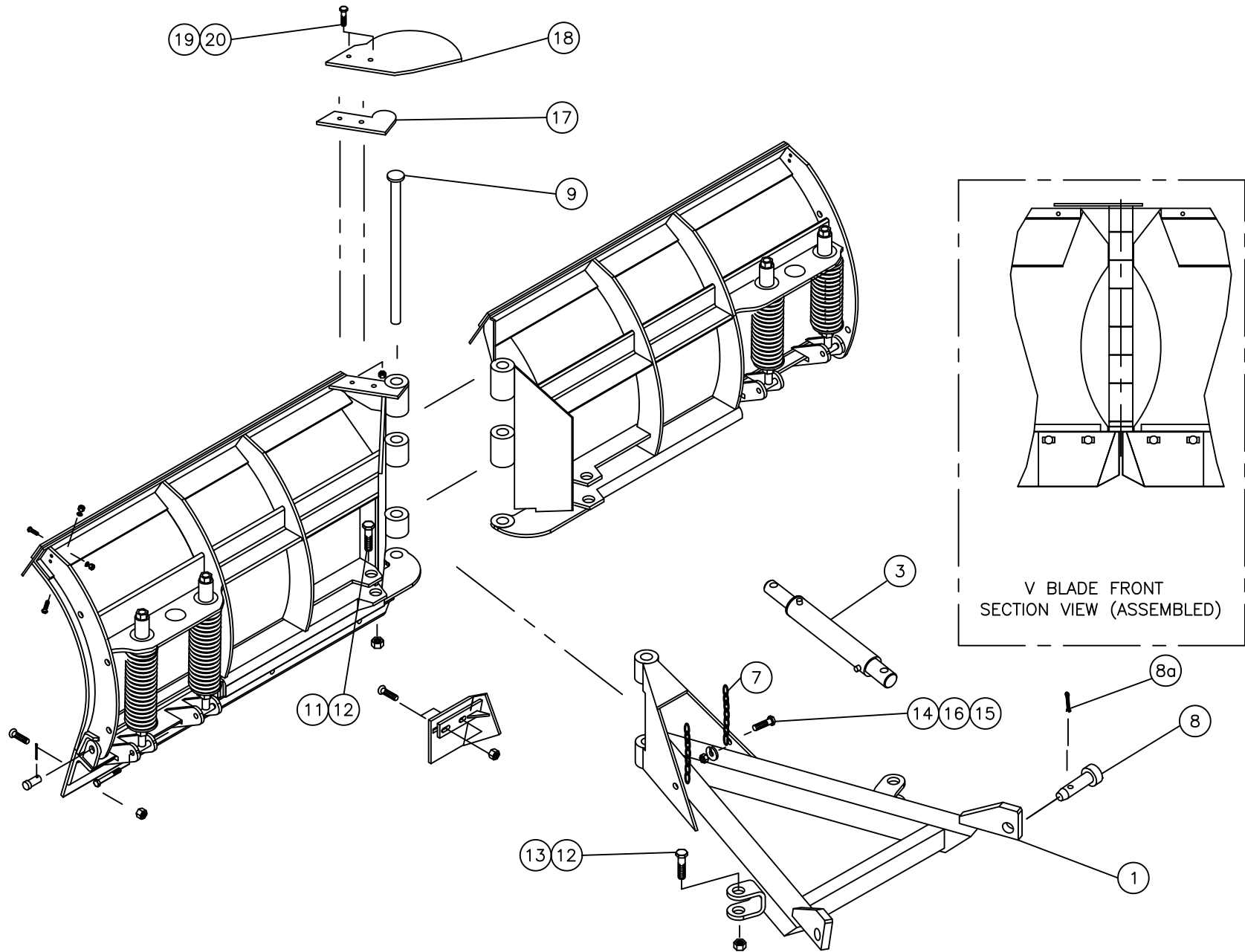
Arctic Heavy Duty 'V' Trip Edge Blade 96" (52808-M-GA), 108" (53020-M-GA) Blade, 96" HDVTE Stainless Steel blade(52808-SS), 108" HDVTE Stainless Steel blade (53020-SS) A-frame and Hardware			
Item	Description	Part Number	Quantity
16	52864-01-D	Poly Deflector Driver Side (96" V-blade)	1
	53009-01-D	Poly Deflector Driver Side (108" V-blade)	1
17	52864-02-D	Poly Deflector Curb Side (96" V-blade)	1
	53009-02-D	Poly Deflector Curb Side (108" V-blade)	1
18	52865-D	Strap (96" V-blade)	2
	53011-D	Strap (108" V-blade)	2
19	53546-N	3/4" x 3-1/2" Bolt	2
20	HH-00972-152	3/4" x 3-1/4" Bolt	2
21	HH-00973-007	3/4" Hex Nut Nylon Insert	4
22	52440-C	Spring Tube Assembly (without spring)	4
23	52441-M	Trip Edge Spring	4
24	52854-C-GA	A-Frame	1
25	53325-A	Spreader Pin	2
26	HH-00972-090	1/2" x 1-1/2" Bolt	2
27	HH-00460-002	1/2" Nut	2
28	55018-M	Chain	2
29	52860-B	Pivot Pin	1
30	HH-00020-164	Cotter Pin	2
32	52841-01-D	Poly Blade Skin DS (96") orange	1
	52841-01-D-PLAT	Poly Blade Skin DS (96") gray	
	52841-02-D	Poly Blade Skin CS (96") orange	1
	52841-02-D-PLAT	Poly Blade Skin CS (96") gray	
	52842-01-D	Poly Blade Skin DS (108") orange	1
	52842-01-D-PLAT	Poly Blade Skin DS (108") gray	
	52842-02-D	Poly Blade Skin CS (108") orange	1
	52842-02-D-PLAT	Poly Blade Skin CS (108") gray	
	52841-01-SS	Stainless Steel Skin DS (96")	1
	52841-02-SS	Stainless Steel Skin CS (96")	1
	52842-01-SS	Stainless Steel Skin DS (108")	1
	52842-02-SS	Stainless Steel Skin CS (108")	1
33	52869-M-GA	Top Pin Spacer	1
34	52837-M-GA	Pin Retainer	1
35	HH-00293-051	Bolt 3/8" - 16 x 1 1/2"	2
36	HH-00340-001	3/8" Hex nut	2
38	52873-NRS	Cylinder 1 1/2" x 2 1/4" x 9"	2
39	HH-00233-001	1/8" Grease Fitting	6
40	52843-01-D-GA	Base Angle DS (96" V-blade)	1
	52844-01-D-GA	Base Angle DS (108" V-blade)	1
41	52843-02-D-GA	Base Angle CS (96" V-blade)	1

Arctic Heavy Duty 'V' Trip Edge Blade 96" (52808-M-GA), 108" (53020-M-GA) Blade, 96" HDVTE Stainless Steel blade(52808-SS), 108" HDVTE Stainless Steel blade (53020-SS) A-frame and Hardware			
Item	Description	Part Number	Quantity
	52844-02-D-GA	Base Angle CS (108" V-blade)	1
42	53322-M-GA	Trip Edge Shoe Assembly	2
42a	53322-A-GA	Trip Edge Shoe	1
42b	55017-N	1" Adjustment Washers	15
42c	50040-A	Quick Release Pin	1
44	GB001	Guide Bolt Assembly	4
45	50999-B	Blade Guide	2
46	53634-N	Roll of trim Guard (for Stainless Steel Blade)	2
47	53600-0006	(06PN) 3/8"-16x1 18-8 Carriage bolt	8
48	53600-0007	(WLX3) 3/8" lock-washer	8
49	53600-0008	(NXF3) 3/8" Hex Nut	8
50	HH-00271-006	(WUX3) 3/8" Flat-washer	8

Arctic Equipment Manufacturing Corporation reserves the right under its product improvement policy to change construction or design details and furnish equipment when so altered without reference to illustrations or specifications used.

# Arctic Heavy Duty 'V' Trip Edge Poly Blade & A-Frame Installation





**Warning**

Do not exceed GVWR or GAWR, including blade and ballast. The rating label is found on the driver side vehicle door corners.

**Warning**

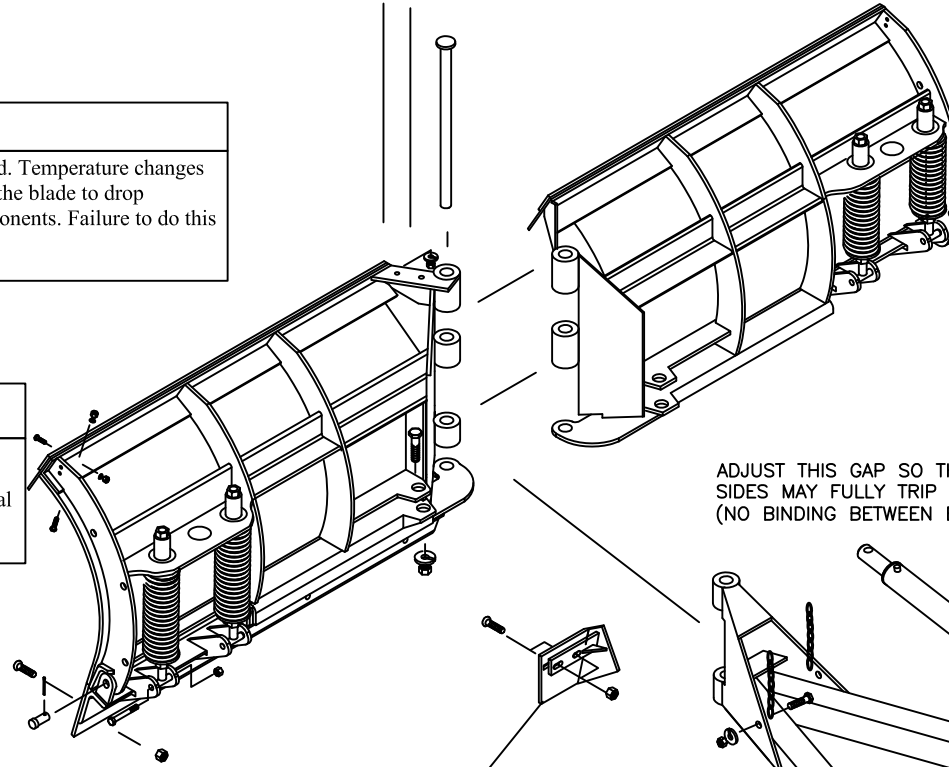
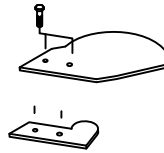
Lower the blade when the vehicle is parked. Temperature changes could change hydraulic pressure, causing the blade to drop unexpectedly or damaging hydraulic components. Failure to do this can result in serious personal injury.

**Warning**

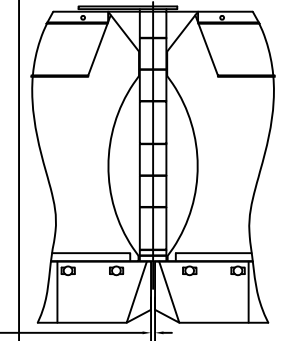
Servicing the trip springs without special tools and knowledge could result in personal injury. See Arctic authorized dealer for service.

**Warning**

Inspect snowplow components and bolts for wear and damage when mounting or removing snowplow and before traveling.



V BLADE FRONT SECTION VIEW (ASSEMBLED)



ADJUST THIS GAP SO THAT BOTH SIDES MAY FULLY TRIP INDEPENDENTLY (NO BINDING BETWEEN EDGES)

slide between cutting edge and the trip edge angle

**Warning**

Keep hands and feet clear of the blade, A-frame and cylinders when mounting or removing the snowplow. Moving or falling assemblies could cause personal injury. Never use a finger to check an alignment. Moving or falling assemblies could crush your finger.

**Warning**

Do not stand between the vehicle and the blade or within 10' of a moving blade. A moving or falling blade could cause personal injury.

 **Warning**

Do not exceed GVWR or GAWR, including blade and ballast. The rating label is found on the driver side vehicle door corners.

Lower the blade when the vehicle is parked. Temperature changes could change hydraulic pressure, causing the blade to drop unexpectedly or damaging hydraulic components. Failure to do this can result in serious personal injury.

Servicing the trip springs without special tools and knowledge could result in personal injury. See Arctic authorized dealer for service.

Inspect snowplow components and bolts for wear and damage when mounting or removing snowplow and before traveling.

Keep hands and feet clear of the blade, A-frame and cylinders when mounting or removing the snowplow. Moving or falling assemblies could cause personal injury. Never use a finger to check an alignment. Moving or falling assemblies could crush your finger.

Do not stand between the vehicle and the blade or within 10' of a moving blade. A moving or falling blade could cause personal injury.

To prevent accidental movement of the blade, always turn the control OFF whenever the snowplow is not in use.

Arctic HDVTE Poly Blade & A frame			
Item	Part Number	Description	Quantity
1	52854-C-GA	A-frame Galvanized	1
2	HH-00233-001	1/8 Grease Fitting	1
3	52873-NRS	Cylinder 1 1/2" dia rod x 2" dia piston x 9" stroke	2
4	52874-M	V blade Hardware Kit	1
7	55018-M	Chain	2
8	53325-A	Spreader Pin	2
8a	HH-00020-164	Cotter pin	2
9	52860-B	Pivot Pin	1
11	53546-N	3/4-16x3.1/2 Hex Head Cap Screw gr 8	2
12	HH-00973-007	3/4" Hex Nut Nylon Insert	4
13	HH-00972-152	3/4-16x3.1/4 Hex Head Cap Screw	2
14	HH-00972-090	1/2-20x1.1/2 Hex Head Cap Screw	2
15	HH-00460-002	1/2-20 Hex Nut	2
16	HH-00457-001	1/2 Lock washer	2
17	52869-M-GA	Top Pin Spacer Galvanized	1
18	52837-M-GA	Pin Retainer Galvanized	1
19	HH-00293-051	Bolt 3/8" - 16 x 1 1/2"	2
20	HH-00340-001	3/8" Hex nut	2
22	52811-M-GA	"A"-Frame Assembly (include cylinders,chain,bolts etc)	1

### Installation Instructions

1. Lay left section of the blade and right section of the blade down on the floor. Align hinges of both sections. Attach A-frame (1) to blade by inserting pivot pin (9) through the hole in the A frame tube and blade cross members. Secure the pivot pin (9) with pin spacer (17) and pin retainer (18) using 3/8" bolt (19), and nut (20).
2. Apply grease at 6 places on the A frame and blade grease fittings. Grease should be reapplied periodically.
3. Secure cylinders (3) with bolts to the blade using 3/4" bolt (11), and 3/4" lock nut (12).

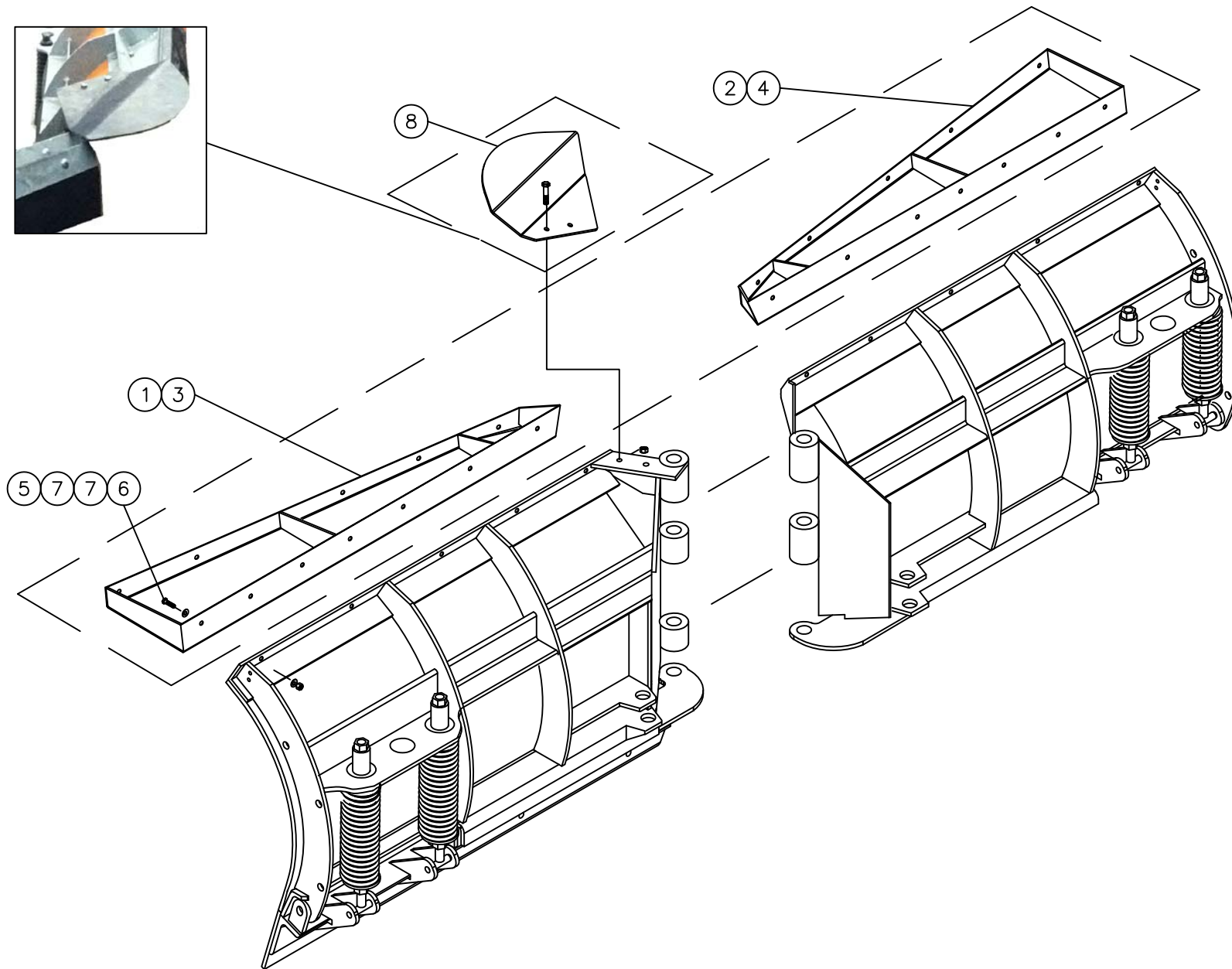
To attach snowplow to vehicle mount, proceed as follows:

1. Position the vehicle such that the A-frame (1) lugs and vehicle mount are in vertical alignment.
2. Hook the chains (7) into the lift channel slots.
3. Actuate lift cylinder slowly. Blade will remain on the ground, but the A-frame (1) will

- begin to rise. Continue until the A-frame (1) lug holes align with the holes on the vehicle mount.
4. Insert the spreader pins (8) through the holes to attach the A-frame (1) to the vehicle mount. Secure attachment by inserting cotter pins into the spreader pins (8).
  5. With the joystick in the DOWN position, push the lift channel downward as far as possible and adjust the chain so there are two links of slack.
  6. Check the cutting edge clearance. Use a combination of spacer washers until ½" clearance between the ground and cutting edge is achieved. Secure shoes by inserting the lynch pins into the shoe.

Arctic Equipment Manufacturing Corporation reserves the right under its product improvement policy to change construction or design details and furnish equipment when so altered without reference to illustrations or specifications used.

'V' Plow Flares  
53547-96-M & 53548-108-M



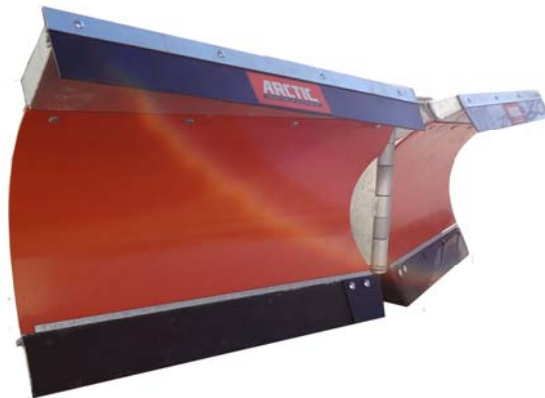
**Warning**

Do not exceed the gross vehicle weight ratings (GAWR), front gross axle weight rating (FGAWR) specified on the Safety Compliance Certification Label located in the driver's side door opening.

V Blade Flare Assembly 53547-96-M & 53548-108-M			
Item	Part	Description	Quantity
1	53547-01-B	Flare, Driver Side 96"	1
2	53548-01-B	Flare, Driver Side 108"	1
3	53547-02-B	Flare, Curb Side 96"	1
4	53548-02-B	Flare, Curb Side 108"	1
5	HH-00293-028	5/16-18x1 HHCS	14
6	HH-00340-017	5/16-18 Locknut	14
7	HH-00341-003	5/16 Flatwasher	28
8	53612-M	Centar Deflector	1

**Installation Instruction**

1. Remove the existing deflectors from the blade and hardware. Using 5/16" bolt (5), flatwashers (7) and locknuts (6) install the flares on the both sides of blade.
2. Drill 5/16" holes through the top angle of the blade using 5/16" holes in the flares as guides. After drilling holes secure the flares with 5/16 bolts, flatwashes and locknuts.
3. Install removed deflectors on the both flares using existing hardware.

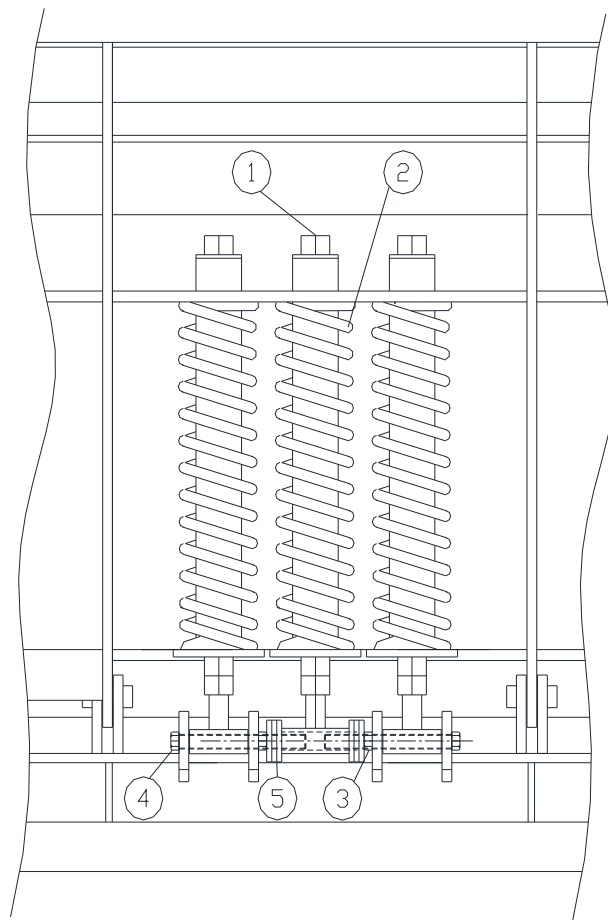


Arctic Equipment Manufacturing Corporation reserves the right under its product improvement policy to change construction or design details and furnish equipment when so altered without reference to illustrations or specifications used.



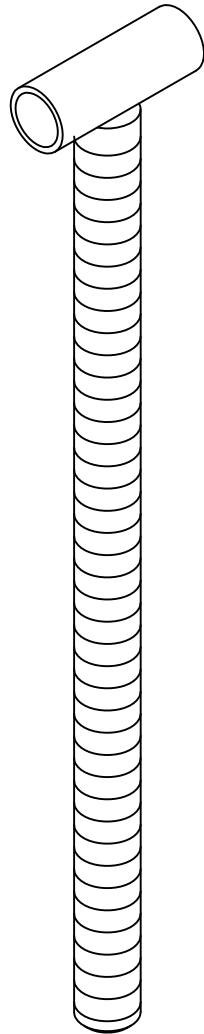
# Third Spring Installation Kit 53014-M & Spring Installation Tool 53031-M

Third Spring Installation Kit			
Item	Part Number	Description	Quantity
1	52440-C	Spring Tube assembly	2
2	52441-M	Trip Edged spring	2
3	HH-00540-004	½" UNF Locknut	4
4	53015-N	½" UNF Bolt 5" long	4
5	HH-00341-006	Washer, ½"	12

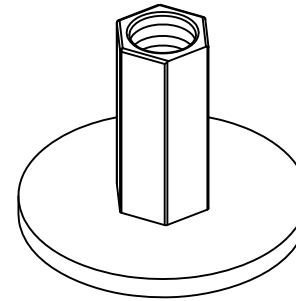


Arctic Equipment Manufacturing Corporation reserves the right under its product improvement policy to change construction or design details and furnish equipment when so altered without reference to illustrations or specifications used.

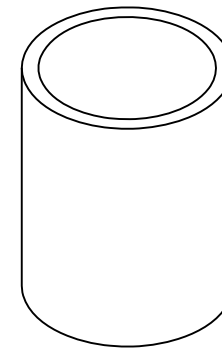
## Trip Edge Spring installation tool 53031-M



$\frac{3}{4}$ " stud  
part # 53034-A



Top Plate (with hex coupling)  
part # 53033-A



Tube  
part # 53032-N

## Spring Removal

### Warning:

1. Before you start assembling/ disassembling a trip edge spring inspect all parts for physical damage (threads, welds etc.)  
Check that there is not any cracks in welds. If you see any signs of damage, a part must be replaced.
2. Never stand in the front of the spring through assembly or disassembly.  
Spring is under compression and if released may cause injury or death.

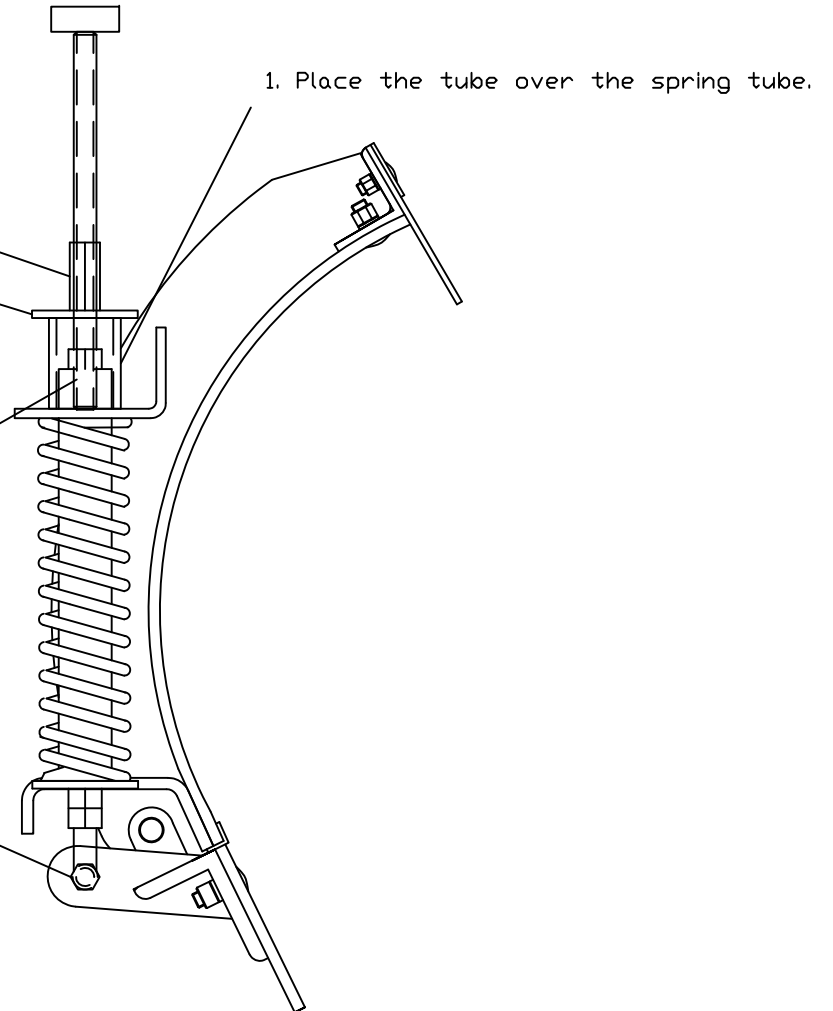
2. Install the top plate on the  $\frac{3}{4}$ " stud and screw the  $\frac{3}{4}$ " stud into the spring tube minimum 2".

3. Be sure that the top plate is tight against the tube.

4. Slowly turn the hex coupling to release pressure from the spring.

5. Remove the  $\frac{1}{2}$ " nut and be sure that all tension is taken by the  $\frac{3}{4}$ " stud. If all tension is taken remove the  $\frac{1}{2}$ " bolt.

6. Slowly turn the hex coupling to release pressure from the spring. Note: Be sure when you are turning the hex coupling, that the  $\frac{3}{4}$ " stud DOES NOT turn.



## Spring Installation

### Warning:

1. Before you start assembling/ disassembling a trip edge spring inspect all parts for physical damage (threads, welds etc.) Check that there is not any cracks in welds. If you see any signs of damage, a part must be replaced.
2. Never stand in the front of the spring through assembly or disassembly. Spring is under compression and if released may cause injury or death.

1. Place the tube over the hole in the spring bracket where the spring tube will go trough.

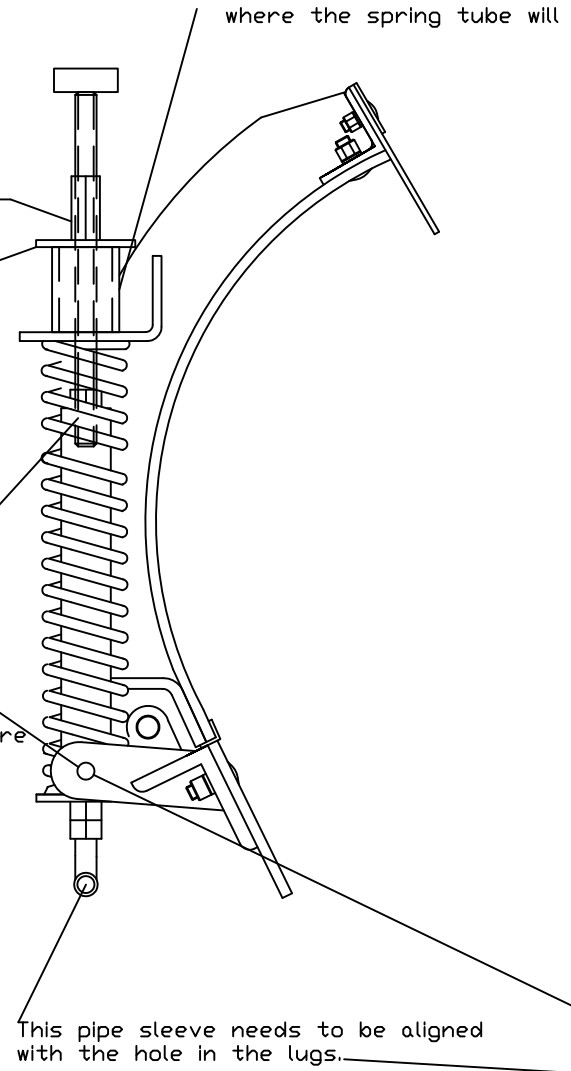
2. Install the top plate on the  $\frac{3}{4}$ " stud and screw the  $\frac{3}{4}$ " stud into the spring tube minimum 2".

3. Be sure that the top plate is tight against the tube.

4. Slowly turn the hex coupling to apply pressure to the spring till bottom of the spring tube (the pipe sleeve) is aligned with holes in the lugs (Note: The spring tube is going to be pulled up through the spring bracket). Note: Be sure when you are turning the hex coupling, that the  $\frac{3}{4}$ " stud **DOES NOT** turn.

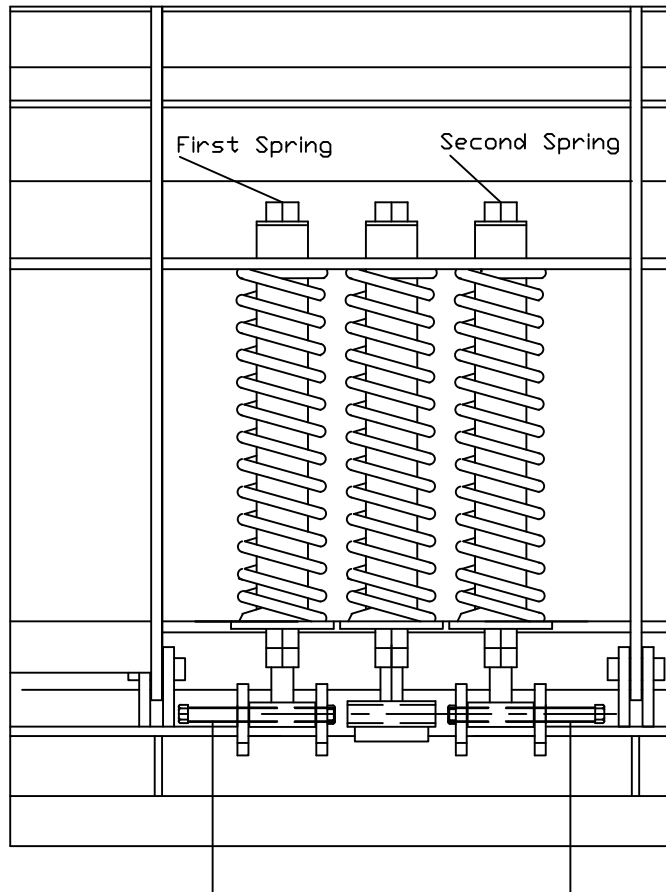
5. When the pipe sleeve (on the bottom of the spring tube) is aligned with the hole in the lugs, insert the  $\frac{1}{2}$ " bolt and secure it with the  $\frac{1}{2}$ " nut.

6. When the  $\frac{1}{2}$ " bolt is installed the spring installation tool can be removed.

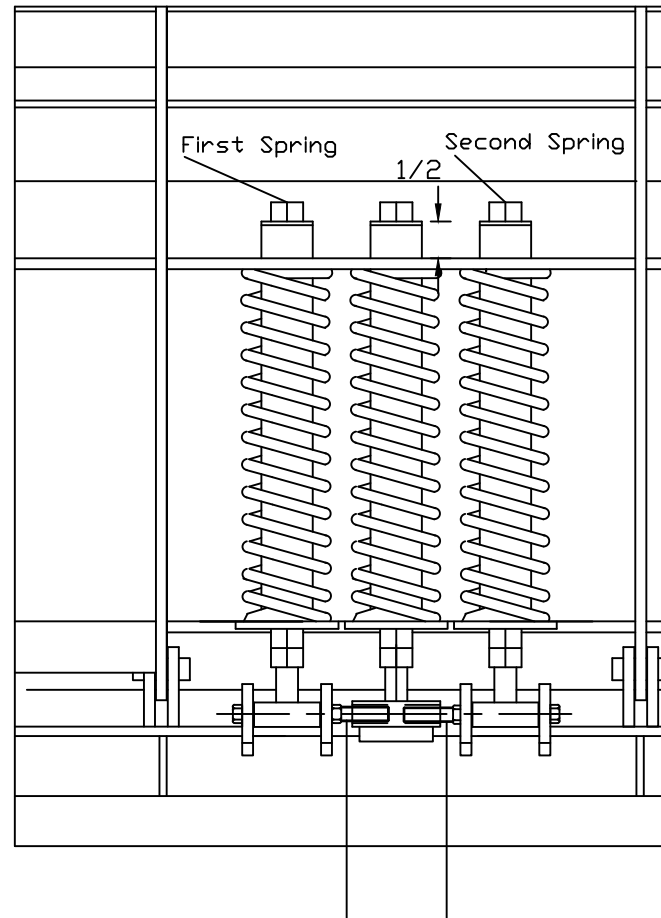


This pipe sleeve needs to be aligned with the hole in the lugs.

Drawing #1



Drawing #2



## Third Spring Installation

### Installation of the third spring:

1. Install the spring installation tool on the first spring as shown on the page 4 and remove existing the  $\frac{1}{2}$ " bolt and the nut. Install the  $\frac{1}{2}$ " x 5" bolt so that it just passes through the second lug. Install the  $\frac{1}{2}$ " lock nut on to the first few threads of the bolt that are past the second lug (see drawing #1).
2. Repeat same procedure with the second spring.
3. Install the third spring as shown on page 5 and screw both  $\frac{1}{2}$ " x 5" bolts inside of the spring tube (pipe sleeve drawing #2).