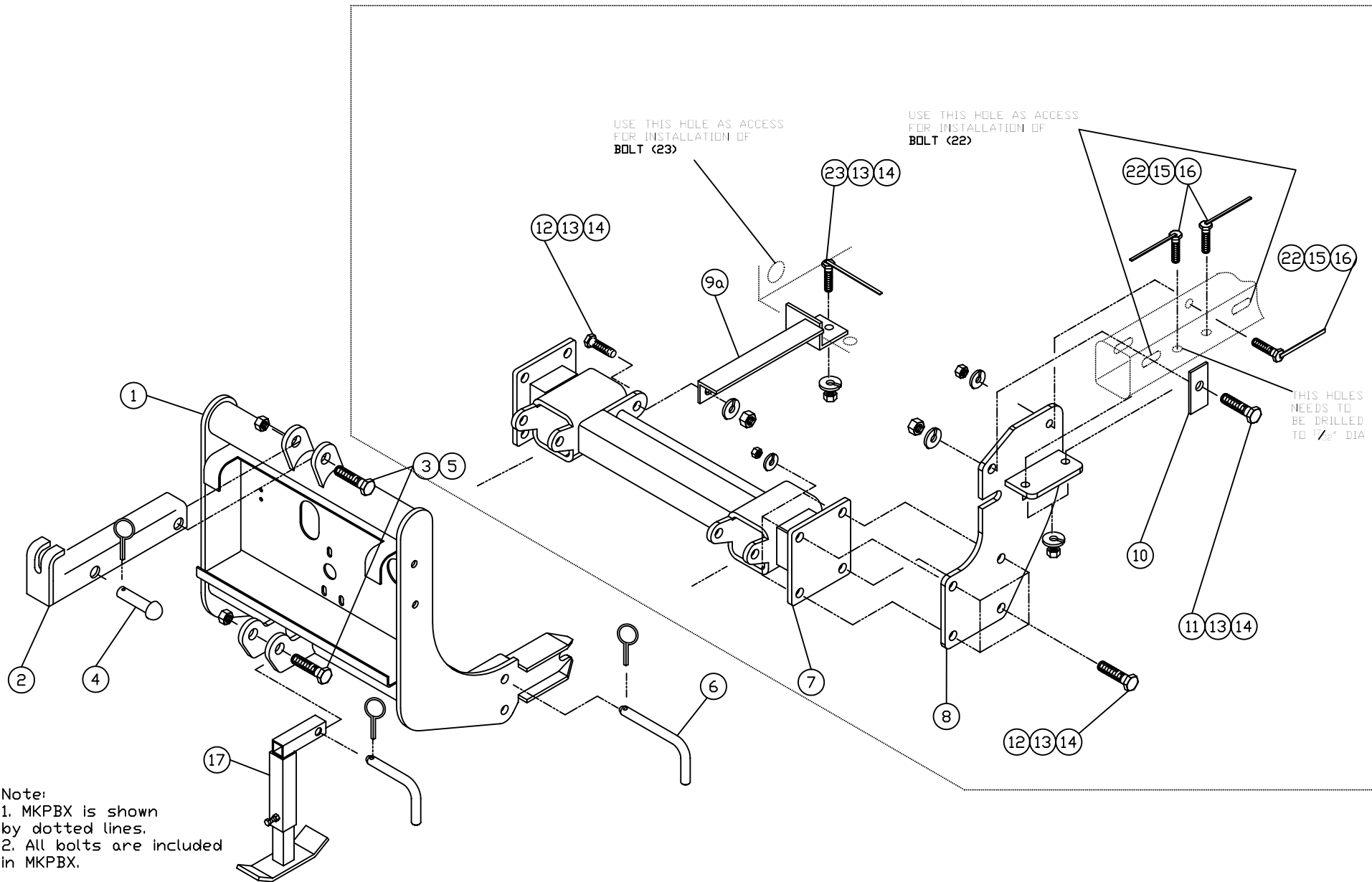


MOUNTING KIT

Chevrolet Colorado (2004-2006)
GMC Canyon (2004-2006)

53095-MKPBX

MOUNTING KIT 53095-MKPBX



Arctic Equipment Manufacturing Corporation

Mounting kit 53095-MKPBX

53095-MKPBX R03

INST0080

Mounting Kit 53095-MKPBX				
Item	Part #	Description	MKPBX	X-MKB
1	52638-D	Lift Frame		1
2	50069-C	Lift Channel		1
3	HH-00972-153	3/4"x3 1/2" UNF Cap screw	2	
4	52757-M	Rivet Ass'y (rivet & lynch pin)		1
5	HH-00973-007	3/4" UNF Thin Collar Locknut	2	
6	1302045	Pin assembly		2
7	53096-D	Spreader bar 25 7/8"	1	
8	53098-01-B	Mounting bracket driver side	1	
8a*	53098-02-B	Mounting bracket curb side	1	
9*	53103-01-B	Thrust arm driver side 14.5"	1	
9a	53103-02-B	Thrust arm curb side 14.5"	1	
10	53102-M	Washer plate	2	
11	HH-00972-139	5/8" x 4.5" UNF Cap Screw	2	
12	HH-00972-129	5/8" x 1 3/4" UNF Cap Screw	10	
13	HH-00457-003	5/8" Lock washer	14	
14	HH-00460-001	5/8" Hex Nut	14	
15	HH-00460-002	1/2" Hex nut	6	

Arctic Equipment Manufacturing Corporation

Mounting kit 53095-MKPBX

53095-MKPBX R03

INST0080

Mounting Kit 53095-MKPBX				
Item	Part #	Description	MKPBX	X-MKB
16	HH-00457-001	½" Lock washer	6	
17	52671-M	Jack Assembly (with lynch pin)		1
18*	HH-00293-006	1/4"x1" UNC Cap screw	4	
19*	HH-00294-001	1/4" Hex Nut	4	
20*	HH-00457-006	1/4" Lock washer	4	
21*	50999-B	Blade Guides		2
22	52575-A	½" bolt with 6" handle	6	
23	52575-05-A	5/8" bolt with 10" handle	2	

Note: * These items are not shown on the drawing.

GENERAL**Customer must be aware of following:**

Arctic Equipment Manufacturing Corporation (Arctic) does not assume liability for damage to your motor vehicle resulting from the attachment or use of an Arctic snowplow. The purchaser assumes all vehicle risk associated with the attachment and operation of this snowplow.

The Arctic snowplow you purchase must be used only on vehicles equipped with the manufacturer's snow plow preparation package. Snow plowing without the original plow preparation package may damage your vehicle. The added weight may impair the operation and control of your vehicle. Snow plowing with a vehicle not recommended for that purpose by the manufacturer may void your new vehicle warranty. If your vehicle is not equipped with an original snow plow preparation package, additional equipment may be necessary before snow plowing. The installation of such parts however is not a full

substitute for the original equipment snowplow preparation package. Please consult your vehicle and snowplow dealers prior to the purchase and installation of the snowplow.

Before drilling any holes in the firewall or frame, move brake lines, fuel lines and/or electrical wiring from the path of the drill. Brake and fuel lines must also be clear of any fasteners.

All bolts should be installed from the inside of the truck frame so that the lock washers and nuts are accessible for re-tightening (where it is possible).

If a slotted hole in the truck frame is utilized, then a flat washer must be used under the bolt head. If a flat washer is used under a lock washer use LOCTITE #242. Also use LOCTITE #242 if existing (vehicle) bolts and nuts are used.

General order of installation:

- install all components (mounting bracket, thrust arms) and all fasteners finger tight (snug) through existing holes,
- drill necessary holes and
- tighten all hardware.



After first use, re-tighten all mounting bolts, thereafter check mounting bolt tightness periodically and at the start of the season.

For easier installation, grind only the paint out of the top holes of the mounting bracket and the top hole of the lift frame, where the mounting pins will go.

Before proceeding, read instructions carefully and familiarize yourself with the components and hardware.

INSTALLATION INSTRUCTIONS

1. Remove splash pan.
2. Install mounting bracket (8)(8a) to the vehicle frame using two ½" bolts with welded handle (22), ½" lock washers (16) and ½" hex nuts (15)(one bolt through the bottom of the mounting bracket and one bolt through the side).
3. Using 9/16" hole on the bottom of mounting bracket (8)(8a) as guide drill 17/32" hole in the frame. Install ½" bolt with welded handle (22), ½" lock washer (16) and ½" hex nut (15) through that drilled hole. Install 5/8" bolt (11), washer plate (10), 5/8" lock washer (13) and 5/8" hex nut (14). Note: Finger tighten all bolts.
4. Install spreader bar (7) using 5/8" x 1 3/4" bolts (12), lock washer (13) and nut (14) to the mounting bracket (8)(8a).
5. Install thrust arm (9)(9a) to the truck cross member using 5/8" bolt with welded handle (23), 5/8" lock washer (13) and 5/8" hex nut (14). Fasten the thrust arm (9)(9a) to the spreader bar lug using 5/8" bolt (12), 5/8" lock washer (13) and 5/8" hex nut (14).
6. Torque all fasteners according to torque chart.
7. Install lift frame (1). Slide lift frame (1) inside of spreader bar (7). Insert mounting pin (6) in top holes of the spreader bar (7).
8. Fasten lift channel (2) and lift cylinder to the lift frame (1) using 3/4"x3 ½" bolts (3) and 3/4" locknut (5). Use 3/4" rivet and lynch pin (4) to attach lift cylinder (lift cylinder needs to be installed after power unit is installed). NOTE: *Do not over tighten as this assembly must be able to pivot.*
9. Torque all fasteners according to torque chart.
10. Use 1/4"x1" bolt (18), 1/4" lock washer (20) and 1/4" hex nut (19) to fasten blade guides (21) to plow.
11. See separate installation instructions for the hydraulic pump, wiring and controls.

TORQUE CHART (FT. LB.)		
SIZE	GRADE 5 BOLT 	GRADE 8 BOLT 
$\frac{1}{4}$ - 28	8	11
$\frac{5}{16}$ - 24	15	22
$\frac{3}{8}$ - 24	28	40
$\frac{7}{16}$ - 20	44	63
$\frac{1}{2}$ - 20	69	97
$\frac{5}{8}$ - 18	138	195
$\frac{3}{4}$ - 16	241	341

Note: Torque values are for plated bolts only