

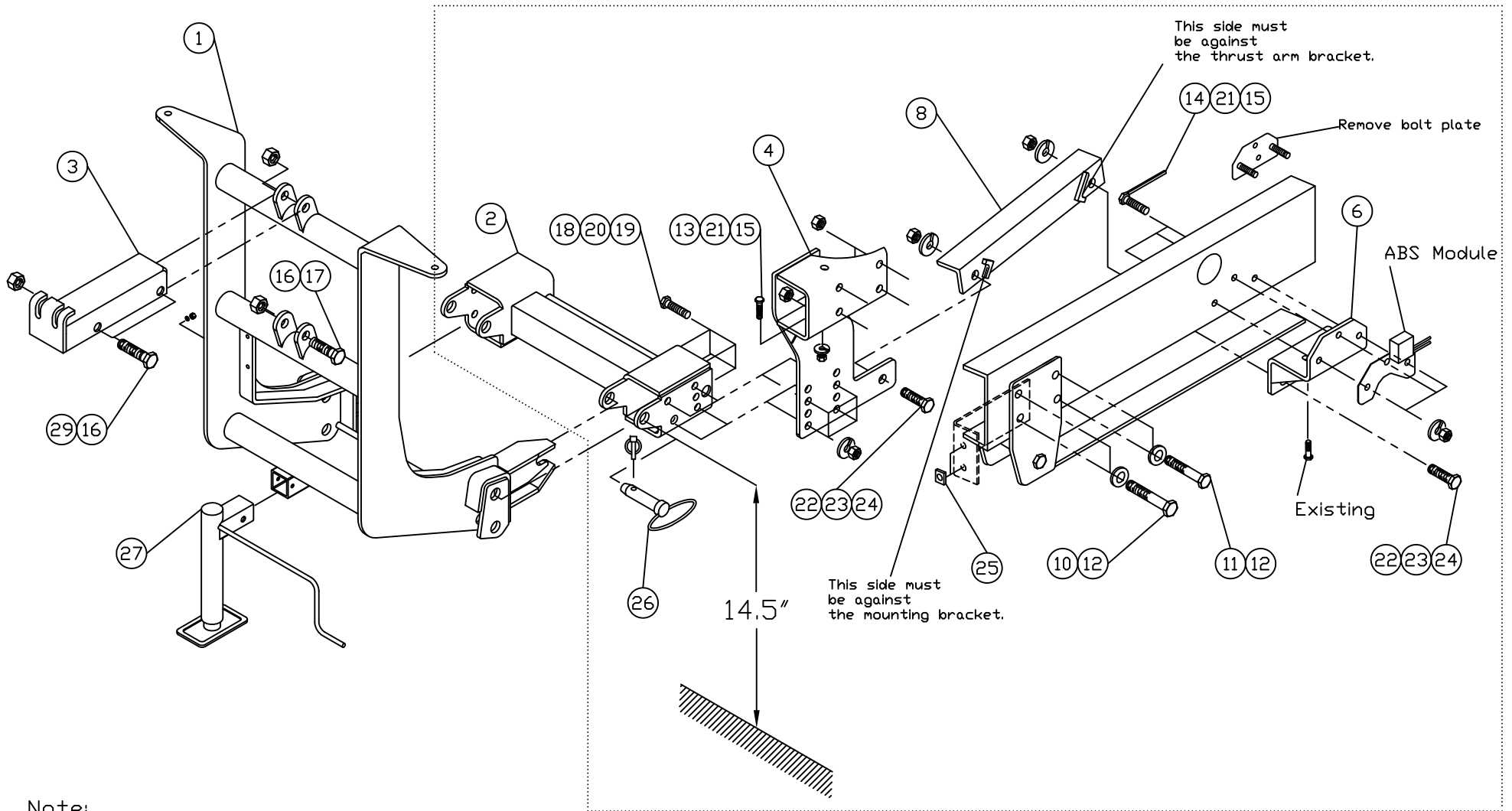
# **MOUNTING KIT**

## **52928-MKPB**

GM 4500, 5500 (4x2) (2003 - 2010)

**Note:** For the snowplow lights this kit requires: 800067 or 800037AXV Light kit, and Adapter kit 767051 (vehicle's bulb # 4651, 4652, H4651, H4656) **may be required**

# MOUNTING KIT 52928-MKPB-QLII



**Note:**

1. MKPB QLII is shown by dotted lines.
2. All bolts are included in MKPB QLII
3. Please use LOCTITE®, or similar locking product on ALL mounting hardware (bolts, nuts, etc.).

**Arctic Equipment Manufacturing Corporation**  
**Mounting kit 52928-MKPB**

52928-MKPB R04  
INST0061

<b>52928-MKPB QLII</b>				
<b>Item</b>	<b>Part #</b>	<b>Description</b>	<b>MKPB-QLII</b>	<b>QLII-HI-DLC</b>
1	53171-D-GA	Lift Frame, QUIK*LINK ® II-Hi boy Galvanized		1
2	52363-C	Spreader Bar QLII	1	
3	52612-B-GA	Lift Channel (2" cylinder) Galvanized		1
4	52929-01-C	Mounting Bracket Driver Side	1	
5*	52929-02-C	Mounting Bracket Curb Side	1	
6	52932-01-B	Thrust Arm Bracket Driver Side	1	
7*	52932-02-B	Thrust Arm Bracket Curb Side	1	
8	52934-01-B	Angle Arm Driver Side	1	
9*	52934-02-B	Angle Arm Curb Side	1	
10	HH-01081-134	5/8" NC x 3" grade 8 bolt	4	
11	HH-01081-130	5/8" NC x 2" grade 8 bolt	4	
12	HH-01050-020	5/8" Lock nut Grade C	8	
13	HH-01081-092	½" x 2" Grade 8 bolt	2	
14	52941-A	½" Grade 8 bolt with handle	6	
15	HH-01025-005	½" Nut grade 8	8	
16	HH-00973-007	3/4" UNF Thin Collar Lock nut	3	

**Arctic Equipment Manufacturing Corporation**  
**Mounting kit 52928-MKPB**

52928-MKPB R04  
INST0061

52928-MKPB QLII				
Item	Part #	Description	MKPB-QLII	QLII-HI-DLC
17	HH-00972-153	3/4"x 3 1/2" UNF Cap screw	1	
18	HH-00972-130	5/8"x 2" Cap screw	8	
19	HH-00460-001	5/8" UNF Hex Nut	8	
20	HH-00457-003	5/8" Lock washer	8	
21	HH-00457-001	1/2" Lock washer	8	
22	HH-00972-147	3/4" x 2" UNF Cap screw	4	
23	HH-00457-008	3/4" Lock washer	4	
24	HH-00460-007	3/4" UNF Hex Nut	4	
25	52940-A	Spacer	4	
26	52348-M	Mounting Pin Ass'y		2
27	52373-M	Jack Assembly		1
28*	50999-B	Blade guides		2
29	HH-00972-155	3/4" x 4" UNF Cap screw		2
30*	HH-00341-002	1/4" Flat washer	4	
31*	HH-00294-001	1/4" Hex Nut	4	
32*	HH-00293-006	1/4"x1" UNC Cap screw	4	

QUIK\*LINK is a trademark of Arctic Equipment Manufacturing Corporation

**Note:** \* These items are not shown on the drawing.

## GENERAL

### **Customer must be aware of following:**

Arctic Equipment Manufacturing Corporation (Arctic) does not assume liability for damage to your motor vehicle resulting from the attachment or use of an Arctic snowplow. The purchaser assumes all vehicle risk associated with the attachment and operation of this snowplow.

The Arctic snowplow you purchase must be used only on vehicles equipped with the manufacturer's snow plow preparation package. Snow plowing without the original plow preparation package may damage your vehicle. The added weight may impair the operation and control of your vehicle. Snow plowing with a vehicle not recommended for that purpose by the manufacturer may void your new vehicle warranty. If your vehicle is not equipped with an original snow plow preparation package, additional equipment may be necessary before snow plowing. Please consult your vehicle and snowplow dealers prior to the purchase and installation of the snowplow. The installation of such parts however is not a full substitute for the original equipment snowplow preparation package.

Before drilling any holes in the firewall or frame, move brake lines, fuel lines and/or electrical wiring from the path of the drill. Brake and fuel lines must also be clear of any fasteners.

All bolts should be installed from the inside of the truck frame so that the lock washers and nuts are accessible for re-tightening (where possible).

If a slotted hole in the truck frame is utilized, then a flat washer must be used under the bolt head. If a flat washer is used under a lock washer use LOCTITE #242. Also use this LOCTITE #242 if existing (vehicle) bolts and nuts are used.

General order of installation:

- install all components (mounting bracket, thrust arm and spreader bar) and all fasteners finger tight (snug) through existing holes,
- drill necessary holes and
- tighten all hardware.

**After first use, re-tighten all mounting bolts**, thereafter check mounting bolt tightness periodically and at the start of the



season.

Before proceeding, read instructions carefully and familiarize yourself with the components and hardware.

### **INSTALLATION INSTRUCTIONS**

1. Remove the bumper from the truck.
2. Remove four bolts and nuts connecting the bumper bracket, a tow hook, and a leaf spring bracket to the side of the frame. Tow hooks need to be removed. Also remove front bolt and nut connecting the leaf spring bracket and the bottom of the driver side frame. Install the mounting brackets (4) (5) using 5/8" x 3" bolts (10), 5/8" lock nut (12) in the front, and 5/8" x 2" (11), 5/8" lock nut (12) at the back and 1/2" x 2" bolt (13), 1/2" lock washer (21) and 1/2" nut (15) through the bottom of the mounting brackets (4)(5).
3. Remove four bolts connecting the ABS module to the driver side frame rail. Also remove existing bolt plate from the inside of the frame rail. Remove one bolt in the bottom of the frame rail directly below ABS module (front bolt). Slide thrust arm bracket (6) into place and secure it using existing bolt in the bottom of the rail frame. Insert three 1/2" bolt with welded handle (14) and install ABS module plate on the thrust arm bracket (6). Secure thrust arm bracket and ABS plate with 1/2" lock washers (21) and 1/2" nuts (15).
4. Install the thrust arm bracket (7) on the curb side of the vehicle using same procedure (there is no ABS module on the curb side).
5. Install the angle arm (8) (9) as shown on the drawing. Secure the angle arm to the mounting bracket and to the thrust arm using 3/4" bolts (22), 3/4" lock washers (23) and 3/4" nuts (24).
6. Install spreader bar (2), using 5/8" bolts (18), 5/8" lock washers and 5/8" nuts. The spreader pin hole should be located 14-1/2" (+/- 1/2") off the ground.
7. Tighten all fasteners. Reinstall the bumper using spacer (25).

8. Slide lift frame (1) inside of spreader bar (2). Insert mounting pin (26) in the top holes of the spreader bar (2).
9. Install plow lamps so that the stud is through the top hole in the lift frame (1).
10. Tighten all light mounting hardware.
11. Fasten lift channel (3) to the lift frame (1) using 3/4" x 4" bolt (29) and 3/4" locknut (14). Attach the lift cylinder to the lift frame (1) using 3/4" x 3 1/2" bolts (13) and 3/4" locknut (14). Use 3/4" x 4" bolt (29) and 3/4" locknut (14) to attach lift cylinder to lift channel. **NOTE:** Do not over tighten as this assembly must be able to pivot.
12. Use 1/4"x1" bolt (22), 1/4" flat washer (23), 1/4" lock washer (24) and 1/4" hex nut (25) to fasten blade guides to plow.
13. Return any unused items to the customer so that the vehicle can be returned to its original condition if the snowplow is removed.
14. See separate installation instructions for the hydraulic power unit, wiring and controls.

TORQUE CHART (FT. LB.)		
SIZE	GRADE 5 BOLT 	GRADE 8 BOLT 
1/4 - 28	8	11
5/16 - 24	15	22
3/8 - 24	28	40
7/16 - 20	44	63
1/2 - 20	69	97
5/8 - 18	138	195
3/4 - 16	241	341
<i>Note: Torque values are for plated bolts only</i>		