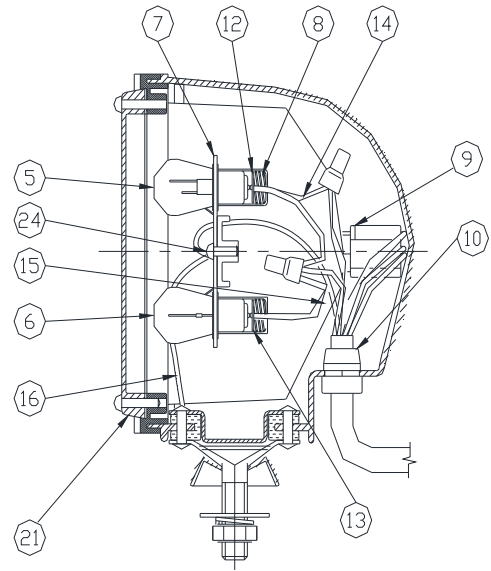
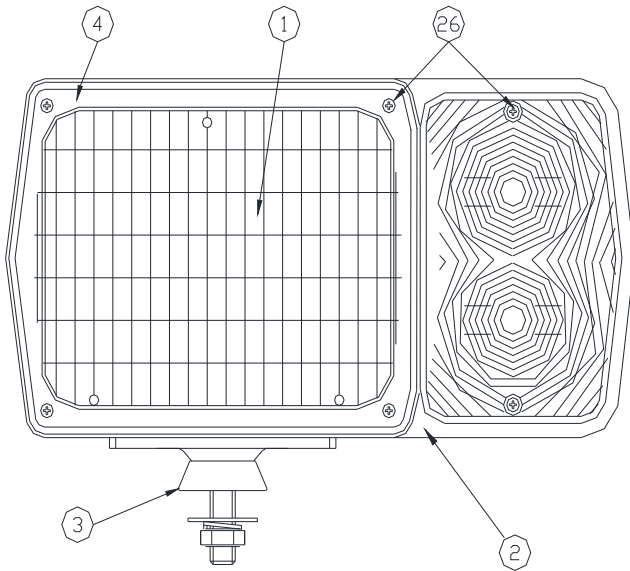


Rectangular Light Kit 800084

(sealed beam)

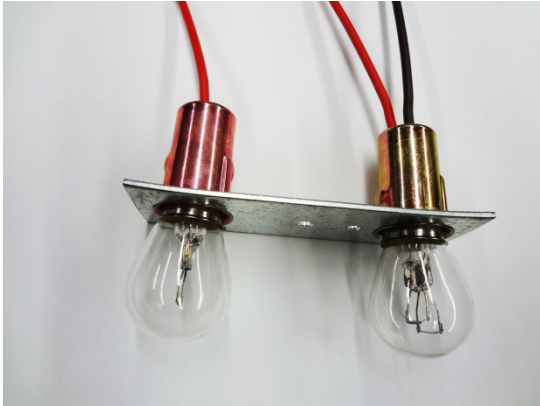
Click on the link <https://www.youtube.com/watch?v=2a6QV3shofY> to watch the installation video of 800084 sealed beam headlights.

Click on the link <https://www.youtube.com/watch?v=LJlgbdwop8Q> to watch the troubleshooting video of 800084 sealed beam headlights.



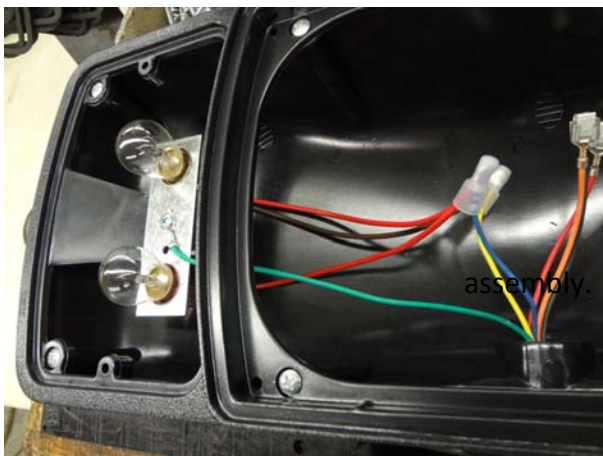
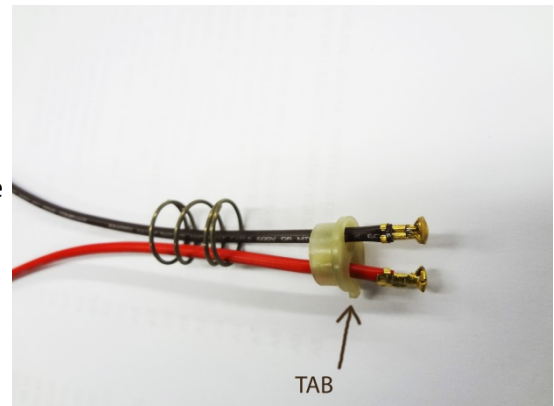
Light kit (sealed beam) 800084			
Item	Part number	Description	Quantity
1	465091XV	Seal beam	1
2	732467	Amber lens	1
3	739006	Mounting swivel assembly	1
4	298110-36	Seal beam retaining ring	1
5	460028	Double contact bulb	1
6	460027	Single contact bulb	1
7	280392-00	Socket and bracket assembly	1
8	535003	Spring	2
9	420943	Seal beam connector	1
10	190055	Strain relief bushing	1
12	320185-01	Double contact disc	1
13	320104-01	Single contact disk	1
14	520014-09	Brown wire 7"	1
15	520013-11	Red wire 7"	2
16	520019-84	Black wire ground	1
19	251098-00	Housing and grommet assembly LH	1
20	251099-01	Housing and grommet assembly RH	1
21	251104-66	Bezel	1
22	410197	Gasket for amber lens	1
23	410198	Gasket for seal beam	1
24	124002-01	Screw, #8 x 5/8", pan head	1
25	124090-02	Screw, #8 x 1", pan head	6
26	124713-00	Screw, #8 x 1 1/4", pan head	6
27	421061-02	Light Harness	1

Arctic Equipment Manufacturing Corporation reserves the right under its product improvement policy to change construction or design details and furnish equipment when so altered without reference to illustrations or specifications used.



Dual contact bulb (red and brown wire) and single contact bulb (red wire).

Double contact disk (red wire must be close to the tab).



- Blue wire (turn) connect to red wires
- Yellow wire (park) connect to brown wire
- Green wire (ground) to be attached to the socket

- Seal beam connector (back view):
- Orange wire (ground)
 - Black wire (low)
 - Red wire (high)

