

# Light Kit 800076-D

(one piece harness)



800076-D

lights



800076-D

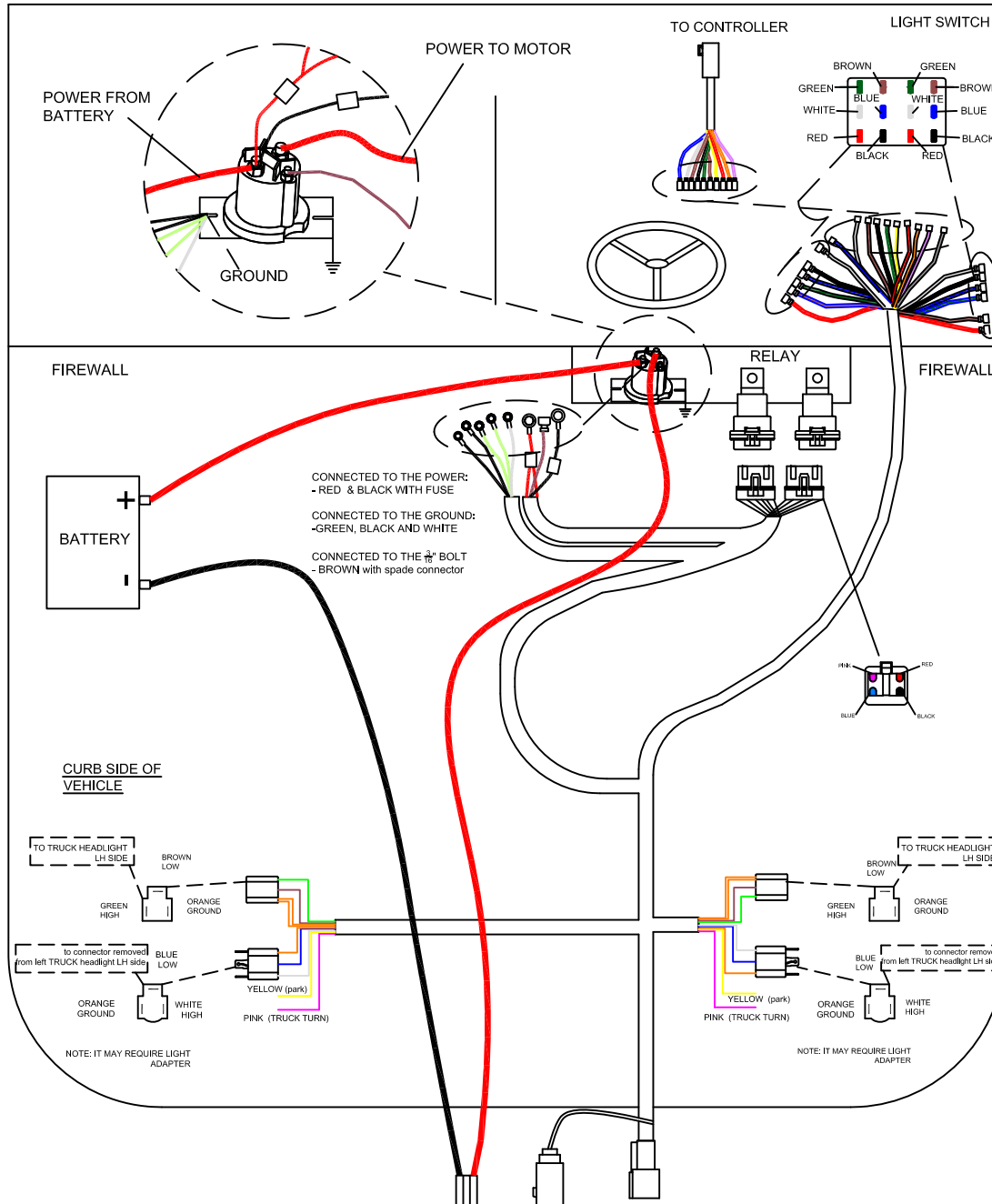
lights



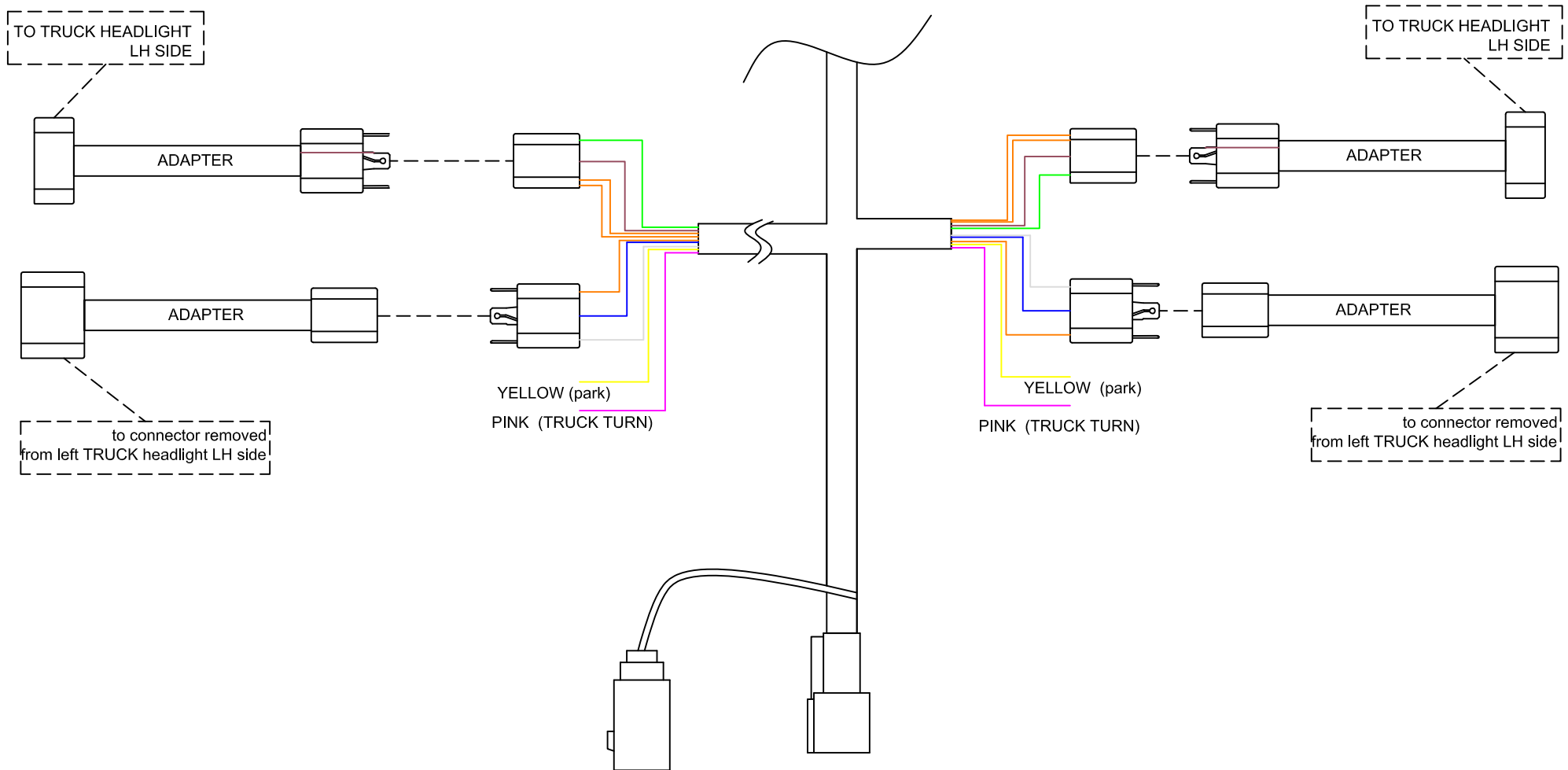
53624-B

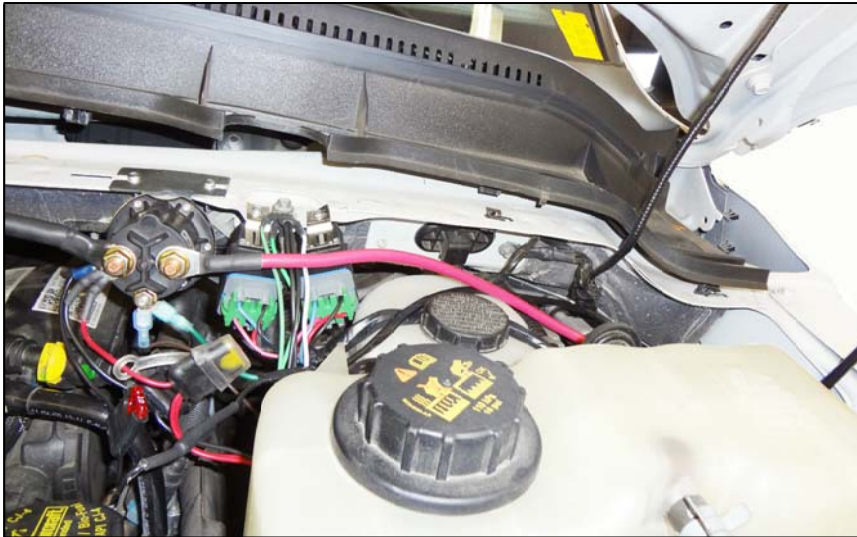
One piece harness

Light Kit 800076-D			
Item	Part #	Description	Quantity
1	52018-M	Light Bracket Switch Kit (includes item #2,#3)	1
2	52018-01-A	Light Bracket	1
3	HH-00455-007	#8 x 3/4 Square Drive Pan Screw	2
4	184069-12	12 Pole Light Switch Kit (includes item #5,#6,#7)	1
5	420801-12	12 Pole light Switch	1
6	330029	Grommet	1
7	761371-99	Connector	4
8	53470-B	Underhood Harness	1
9	800073-01-D	Low Beam Halogen Bulb H7 55W	1
10	800073-02-D	High Beam Halogen Bulb H1 55W	1
11	800074	Amber Signal Bulb	1
12	53469-B	Light Harness	1
13	800041	Relay	2

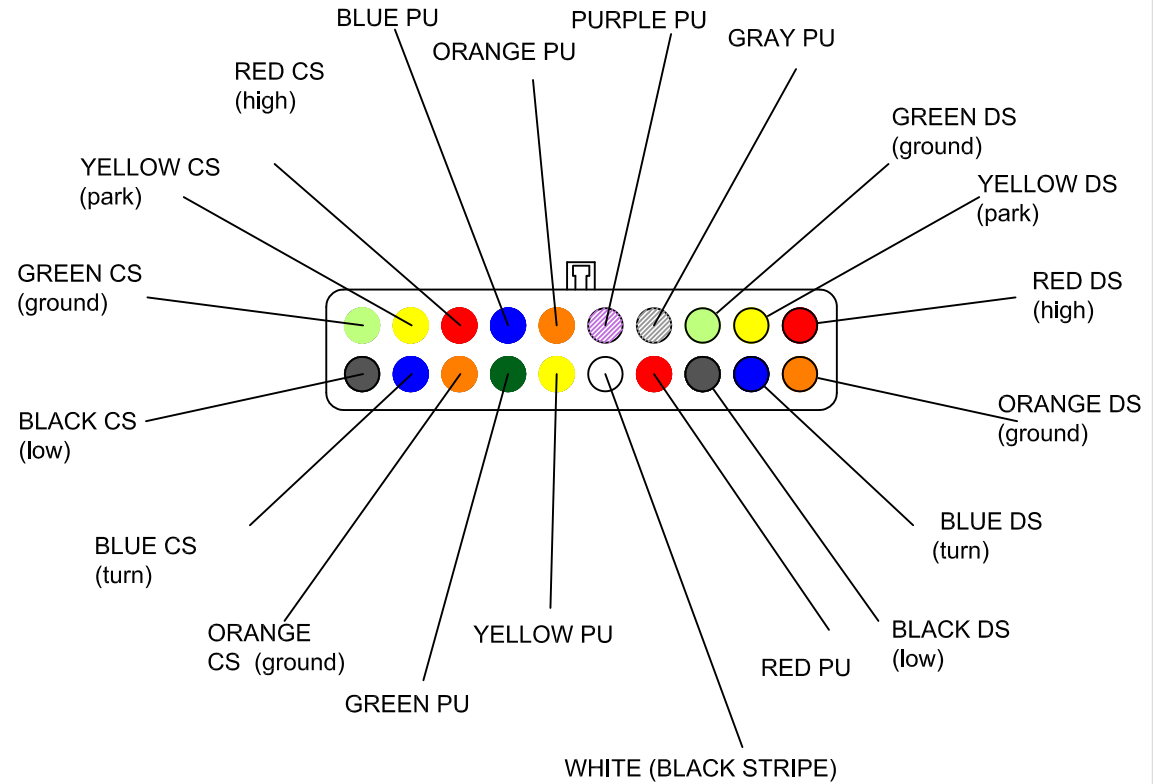


## IF THE VEHICLE REQUIRES LIGHT ADAPTERS





Install a solenoid and relays on the driver side (as shown on the picture). Ensure that solenoid is grounded; if necessary run 16-14 gauge wire from battery ground to the base of a solenoid.



## ONE PIECE HARNESS TRUCK SIDE

LEGEND: - PU power unit  
 - DS driver side (light)  
 -CS curb side (light)

## Lights Installation

1. Snow Plow Lamps should be mounted in the desired location on the snowplow frame ensuring that the snow plow lamp beams are not obstructed by any portion of the plow or vehicle.

### 2. WIRING INSTALLATION - Refer to diagram

NOTE: Prior to lamp/harness assembly, please apply provided lithium grease to snowplow lamp plugs on under hood harnesses, ensuring all connections are thoroughly covered (adapters only). Neglecting to grease plugs will drastically reduce operating life of plow lamps/harnesses and will void manufacturer's warranty.

a) Plug a headlamp harness adapter leads from conversion kit (if required) into sealed beam connectors the wiring harnesses (53470-B).

b) Plug above assemblies into vehicle lamps.

c) Plug power harness adapter leads from conversion kit (if required) into matching 3 prong plug on a wiring harnesses (53470-B).

d) Plug above assemblies into OEM harnesses removed from vehicle lamps.

e) Referring to wiring diagram, complete wiring connections of turn signal and parking lights to vehicle's electrical lighting system using Quick-Splice connectors included in bagged parts.

f) Drill a hole in the firewall at the most convenient location (driver side). Apply a silicone in the drilled hole to protect wire insulation.

g) Pull wire harnesses through firewall from the engine compartment into the cab.

h) Referring to wiring diagram, connect 6 female tab connectors (x2) to twelve pole switch as shown below.

i) Select suitable location on dash to mount the toggle switch bracket.

j) Apply switch identification label to dash by removing protective backing from label and pressing label over switch hole. Make sure switch is positioned with respect to label so that snowplow lamps are "ON" when toggle switch is in the upper position.

k) Remove knurled nut from the toggle switch; insert switch through the hole in the toggle switch bracket and re-install the knurled nut. Tighten nut securely.

3. Check for proper operation. Turn on headlight switch and check that with toggle switch in lower position, only the vehicle headlamps are on. With toggle switch in upper position, only the snowplow headlamps should be on. Dimmer switch should select high and low beams on both headlamps. Turn signal lamps should be on in same sequence and at same time as vehicle turn signal lamps. Parking lamps should be on at same time as vehicle parking lamps. If any lamp does not operate correctly, re-check wiring against wiring diagram and make necessary corrections in wiring hookup. Adjust the plow lamp beams to project the same distance ahead of the vehicle as compared to the original headlights.

4. Installer of these snow plow lamps must certify that installation conforms to applicable Federal Motor Vehicle Safety Standards.

NOTE: Daytime Running Lights will work on both plow and truck lights.

Arctic Equipment Manufacturing Corporation reserves the right under its product improvement policy to change construction or design details and furnish equipment when so altered without reference to illustrations or specifications used.