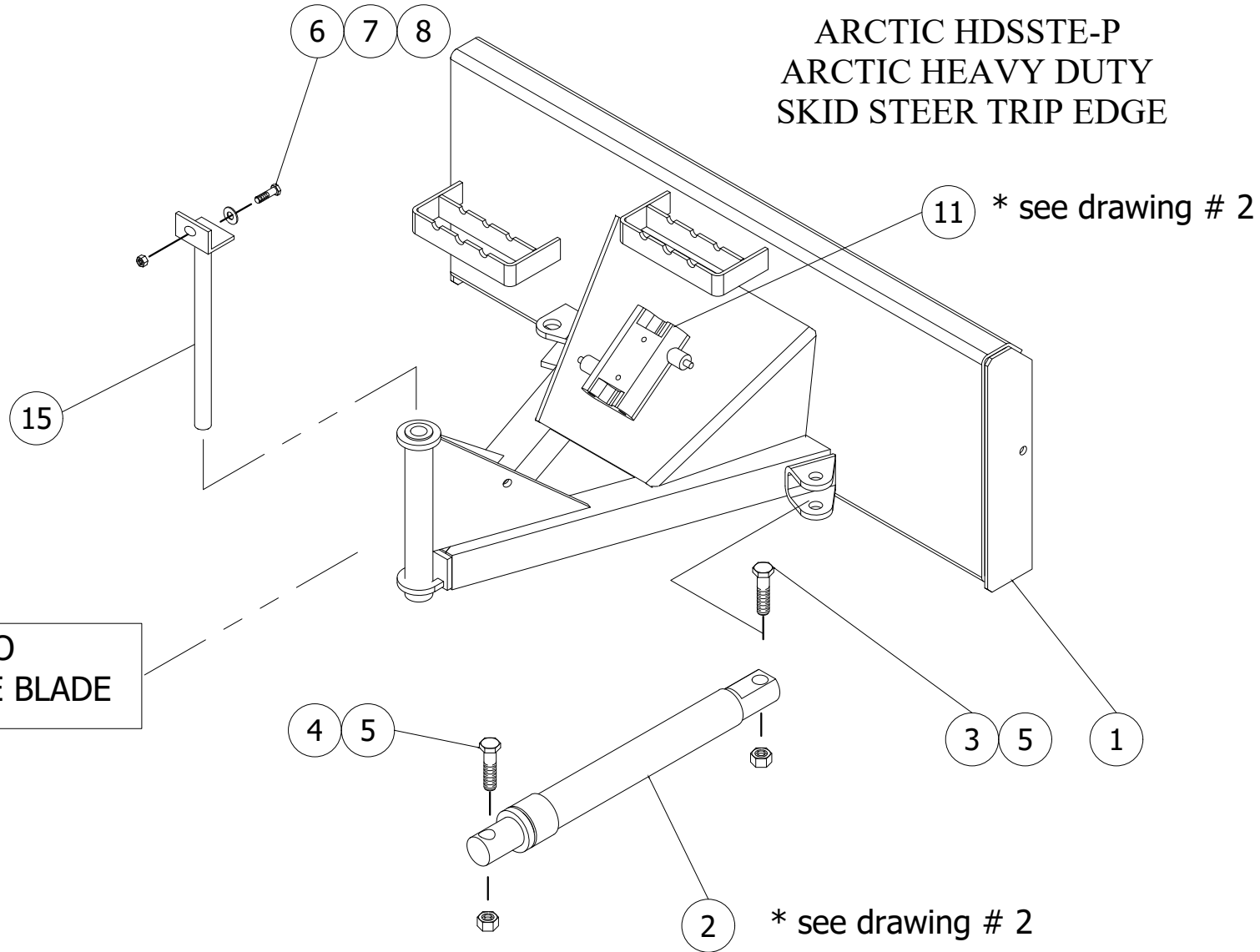
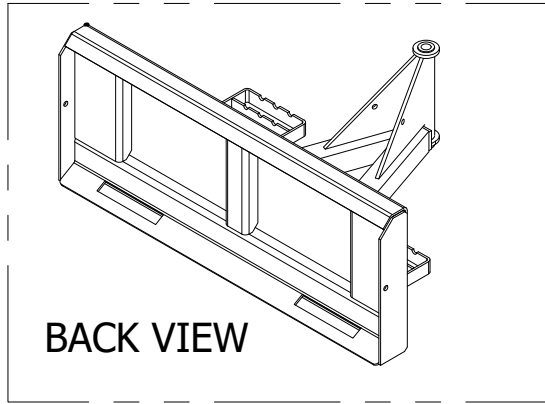
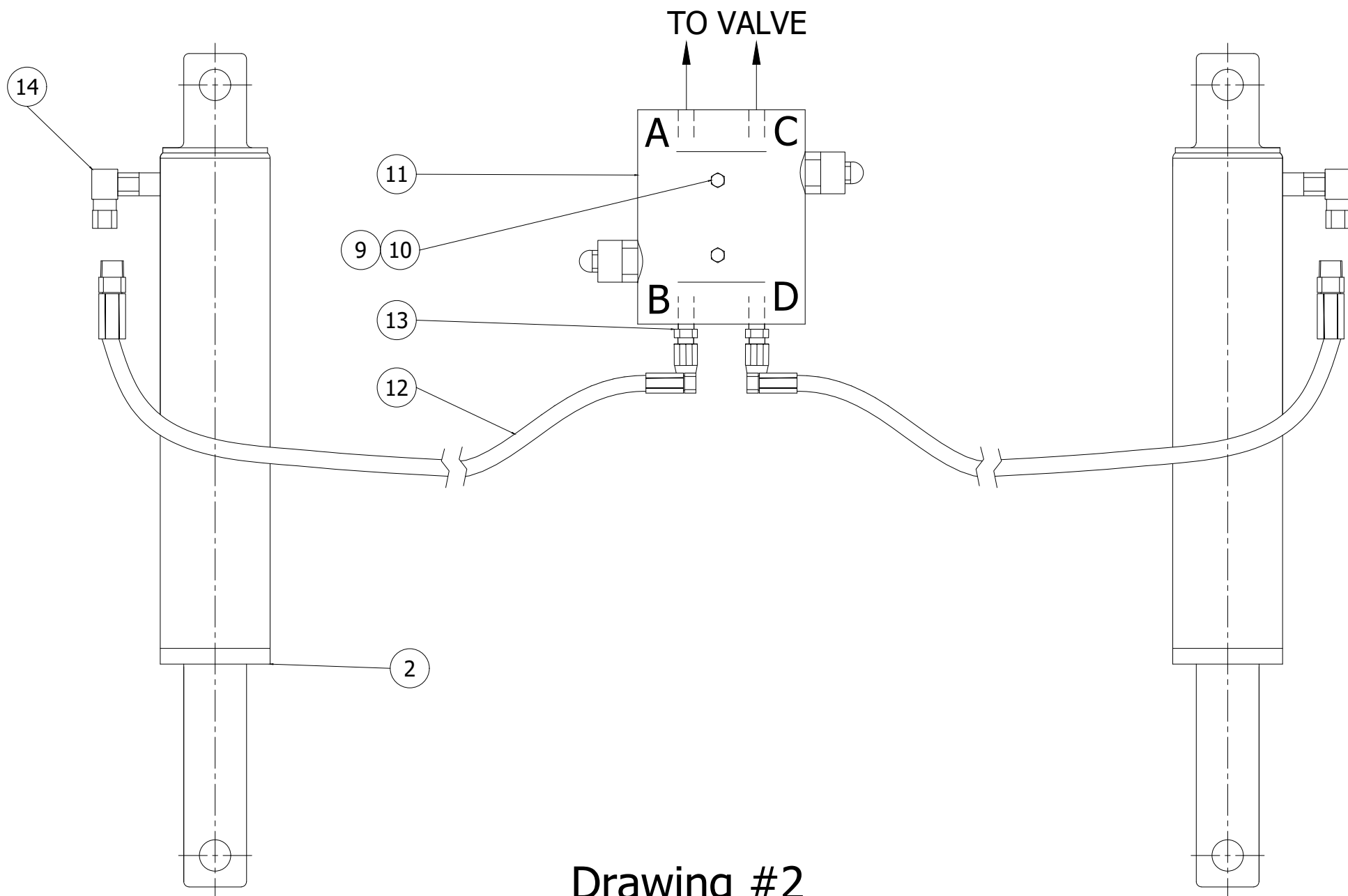


Arctic Heavy Duty Skid Steer Trip Edge -  
Poly  
(For trip edge blade only)  
SK90, SK96, SK108

## ARCTIC HDSSTE-P ARCTIC HEAVY DUTY SKID STEER TRIP EDGE



### Drawing #1



## Drawing #2

<b>Trip Edge Skid Steer Power Angling Assembly 53241-M</b>			
<b>Item</b>	<b>Part #</b>	<b>Description</b>	<b>Qty</b>
1	53241-D-GA	Skid Steer Frame Galvanized	1
2	CS150-10.00-NRS	1.1/2"X10" Angling Cylinder	2
3	HH-00972-153	3/4-16x3.1/2 Hex Head Cap Screw	2
4	HH-00972-152	3/4-16x3.1/4 Hex Head Cap Screw	2
5	HH-00973-007	3/4-16 Nylon Insert Nut	4
6	HH-00972-090	1/2-20x1.1/2 Hex Head Cap Screw	1
7	HH-00540-004	1/2-20 Nylon Insert Nut	1
8	HH-00341-006	1/2 Flat washer	1
9	HH-00340-017	5/16-18 Nylon Insert Nut	2
10	HH-00293-034	5/16-18x2.1/2 Hex Head Cap Screw	2
11	HCR050	Cross Over Relief Valve	1
12	51002-M	1/4"X18" Hose Assembly	2
13	HH-00088-005	1/2 To 1/4 Reducing Bushing	2
14	HH-00790-002	90 Deg Swivel Elbow	2
15	52488-B	T.E. Pivot Shaft	1

<b>Heavy Duty Skid Steer Galvanized SK90, SK96, SK108</b>			
<b>Item</b>	<b>Part #</b>	<b>Description</b>	<b>Qty</b>
Parts includes under SK90			
1	53241-M	Trip Edge Skid Steer P.A assy	1
2	52482-M-GA	90" Trip Edge Poly Blade, Galvanized	1
Parts includes under SK96			
1	53241-M	Trip Edge Skid Steer P.A assy	1
2	52483-M-GA	96" Trip Edge Poly Blade, Galvanized	1
Parts includes under SK108			
1	53241-M	Trip Edge Skid Steer P.A assy	1
2	52485-M-GA	108" Trip Edge Poly Blade, Galvanized	1

Arctic Equipment Manufacturing Corporation reserves the right under its product improvement policy to change construction or design details and furnish equipment when so altered without reference to illustrations or specifications used.

# ARCTIC HDTE-P

Arctic Heavy Duty Trip Edge Blade 90", 96" & 108"

 Warning

Do not exceed GVWR or GAWR, including blade and ballast. The rating label is found on the driver side vehicle door corners.

Lower the blade when the vehicle is parked. Temperature changes could change hydraulic pressure, causing the blade to drop unexpectedly or damaging hydraulic components. Failure to do this can result in serious personal injury.

Servicing the trip springs without special tools and knowledge could result in personal injury. See Arctic authorized dealer for service.

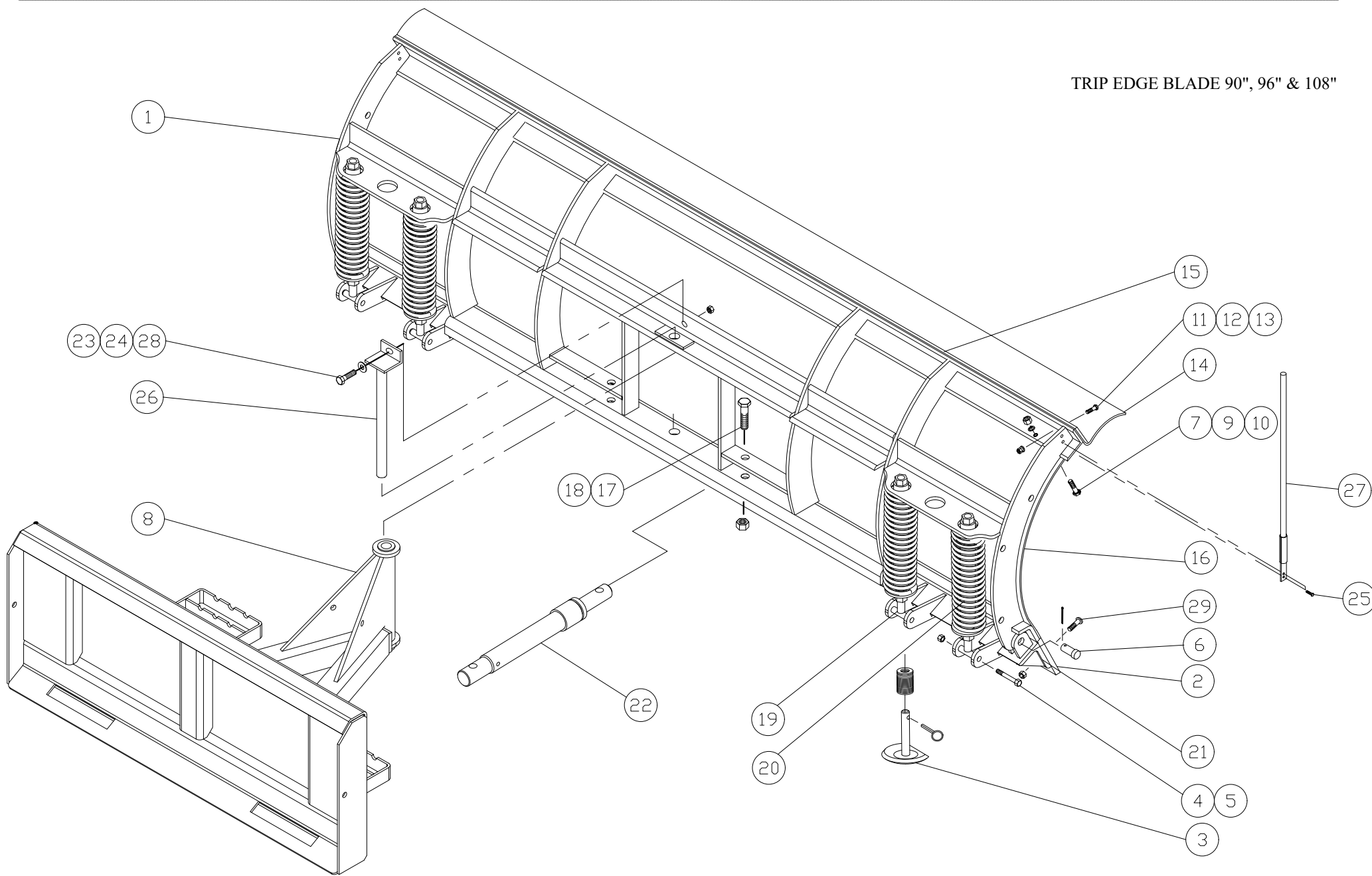
Inspect snowplow components and bolts for wear and damage when mounting or removing snowplow and before traveling.

Keep hands and feet clear of the blade, A-frame and cylinders when mounting or removing the snowplow. Moving or falling assemblies could cause personal injury. Never use a finger to check an alignment. Moving or falling assemblies could crush your finger.

Do not stand between the vehicle and the blade or within 10' of a moving blade. A moving or falling blade could cause personal injury.

To prevent accidental movement of the blade, always turn the control OFF whenever the snowplow is not in use.

TRIP EDGE BLADE 90", 96" & 108"



Heavy Duty Trip Edge Blade Assembly 90" (52482-M-GA), 96" (52483-M-GA) and 108" (52485-M-GA), A-frame and Hardware Galvanized			
Item	Description	Part Number	Quantity
1	52438-03-D-GA	90" Trip Edge Frame Galvanized	1
	52438-04-D-GA	96" Trip Edge Frame Galvanized	
	52438-06-D-GA	108" Trip Edge Frame Galvanized	
2	52233-M	Steel Cutting Edge 90", Top Punch 1/2" x 6" 90"	1
	52234-M	Steel Cutting Edge 96", Top Punch 1/2" x 6" x 96"	
	52236-M	Steel Cutting Edge 108", Top Punch 1/2" x 6" x 108"	
	50035-N	Steel Cutting Edge, Center Punch 1/2" x 6" x 90"	
	50036-N	Steel Cutting Edge, Center Punch 1/2" x 6" x 96"	
	51161-C	Steel Cutting Edge, Center Punch 1/2" x 6" x 108"	
3	53322-M-GA	Trip Edge Shoe Assembly Galvanized	2
3a	53322-A-GA	Trip Edge Shoe Galvanized	1
3b	55017-N	1" Adjustment Washers	15
3c	50040-A	Quick Release Pin	1
4	HH-00540-004	1/2" Nylon Nut	4
5	HH-00972-100	1/2" x 4" Bolt	4
6	52442-M	3/4 x 2-1/8" Rivet c/w Cotter Pin	6
7	HH-00971-136	1/2" x 1-1/2" Carriage Bolt (for 90", 96")	8
	HH-00971-136	1/2" x 1-1/2" Carriage Bolt (for 108")	10
8	53241-M	Skid Steer Power Angling Ass'y	1
9	HH-00457-001	1/2" Lock Washer (for 90", 96")	8
	HH-00457-001	1/2" Lock Washer (for 108")	10
10	HH-00294-005	1/2" NC Nut (for 90", 96")	8
	HH-00294-005	1/2" NC Nut (for 108")	10
11	HH-00971-044	5/16" x 1-1/4" Carriage Bolt (for 90", 96")	8
	HH-00971-044	5/16" x 1-1/4" Carriage Bolt (for 108")	10
12	HH-00457-007	5/16" Lock Washer (for 90", 96")	8
	HH-00457-007	5/16" Lock Washer (for 108")	10
13	HH-00294-002	5/16" NC Nut (for 90", 96")	8
	HH-00294-002	5/16" NC Nut (for 108")	10
14	52245-M	90" Poly Deflector	1
	52245-CR	90" Curved Deflector	
	52246-M	96" Poly Deflector	
	52246-CR	96" Curved Deflector	
	52280-M	108" Poly Deflector	
	52280-CR	108" Curved Deflector	
15	52239-M-GA	90" Strap Galvanized	1
	52240-M-GA	96" Strap Galvanized	
	52279-M-GA	108" Strap Galvanized	
16	52228-02-D	Blade Skin - 90" (orange)	1
	52228-02-D-PLAT	Blade Skin - 90" (gray)	



Heavy Duty Trip Edge Blade Assembly 90" (52482-M-GA), 96" (52483-M-GA) and 108" (52485-M-GA), A-frame and Hardware Galvanized			
Item	Description	Part Number	Quantity
	52228-03-D	Blade Skin - 96" (orange)	
	52228-03-D-PLAT	Blade Skin - 96" (gray)	
	52277-D	Blade Skin - 108" (orange)	
	52277-D-PLAT	Blade Skin - 108" (gray)	
17	HH-00972-153	3/4" x 3-1/2" Bolt	2
18	HH-00973-007	3/4" Hex Nut Nylon Insert	4
19	52440-C	Spring Tube Assembly (does not include spring)	4
20	52441-M	Trip Edge Spring	4
21	52443-03-D-GA	Bottom Angle 90"	1
	52443-04-D-GA	Bottom Angle 96"	1
	52443-06-D-GA	Bottom Angle 108"	1
22	CS150-10.00-NRS	1 1/2 x 10 angling cylinder	2
23	HH-00972-090	1/2" x 1-1/2" Bolt	1
24	HH-00341-006	1/2" Flat washer	1
25	GB001	Guide Bolt Ass'y	4
26	52488-B	Pivot Shaft	1
27	50999-B	Blade Guide	2
28	HH-00540-004	1/2" Lock Nut	1
29	52593-8-M	1/2" x 1-3/4" Carriage Bolt Assembly(for 90"&96")	package of 8
	52593-10-M	1/2" x 1-3/4" Carriage Bolt Assembly (for 108")	package of 10

Arctic Equipment Manufacturing Corporation reserves the right under its product improvement policy to change construction or design details and furnish equipment when so altered without reference to illustrations or specifications used.