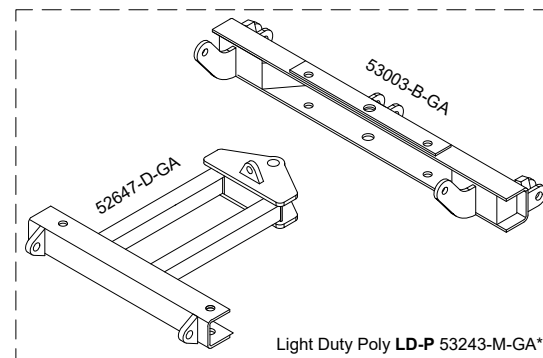
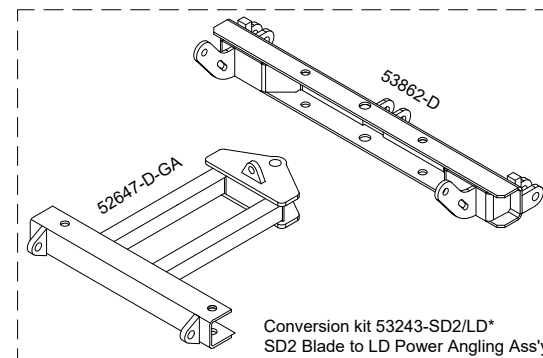


T-frame/A-frame & Quadrant Quick Reference

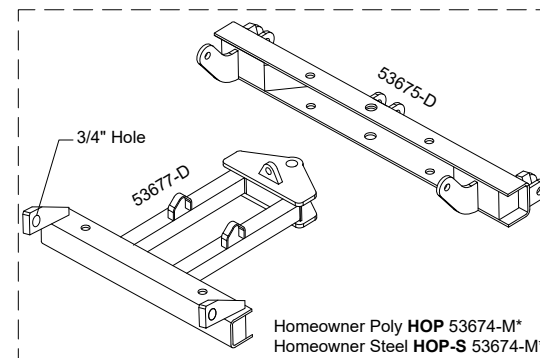
A-Frame/T-Frame & Quadrant Quick Reference



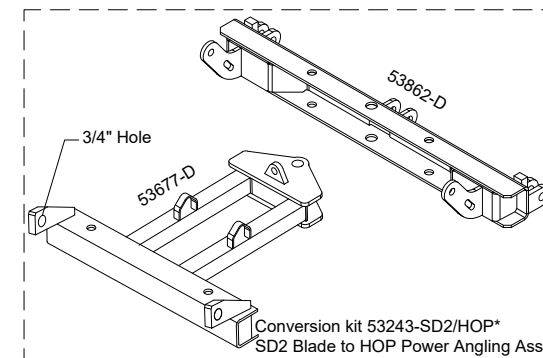
Light Duty Poly **LD-P** 53243-M-GA*



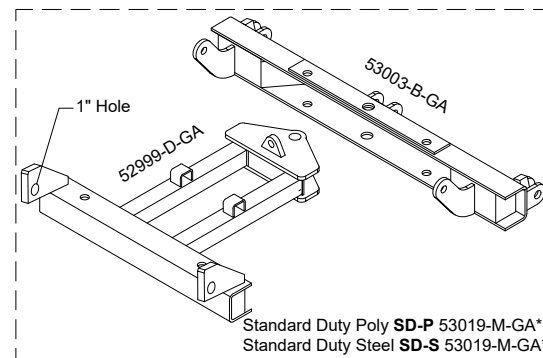
Conversion kit 53243-SD2/LD*
SD2 Blade to LD Power Angling Ass'y



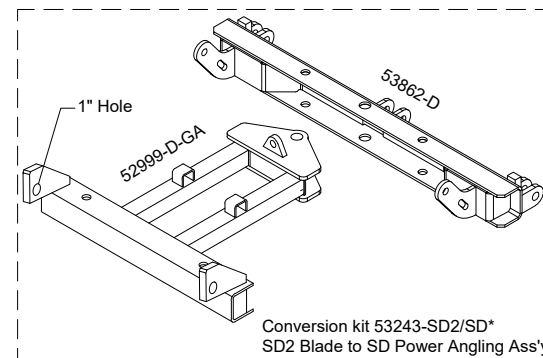
Homeowner Poly **HOP** 53674-M*
Homeowner Steel **HOP-S** 53674-M*



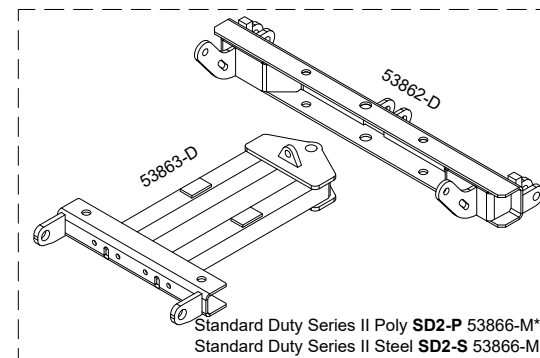
Conversion kit 53243-SD2/HOP*
SD2 Blade to HOP Power Angling Ass'y



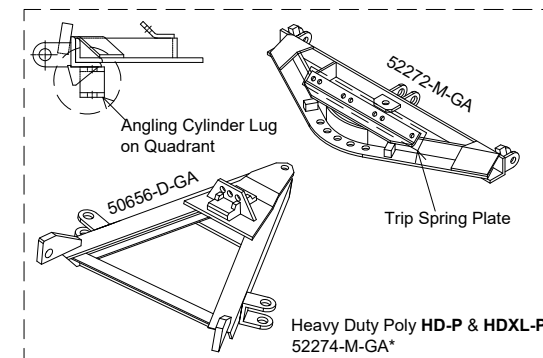
Standard Duty Poly **SD-P** 53019-M-GA*
Standard Duty Steel **SD-S** 53019-M-GA*



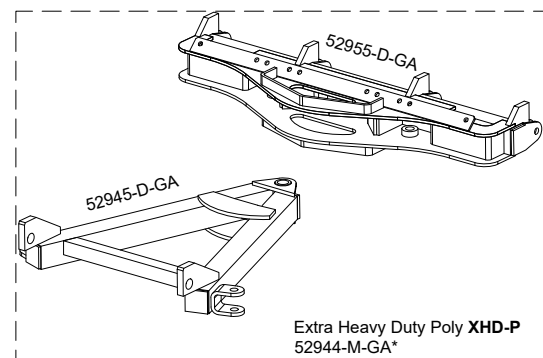
Conversion kit 53243-SD2/SD*
SD2 Blade to SD Power Angling Ass'y



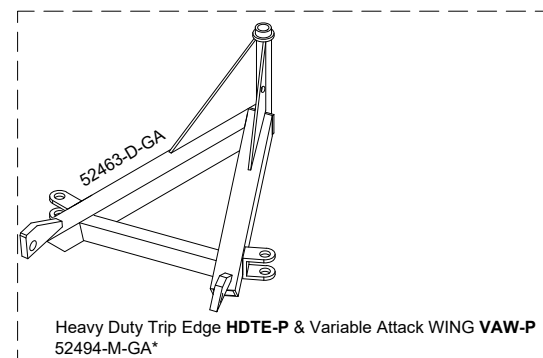
Standard Duty Series II Poly **SD2-P** 53866-M*
Standard Duty Series II Steel **SD2-S** 53866-M*



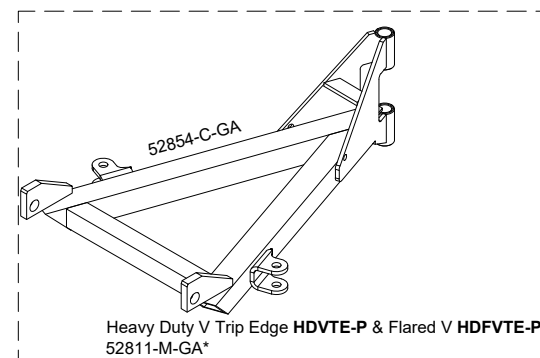
Heavy Duty Poly **HD-P** & **HDXL-P**
52274-M-GA*



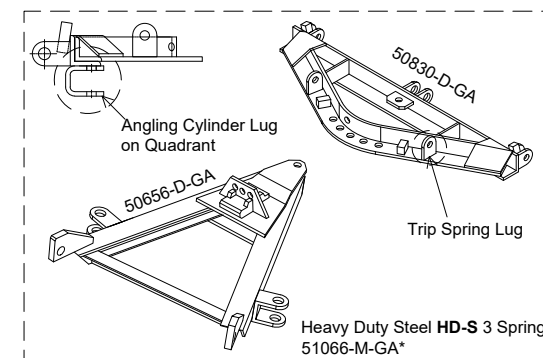
Extra Heavy Duty Poly **XHD-P**
52944-M-GA*



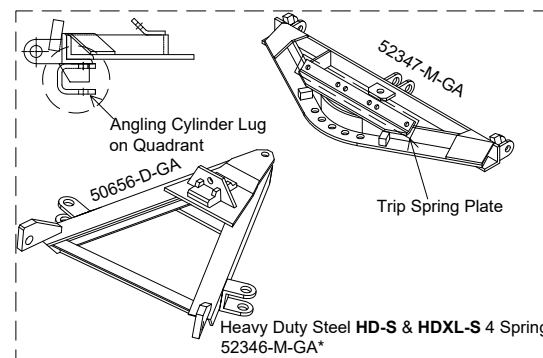
Heavy Duty Trip Edge **HDTE-P** & Variable Attack WING **VAW-P**
52494-M-GA*



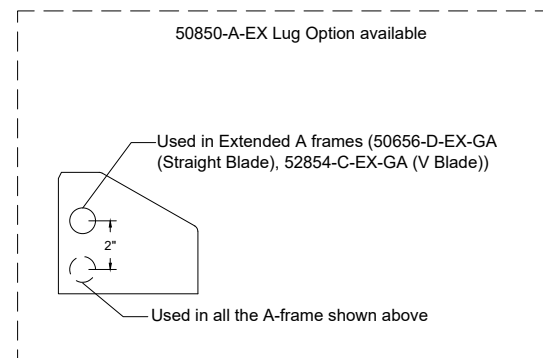
Heavy Duty V Trip Edge **HDVTE-P** & Flared V **HDFVTE-P**
52811-M-GA*



Heavy Duty Steel **HD-S** 3 Spring
51066-M-GA*



Heavy Duty Steel **HD-S** & **HDXL-S** 4 Spring
52346-M-GA*



50850-A-EX Lug Option available

Used in Extended A frames (50656-D-EX-GA (Straight Blade), 52854-C-EX-GA (V Blade))

Used in all the A-frame shown above

* Part # listed is for the complete Power Angling Assembly that includes A-Frame/T-Frame, Quadrant, Angling Cylinders (not shown) and Fasteners (not shown).