

Cylinder reference to plows.....2

Chrome Angling Cylinders

CS150-10.00-012.....3

CS200-16.00-069.....4

52873-N (V Plow).....5

53026-N (XHD-P).....6

Chrome Lift Cylinders

CS150-06.00-062.....7

CD150-05.00-055 (Plow Partner).....8

CS200-06.00-069.....9

CS200-06.00-901.....10

Nitrotec Angling Cylinders

CS150-10.00-NRS.....11

52873-NRS.....12

53026-NRS.....13

Nitrotec Lift Cylinders

CS150-06.00-NRS.....14

CD150-05.00-NRS.....15

CS200-06.00-NRS.....16

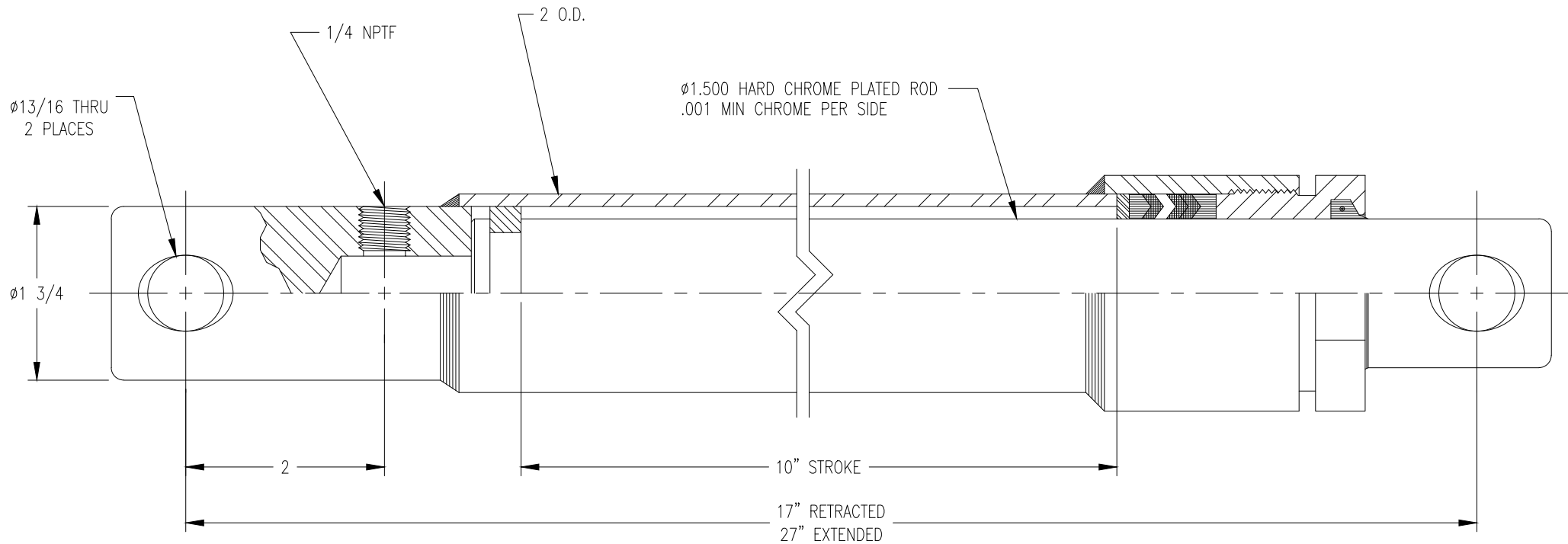
WING Cylinder

53488-N.....17

Plow Type	Lift Cylinder Part#	Angling Cylinder Part#	WING Cylinder
Half Ton Truck Blades			
LD-P / LD-S	CS150-06.00-NRS	CS150-10.00-NRS	-
HOP / HOP-S	CS150-06.00-NRS	CS150-10.00-NRS	-
SD-P / SD-S	CS150-06.00-NRS	CS150-10.00-NRS	-
SD2-P / SD2-S	CS150-06.00-NRS	CS150-10.00-NRS	-
Straight Blades			
HD-P (90,96) / HD-S	CS150-06.00-NRS	CS150-10.00-NRS	-
HDXL-P (102,108)	CS200-06.00-NRS	CS150-10.00-NRS	-
XHD-P	CS200-06.00-NRS	53026-NRS	
HDTE-P	CS200-06.00-NRS	CS150-10.00-NRS	-
V Plows			
HDVTE-P	CS200-06.00-NRS	52873-NRS	-
HDFVTE-P	CS200-06.00-NRS	52873-NRS	-
WING Plow			
HDVAW-P	CS200-06.00-NRS	CS150-10.00-NRS	53488-N
Plow Partner			
PP90, PP96, PP108	CD150-05.00-NRS	-	-

Click on the cylinder part# above to navigate to their corresponding page

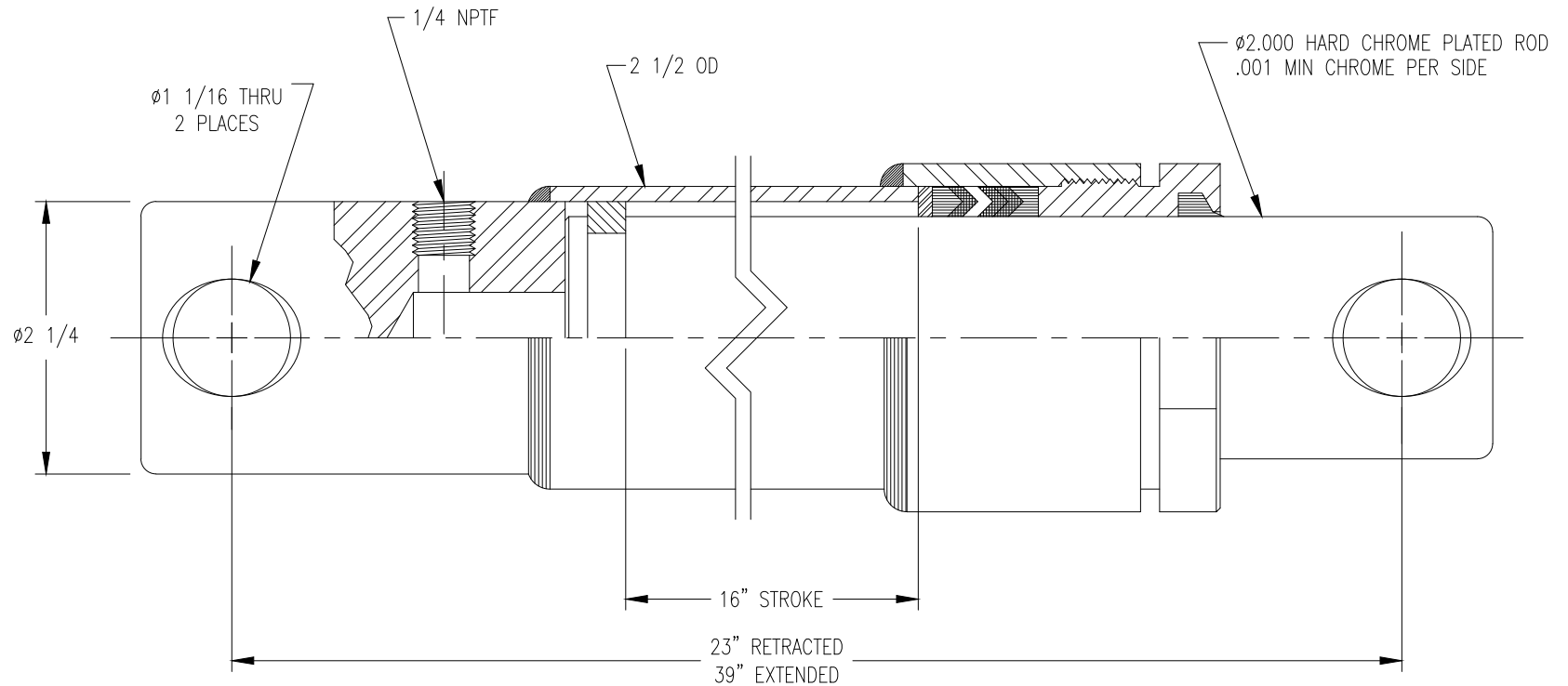
CS150-10.00-012
 1 1/2" x 10 SINGLE ACTING CYLINDER
 ANGLING CYLINDER – REGULAR BLADE (STRAIGHT, TRIP EDGE)
 (USED UNTIL 2008)



Replacement parts:

- FP5111 1 1/2" Wiper
- FP5112 1 1/2" Gland Nut
- FP5113 1 1/2" V' packing
- FP5114 1 1/2" Spreader Washer

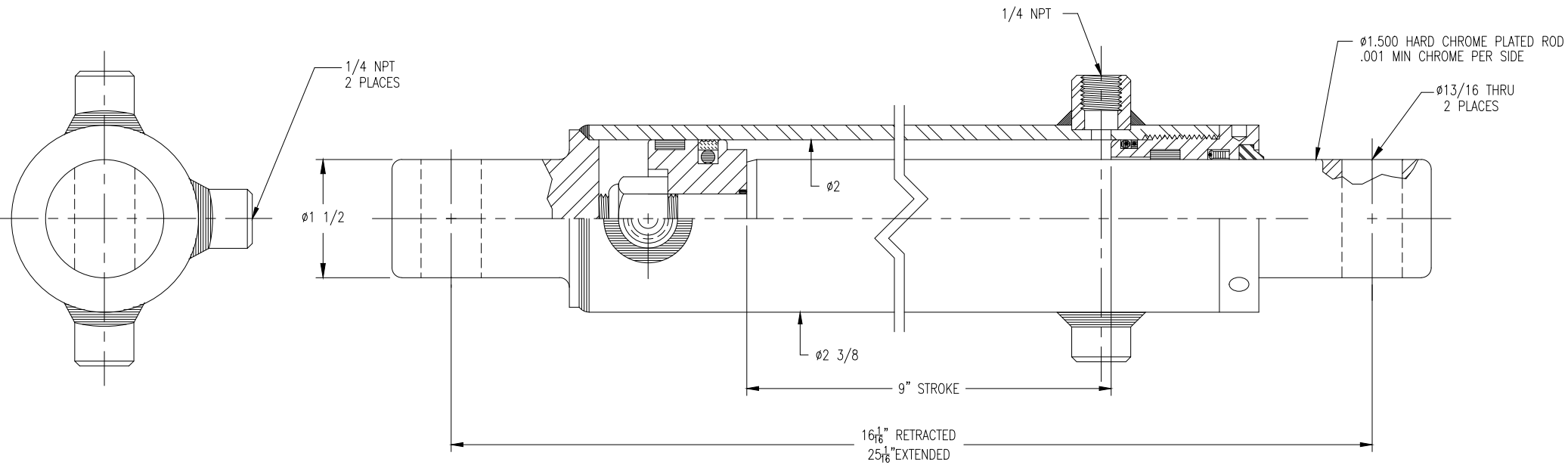
CS200-16.00-069
2" x 16" SINGLE ACTING CYLINDER
ANGLING CYLINDER - FOR 10' STEEL BLADE ONLY
(USED UNTIL 2008)



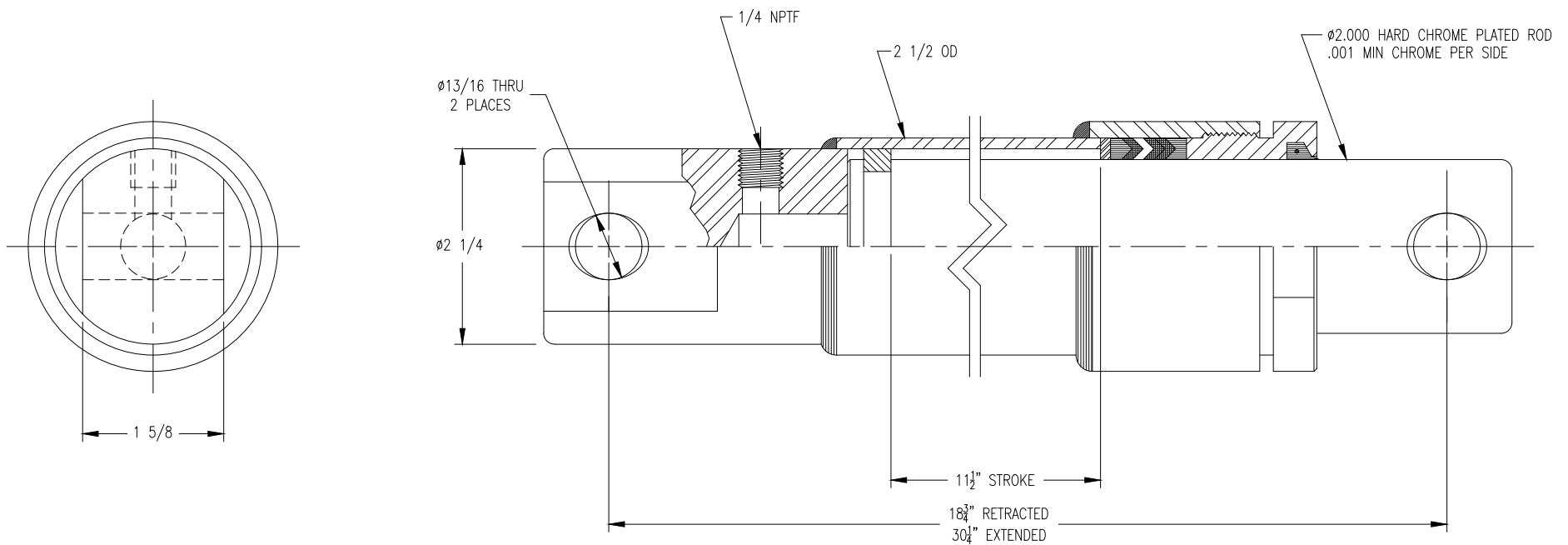
Replacement parts:

- | | |
|--------|--------------------|
| FP5121 | 2" Wiper |
| FP5122 | 2" Gland Nut |
| FP5123 | 2" V packing |
| FP5124 | 2" Spreader Washer |

52873-N
1 1/2" X 2" X 9" DOUBLE ACTING CYLINDER
ANGLE CYLINDER - 'V' PLOW (used until 2008)



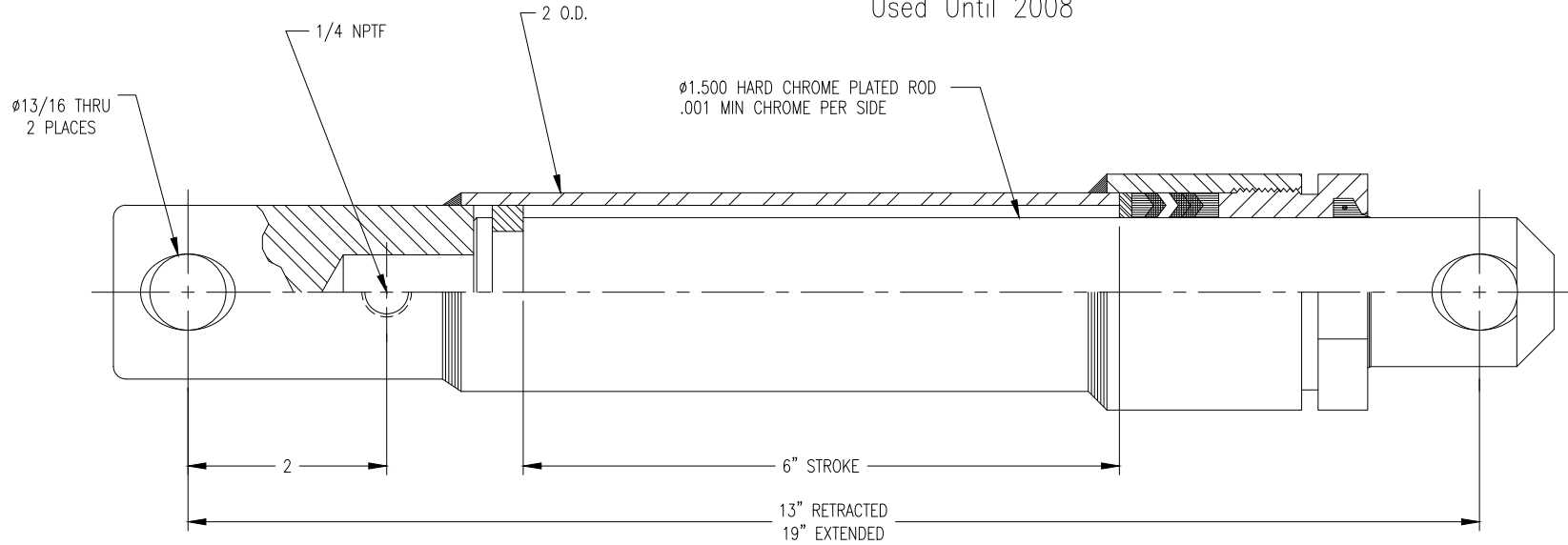
53026-N
 2" x 11 1/12 SINGLE ACTING CYLINDER
 ANGLING CYLINDER - 10' POLY BLADE
 (USED UNTIL 2008)



Replacement parts:

- FP5121 2" Wiper
- FP5122 2" Gland Nut
- FP5123 2"V' packing
- FP5124 2" Spreader Washer

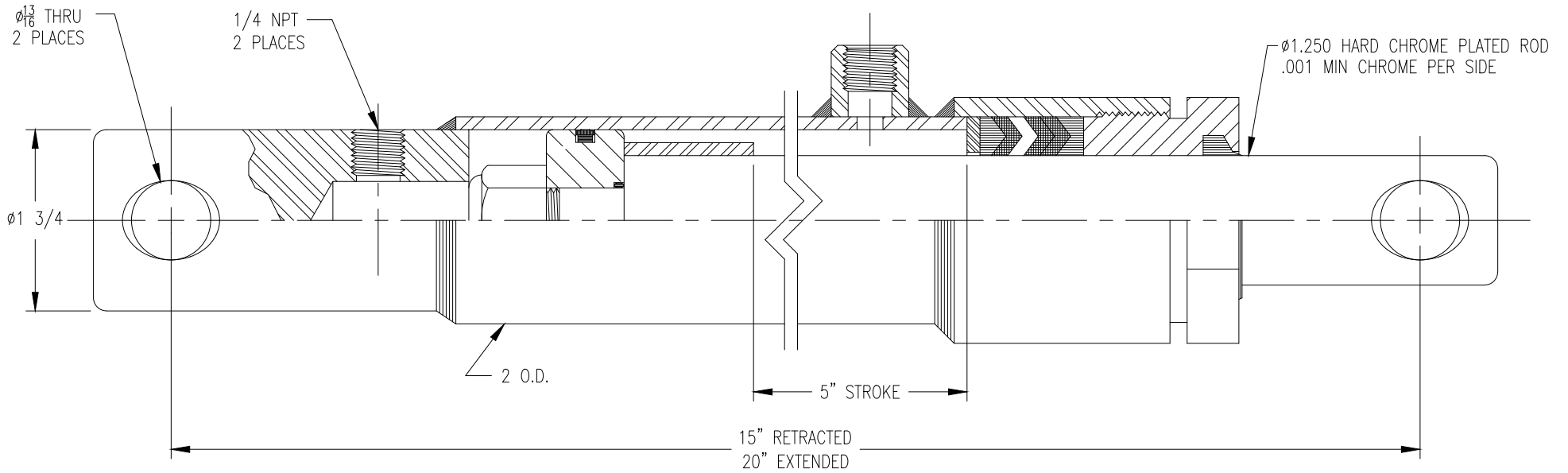
CS150-06.00-062
 1 1/2" x 6" SINGLE ACTING CYLINDER
 LIFT CYLINDER
 Used Until 2008



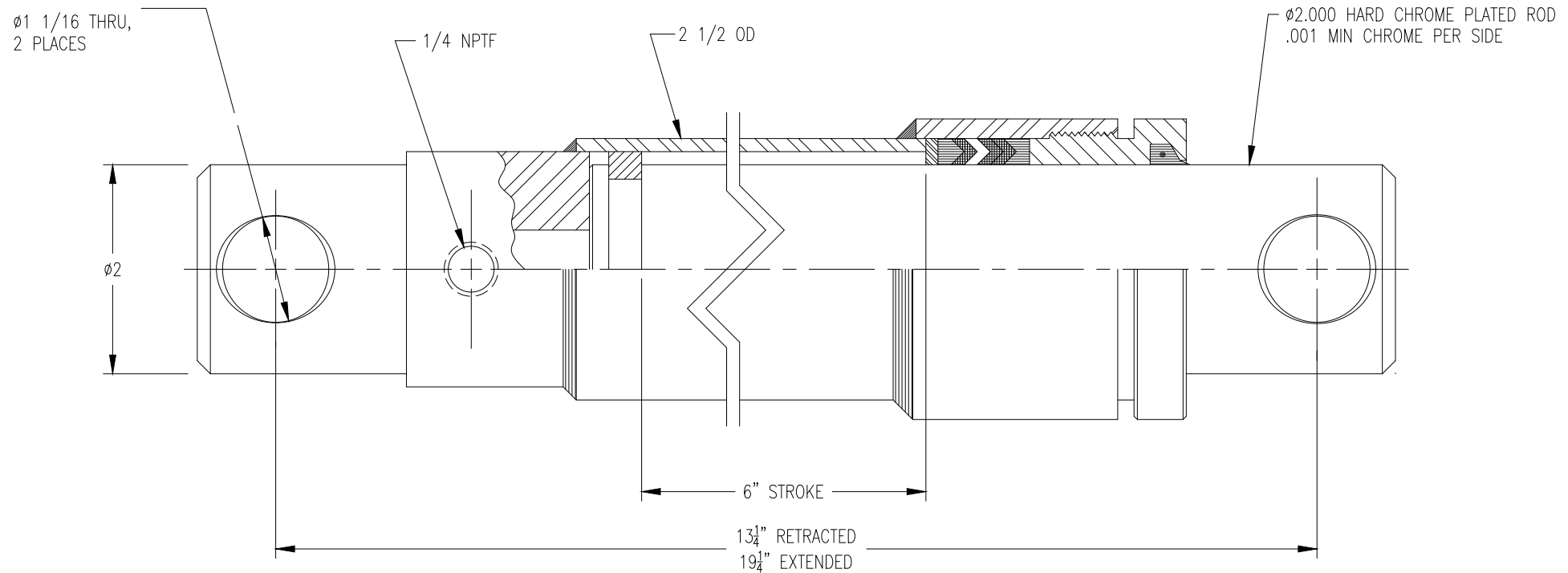
Replacement parts:

- FP5111 1 1/2" Wiper
- FP5112 1 1/2" Gland Nut
- FP5113 1 1/2" V packing
- FP5114 1 1/2" Spreader Washer

CD150-05.00-055
1 1/4" x 1 3/4" x 5" DOUBLE ACTING CYLINDER
LIFT CYLINDER (PLOW PARTNER)
Used Until 2008



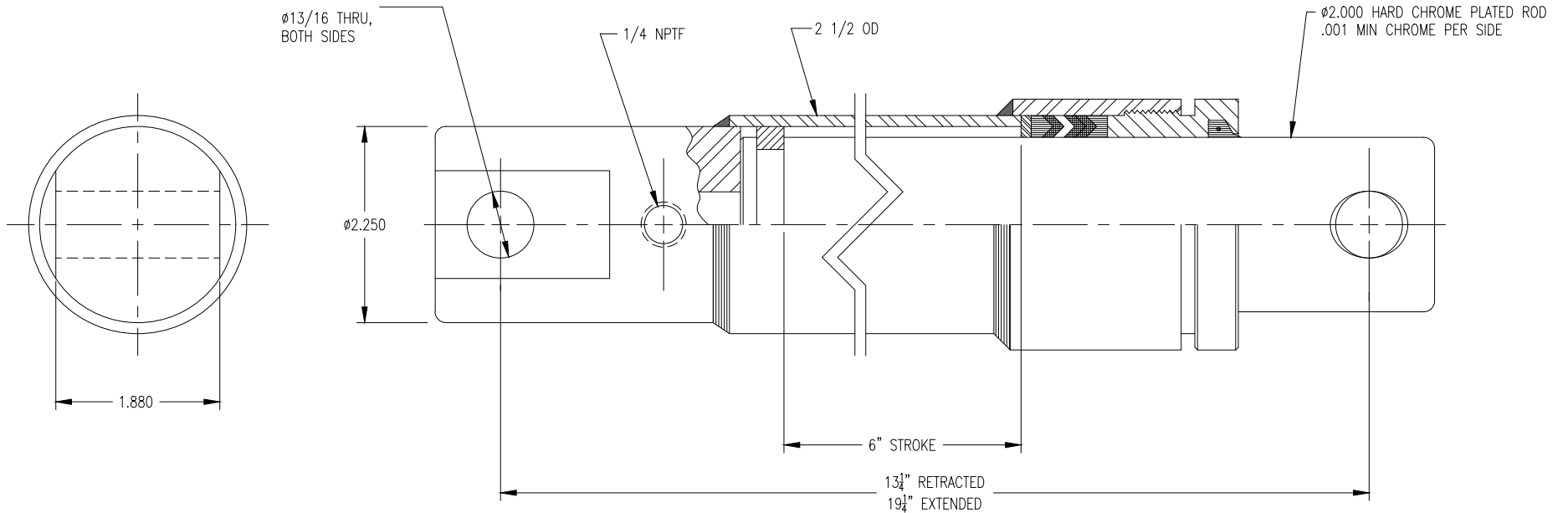
CS200-06.00-069
2" x 6" SINGLE ACTING CYLINDER
LIFT CYLINDER (10' STEEL BLADE ONLY)
Used Until 2008



Replacement parts:

- FP5121 2" Wiper
- FP5122 2" Gland Nut
- FP5123 2" V' packing
- FP5124 2" Spreader Washer

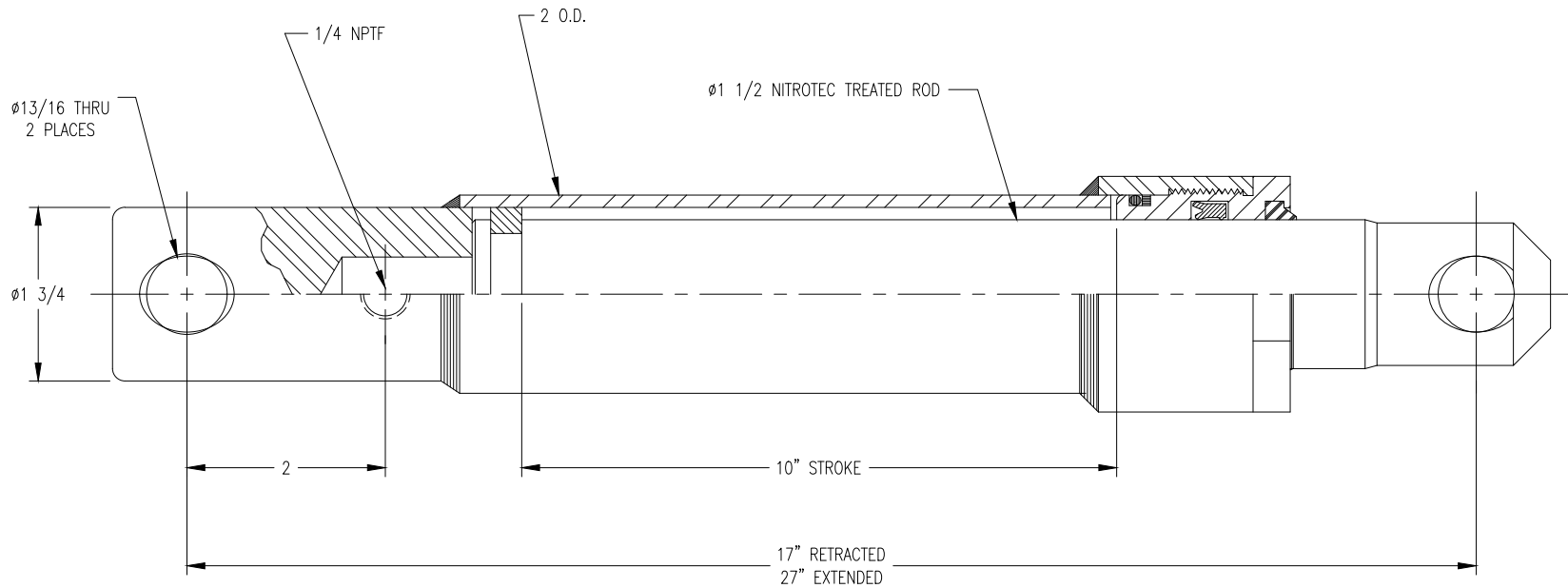
CS200-06.00-901
 2" x 6 SINGLE ACTING CYLINDER
 LIFT CYLINDER (TRIP EDGE, V PLOW, 10' BLADE)
 Used Until 2008



Replacement parts:

- FP5121 2" Wiper
- FP5122 2" Gland Nut
- FP5123 2" V packing
- FP5124 2" Spreader Washer

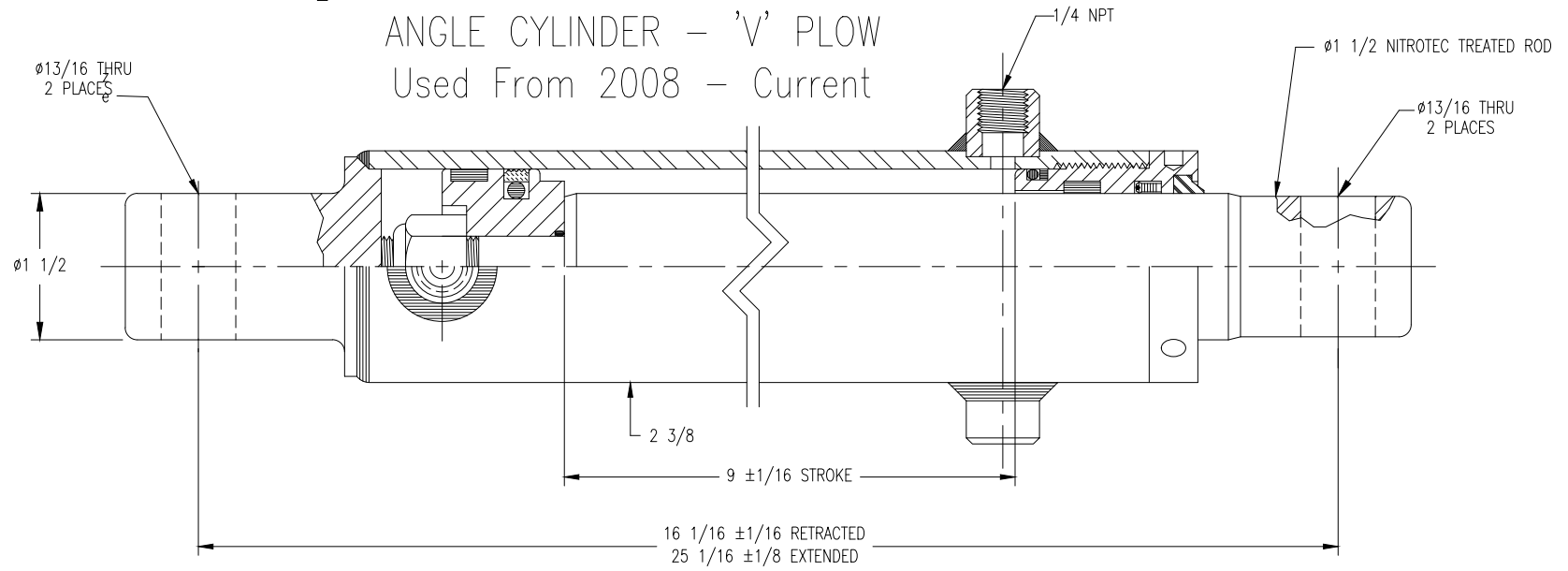
CS150-10.00-NRS
1 1/2" x 10" SINGLE ACTING CYLINDER
ANGLING CYLINDER - REGULAR BLADE (STRAIGHT, TRIP EDGE)
Used From 2008 - Current



Replacement parts:

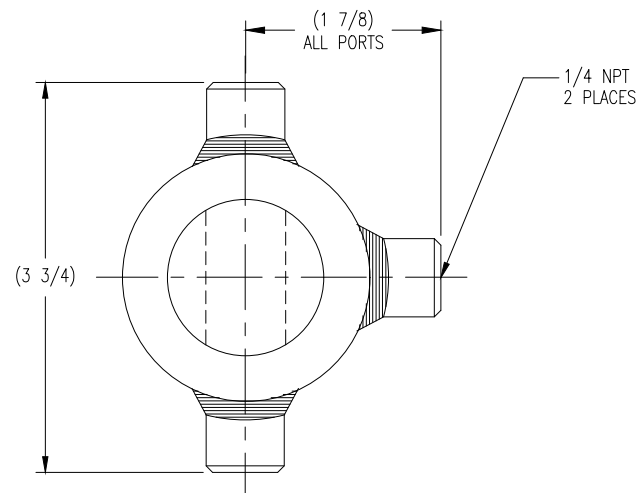
- CS150-NRS-01 Seal Kit
- CS150-NRS-02 Gland Nut

52873-NRS
 1 1/2" X 2" X 9" DOUBLE ACTING CYLINDER
 ANGLE CYLINDER - 'V' PLOW
 Used From 2008 - Current

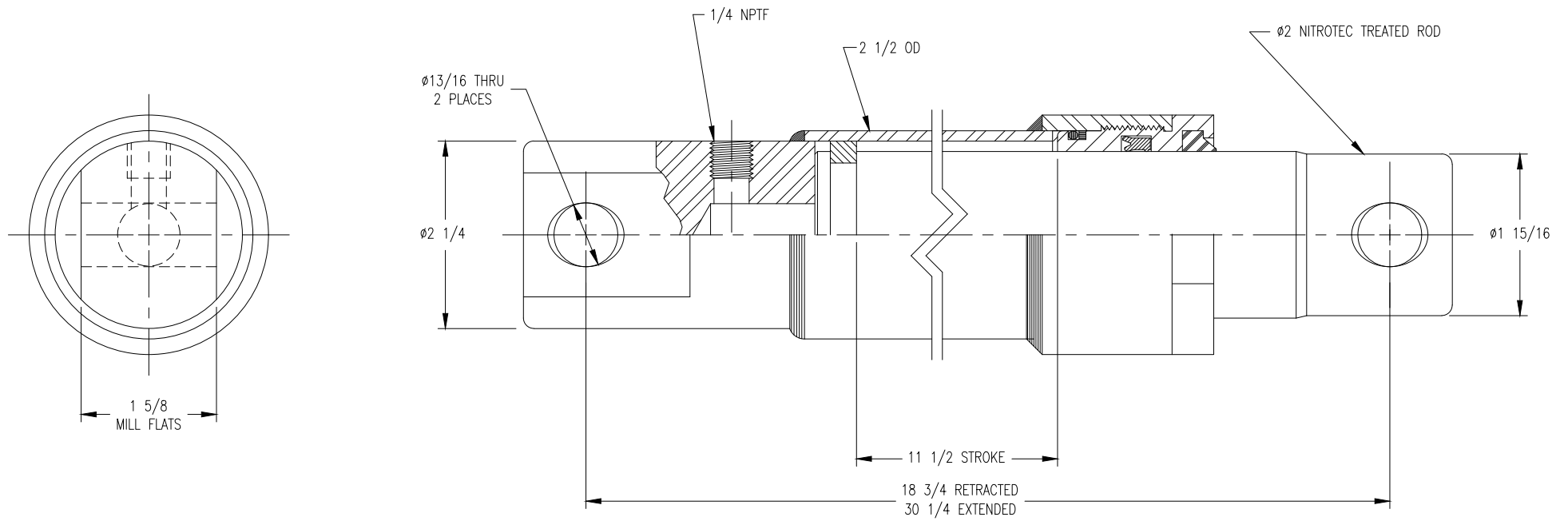


Replacement parts:

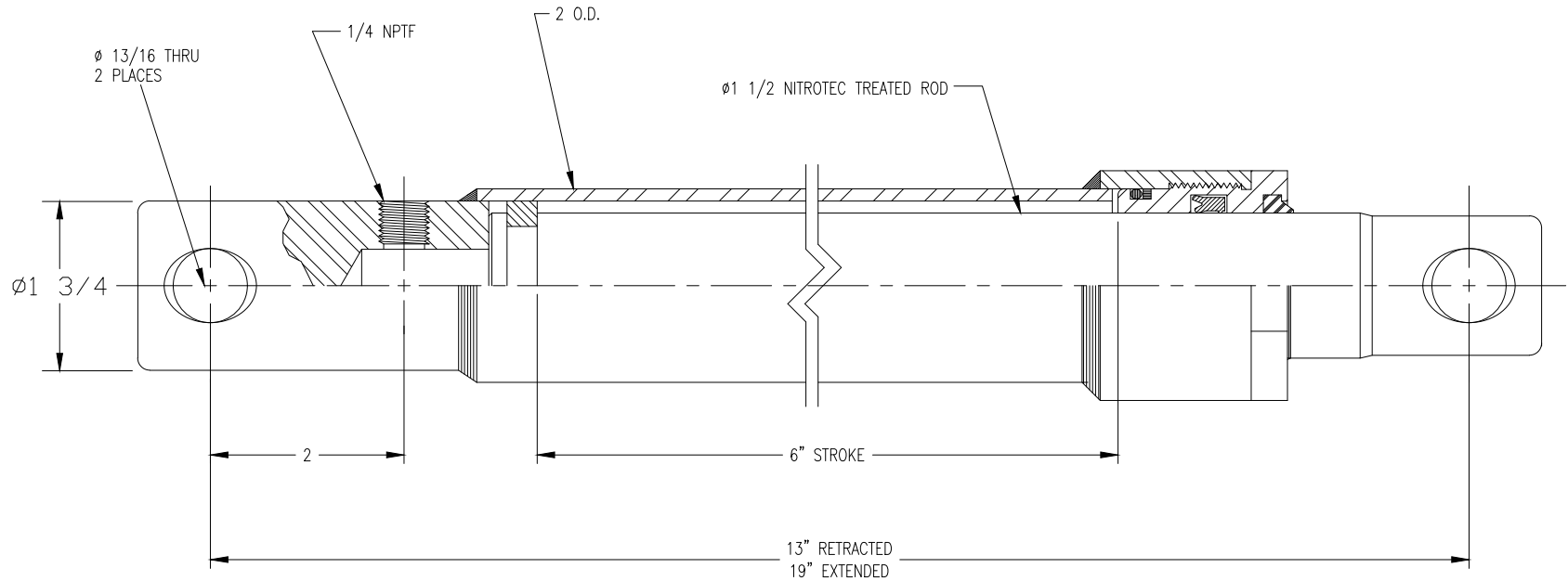
- 52873-NRS-01 Seal Kit
- 52873-NRS-02 Gland Nut



53026-NRS
2" x 11 1/2 SINGLE ACTING CYLINDER
ANGLING CYLINDER - 10' POLY BLADE
Used From 2008 - Current



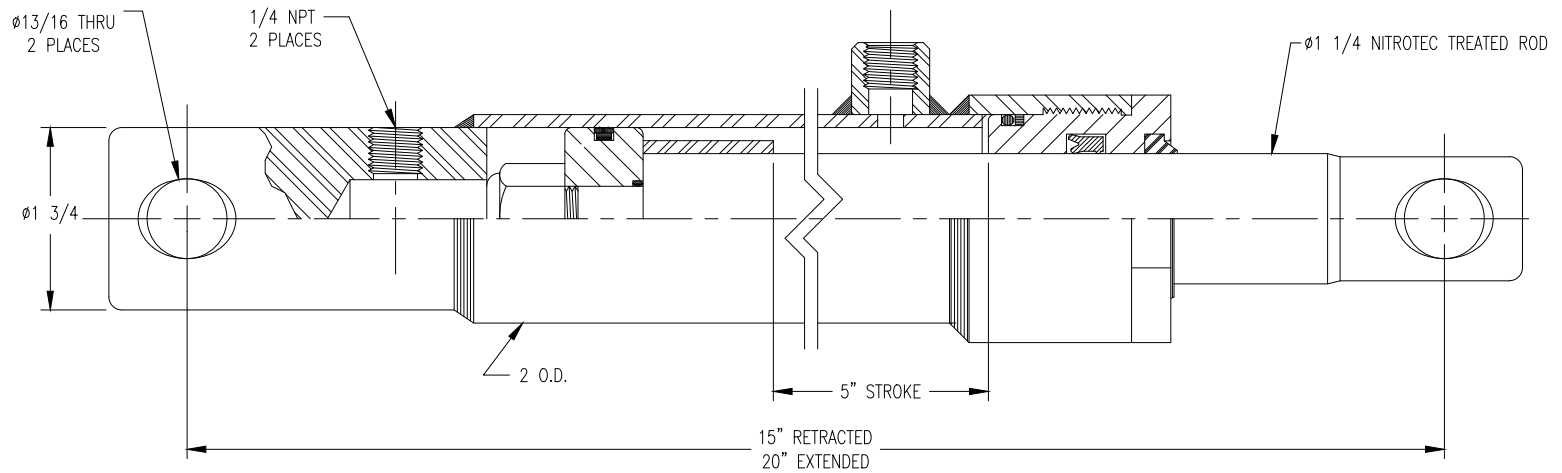
CS150-06.00-NRS
1 1/2" x 6" SINGLE ACTING CYLINDER
LIFT CYLINDER
Used From 2008 - Current



Replacement parts:

- CS150-NRS-01 Seal Kit
- CS150-NRS-02 Gland Nut

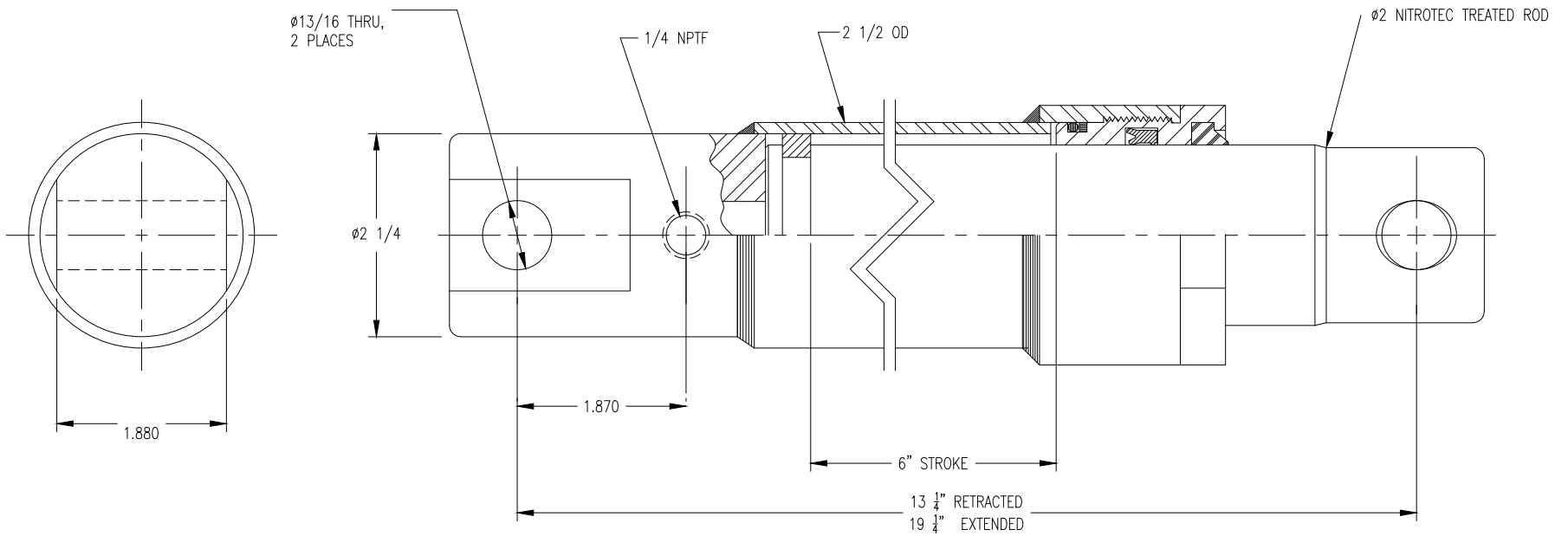
CD150-05.00-NRS
1 1/4" x 1 3/4" x 5" DOUBLE ACTING CYLINDER
LIFT CYLINDER (PLOW PARTNER)
Used From 2008 - Current



Replacement parts:

- CD150-NRS-01 Seal Kit
- CD150-NRS-02 Gland Nut

CS200-06.00-NRS
2" x 6 SINGLE ACTING CYLINDER
LIFT CYLINDER (TRIP EDGE, V PLOW, 10' BLADE)
Used from 2008 - Current



Replacement parts:

- CS200-NRS-01 Seal Kit
- CS200-NRS-02 Gland Nut

53488-N 1 1/2" x 4" WING Blade Cylinder

