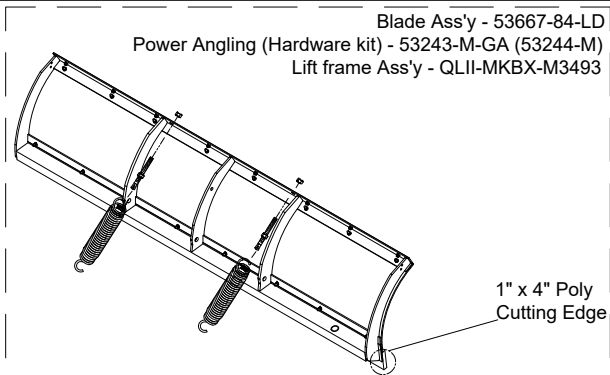


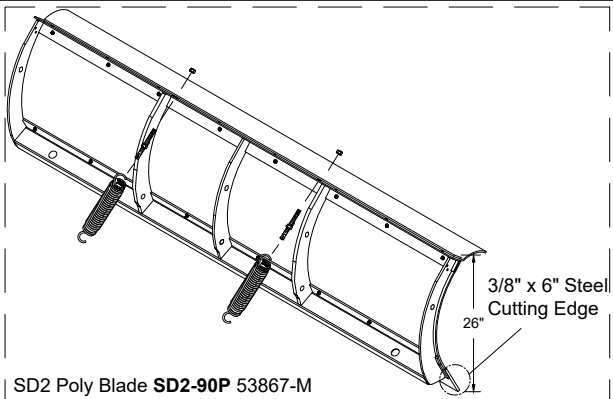
Blade Assembly Quick Reference



Blade Ass'y - 53667-84-LD
 Power Angling (Hardware kit) - 53243-M-GA (53244-M)
 Lift frame Ass'y - QLII-MKBX-M3493

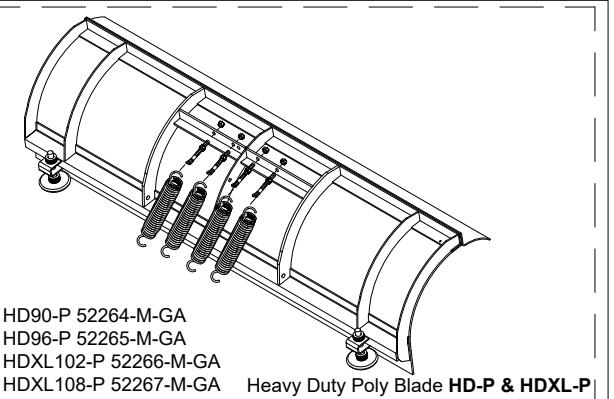
Light Duty Poly Blade **LD84P**

1" x 4" Poly
 Cutting Edge



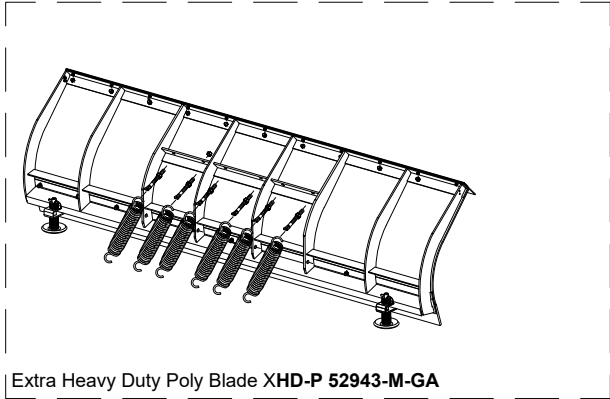
SD2 Poly Blade **SD2-90P** 53867-M

3/8" x 6" Steel
 Cutting Edge
 26"

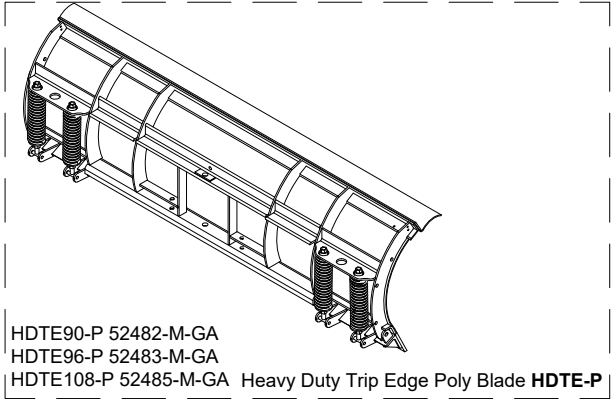


HD90-P 52264-M-GA
 HD96-P 52265-M-GA
 HDXL102-P 52266-M-GA
 HDXL108-P 52267-M-GA

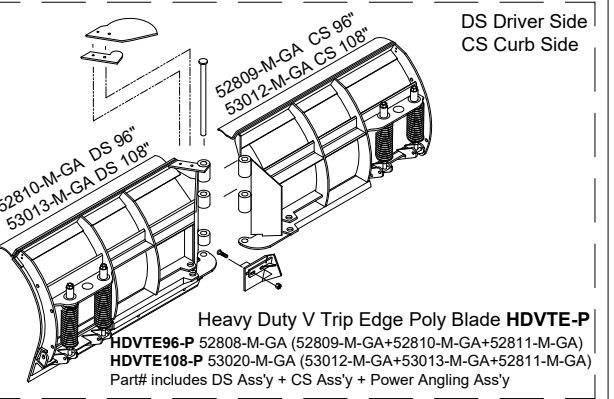
Heavy Duty Poly Blade **HD-P & HDXL-P**



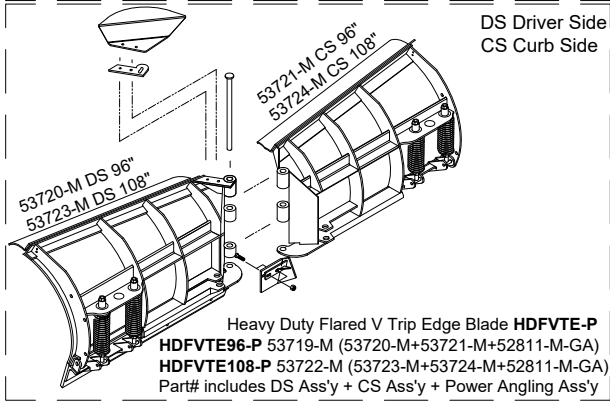
Extra Heavy Duty Poly Blade **XHD-P 52943-M-GA**



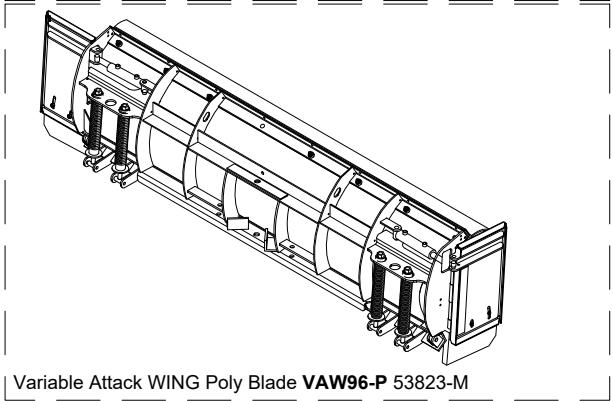
HDTE90-P 52482-M-GA
 HDTE96-P 52483-M-GA
 HDTE108-P 52485-M-GA Heavy Duty Trip Edge Poly Blade **HDTE-P**



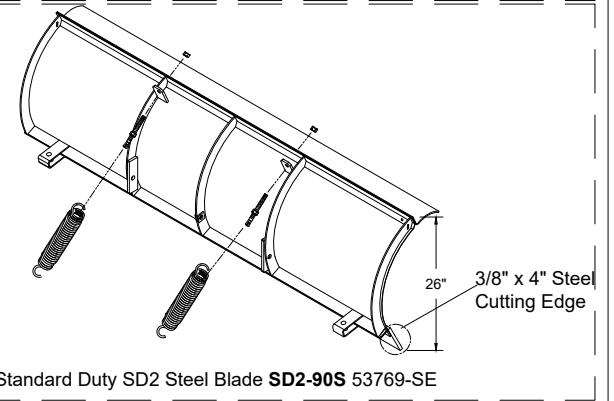
DS Driver Side
 CS Curb Side
 52809-M-GA CS 96"
 53012-M-GA CS 108"
 52810-M-GA DS 96"
 53013-M-GA DS 108"
 Heavy Duty V Trip Edge Poly Blade **HDVTE-P**
HDVTE96-P 52808-M-GA (52809-M-GA+52810-M-GA+52811-M-GA)
HDVTE108-P 53020-M-GA (53012-M-GA+53013-M-GA+52811-M-GA)
 Part# includes DS Ass'y + CS Ass'y + Power Angling Ass'y



DS Driver Side
 CS Curb Side
 53720-M DS 96"
 53723-M DS 108"
 53721-M CS 96"
 53724-M CS 108"
 Heavy Duty Flared V Trip Edge Blade **HDFVTE-P**
HDFVTE96-P 53719-M (53720-M+53721-M+52811-M-GA)
HDFVTE108-P 53722-M (53723-M+53724-M+52811-M-GA)
 Part# includes DS Ass'y + CS Ass'y + Power Angling Ass'y

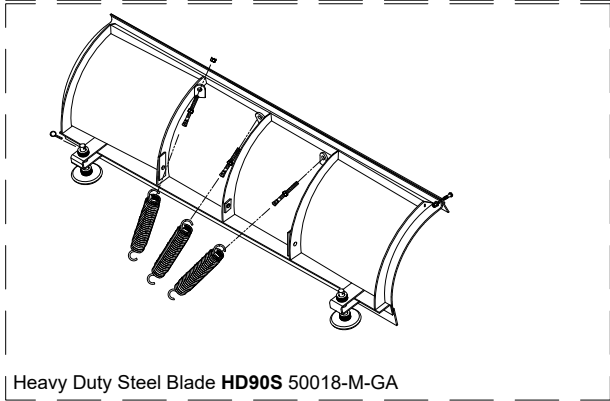


Variable Attack WING Poly Blade **VAW96-P** 53823-M

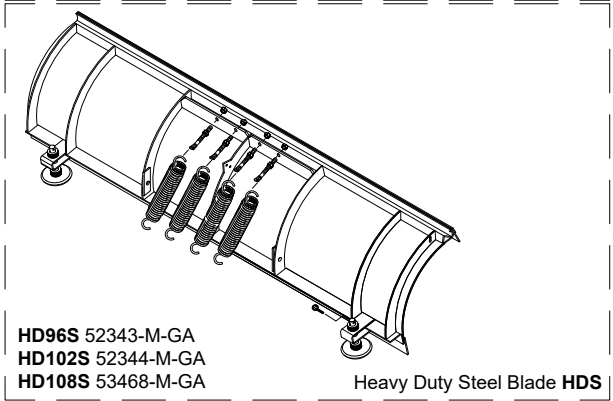


Standard Duty SD2 Steel Blade **SD2-90S** 53769-SE

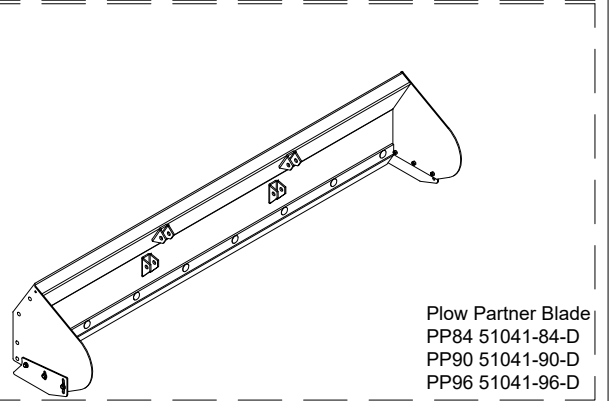
26" 3/8" x 4" Steel
 Cutting Edge



Heavy Duty Steel Blade **HD90S** 50018-M-GA



HD96S 52343-M-GA
HD102S 52344-M-GA
HD108S 53468-M-GA
 Heavy Duty Steel Blade **HDS**



Plow Partner Blade
 PP84 51041-84-D
 PP90 51041-90-D
 PP96 51041-96-D

Trip Springs for Full trip blades are not part of Blade Ass'y

POLY BLADES			
Plow Type	Blade Ass'y	Power Angling (Hardware kit)	Lift Frame Ass'y
SD2-P	53867-M ,90"	53866-M (53018-M)	QL-SD2 (53853-Handle + 53704-M + 53858-04-M)
HD-P	52264-M-GA, 90"	52274-M-GA (52275-01-M)	QLIV-HI (53517-Handle + 53215-01)
	52265-M-GA, 96"		
HDXL-P	52266-M-GA, 102"	52274-M-GA (52275-03-M)	QLIV-HI-DLC (53517-Handle + 53216-01)
	52267-M-GA, 108"		
HDTE-P	52482-M-GA, 90"	52494-M-GA c/w Hardware kit	QLIV-HI-DLC (53517-Handle + 53216-01)
	52483-M-GA, 96"		
	52485-M-GA, 108"		
HDVTE-P	52808-M-GA, 96"	52811-M-GA, *part of blade ass'y, c/w hardware kit	QLIV-HI-DLC (53517-Handle + 53216-01)
	53020-M-GA, 108"		
HDFVTE-P	53719-M, 96"		
	53722-M, 108"		
HDVAW-P	53823-M (53823-01-M+53823-02-M)	52494-M-GA c/w Hardware kit	QLIV-HI-DLC (53517-Handle + 53216-01)
STEEL BLADES			
Plow Type	Blade Ass'y	Power Angling (Hardware kit)	Lift Frame Ass'y
SD2-S	53769-SE, 90"	53866-M (53018-M)	QL-SD2 (53853-Handle + 53704-M + 53858-04-M)
HD-S	50018-M-GA, 90"	51066-M-GA (51061-01-M)	QLIV-HI (53517-Handle + 53215-01)
	52343-M-GA, 96"	52346-M-GA (52275-01-M)	
	52344-M-GA, 102"		
	53468-M-GA, 108"		

Cutting Edge Quick Reference

Light Duty Poly Blade (LD-P)				
Blade Size	Blade Ass'y	Cutting Edge Part#	Bolt Bag Part#	Cutting Edge, Description
84"	53667-84-LD	53688-84-B	53345-M	1" x 4" Offset, Poly
90"	53667-LD	53688-B		

Homeowner Poly Blade (HOP)				
Blade Size	Blade Ass'y	Cutting Edge Part#	Bolt Bag Part#	Cutting Edge, Description
84"	53667-84-M	53688-84-B	53345-M	1" x 4" Offset, Poly
90"	53667-M	53688-B		

Standard Duty Poly Blade (SD-P)				
Blade size	Blade Ass'y	Cutting Edge Part#	Bolt Bag Part#	Cutting Edge, Description
84"	53667-84-SE	53141-B	52593-8-M	3/8" x 4" Offset, Steel
90"	53667-SE	52997-B		

SD2 Poly Blade (SD2-P)				
Blade size	Blade Ass'y	Cutting Edge Part#	Bolt Bag Part#	Cutting Edge, Description
90"	53867-M	53752-B	53345-M	3/8" x 6" Offset, Steel

Heavy Duty Poly Blade (HD-P)				
Blade size	Blade Ass'y	Cutting Edge Part#	Bolt Bag Part#	Cutting Edge, Description
90"	52264-M-GA	52233-M	52593-8-M	1/2" x 6" Offset, Steel
96"	52265-M-GA	52234-M		

Heavy Duty Extra Long Poly Blade (HDXL-P)				
Blade size	Blade Ass'y	Cutting Edge Part#	Bolt Bag Part#	Cutting Edge, Description
102"	52266-M-GA	52235-M	52593-10-M	1/2" x 6" Offset, Steel
108"	52267-M-GA	52236-M		

Extra Heavy Duty Poly Blade (XHD-P)				
Blade Size	Blade Ass'y	Cutting Edge Part#	Bolt Bag Part#	Cutting Edge, Description
120"	52943-M-GA	53030-B	12 x HH-00971-196 + 12 x HH- 00340-005	1/2" x 6" Offset, Steel

Heavy Duty Trip Edge Poly Blade (HDTE-P)				
Blade Size	Blade Ass'y	Cutting Edge Part#	Bolt Bag Part#	Cutting Edge, Description
90"	52482-M-GA	52233-M	52593-8-M	1/2" x 6" Offset, Steel
96"	52483-M-GA	52234-M		
108"	52485-M-GA	52236-M	52593-10-M	

Heavy Duty Trip Edge V Poly Blade (HDVTE-P)				
Blade Size	Blade Ass'y	Cutting Edge Part#	Bolt Bag Part#	Cutting Edge, Description
96"	52808-M-GA	2 x 53350-B	52593-10-M	1/2" x 6" x 45" Offset, Steel
108"	53020-M-GA	2 x 53351-B		1/2" x 6" x 51" Offset, Steel

Center Cutting Edge				
96" 108"	52808-M-GA 53020-M-GA	53169-M (c/w 53163-01-B (DS) + 53163-02-B (CS) + 52421-8-N)	52421-8-N (included in 53169-M)	Center Punch (Prior 2009)
96" 108"	52808-M-GA 53020-M-GA	53347-M (c/w 53347-01-B (DS) + 53347-02-B (CS) + 52421-8-N)	52421-8-N (included in 53347-M)	Top Punch (After 2009)

Heavy Duty Trip Edge Flared V Poly Blade (HDFVTE-P)				
Blade Size	Blade Ass'y	Cutting Edge Part#	Bolt Bag Part#	Cutting Edge, Description
96"	53719-M	2 x 53350-B	52593-10-M	1/2" x 6" x 45" Offset, Steel
108"	53722-M	2 x 53351-B		1/2" x 6" x 51" Offset, Steel

Center Cutting Edge				
96" 108"	53719-M 53722-M	53347-M (c/w 53347-01-B (DS) + 53347-02-B (CS) + 52421-8-N)	52421-8-N (included in 53347-M)	-

Variable Attack WING Blade (VAW-P)				
Blade Size	Blade Ass'y	Cutting Edge Part#	Bolt Bag Part#	Cutting Edge, Description
96"	53823-M	52234-M	52593-8-M	1/2" x 6" Offset, Steel
Side WINGS Cutting Edge				
96"	53823-M	53505-N	6 x HH-00293-095 (1/2" x 2 3/4" Carriage bolt) + 12 x HH-00341-006 (1/2" flat washer) + 6 x HH-00340-003 (1/2" Nylon Inserts lock nut)	Poly Urethane

Light Duty Steel Blade (LD-S)				
Blade Size	Blade Ass'y	Cutting Edge Part#	Bolt Bag Part#	Cutting Edge, Description
90"	53769-LD	53790-D	53345-M	1" x 4" Offset, Poly

Homeowner Steel Blade (HOP-S)				
Blade Size	Blade Ass'y	Cutting Edge Part#	Bolt Bag Part#	Cutting Edge, Description
90"	53769-M-GA	53790-D	53345-M	1" x 4" Offset, Poly

SD2 Steel Blade (SD2-S)				
Blade Size	Blade Ass'y	Cutting Edge Part#	Bolt Bag Part#	Cutting Edge, Description
90"	53769-SE	53801-B	52593-8-M	3/8" x 4" Offset, Steel

Heavy Duty Steel Blade (HD-S)				
Blade Size	Blade Ass'y	Cutting Edge Part#	Bolt Bag Part#	Cutting Edge, Description
90"	50018-M-GA	50035-N	52593-8-M	1/2" x 6" Center Punch, Steel
96"	52343-M-GA	50036-N		
102"	52344-M-GA	50030-B		
108"	53468-M-GA	51161-C	52593-10-M	

Plow Partner Steel Blade (PP)				
Blade Size	Blade Ass'y	Cutting Edge Part#	Bolt Bag Part#	Cutting Edge, Description
84"	51041-84-D	51044-84-B	52593-8-M	3/8" x 5" Offset, Steel
90"	51041-90-D	51044-90-B		
96"	51041-96-D	51044-96-B		
Side Cutting Edge				
84"	51041-84-D	51045-01-A	6 x HH-00293-050 (3/8 x 1.25" Bolt) + 6 x HH-00341-004 (3/8" flatwasher) + 6 x HH-00340-001 (3/8" Nylon Inserts lock nut)	1/4", Steel
90"	51041-90-D			
96"	51041-96-D			

Bolt Bag kits:

- 53345-M, c/w 8 x HH-00971-138 (1/2" x 2" Carriage bolt) + 8 x HH-00340-003 (1/2" nylon inserts lock nut)
- 52593-8-M, c/w 8 x HH-00971-137G8 (1/2" x 1 3/4" Grade 8 Carriage bolt) + 8 x HH-00340-003 (1/2" nylon inserts lock nut)
- 52593-10-M, c/w 10 x HH-00971-137G8 (1/2" x 1 3/4" Grade 8 Carriage bolt) + 10 x HH-00340-003 (1/2" nylon inserts lock nut)
- 52421-8-N, c/w 8 x HH-00971-140 (1/2" x 2 1/2" Carriage bolt) + 8 x HH-00457-001 (1/2" lockwasher) + 8 x HH-00294-005 (1/2" hex nut)