

Table of Contents

Tarp for Galvanized spreader2
Vibrator Kit..... 4
Hitch Mounted Spinner Guard8
Sander V Extension Plate..... 12
LED work light kit..... 13
Sander Hopper Extensions.....15

Tarp for Galvanized Spreader

90247-06-M

90247-08-M

90247-10-M

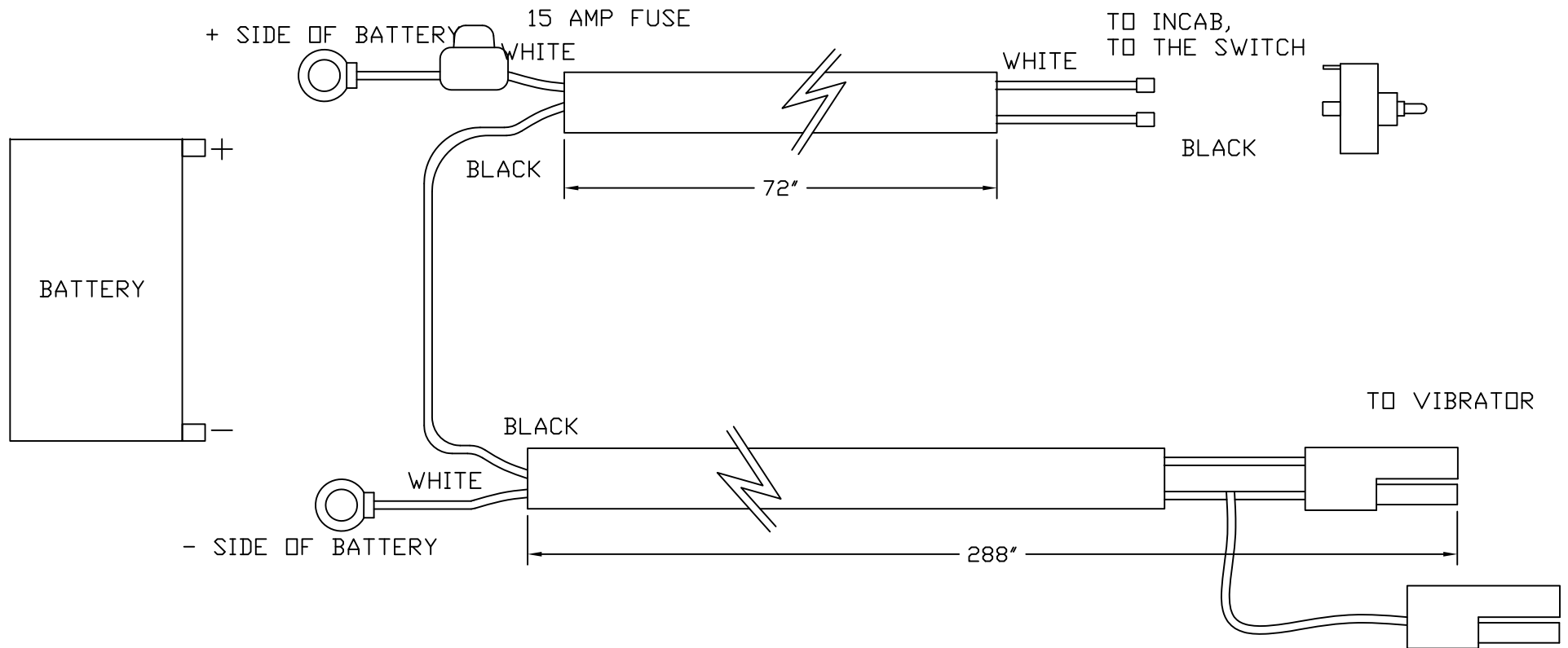
Tarp for the Galvanized Sander

Tarp kit for AG6 Sander, 90247-06-M			
	Part#	Description	Quantity
1	90246-06-N	AG6 Sander Tarp	1
2	90246-N	AG Sander Tarp 26 Inch Strap	13
3	90250-N	Tarp Protector	4
Tarp kit for AG8 Sander, 90247-08-M			
	Part#	Description	Quantity
1	90246-08-N	AG8 Sander Tarp	1
2	90246-N	AG8 Sander Tarp 26 Inch Strap	13
3	90250-N	Tarp Protector	4
Tarp kit for AG10 Sander, 90247-10-M			
	Part#	Description	Quantity
1	90246-10-N	AG10 Sander Tarp	1
2	90246-N	AG10 Sander Tarp 26 Inch Strap	13
3	90250-N	Tarp Protector	4



Vibrator Kit

Part # 90290-80-M & 90291-200-M



Vibrator kit for a hitch mount poly salter 90290-80-M			
	<i>Part #</i>	<i>Description</i>	<i>Quantity</i>
1	90290-80-N	Vibrator	1
2	90292-B	Harness	1
3	90310-N	On/Off Switch	1
4	90257-A	Support Plate	1
5	HH-00300-051	3/8" x 1 1/2 Hex Head Screw Stainless Steel	4
6	90293-N	3/8" Flat Washer Stainless Steel	4
7	HH-00086-001	3/8" Nut with Nylon Insert Stainless Steel	4
8	52018-M	Bracket	1

Installation Instructions for hitch mount poly salter:

1. Locate the vibrator (1) as shown on the picture below, approximately 7" (+/- 1") from the line off the throat entry.
2. Mark the mounting holes on the hopper and drill 7/16" holes through.
3. Install the support plate (4) from the inside of hopper and secure it using 3/8bolt, flat washer and nut (5)(6)(7).
4. Disconnect vehicle electrical system from the battery. Install the harness, the switch (switch mounting bracket) as shown on the attached diagram.



Vibrator kit for a galvanized and a poly sander 90291-200-M			
	Part #	Description	Quantity
1	90291-200-N	Vibrator	1
2	90292-B	Harness	1
3	90310-N	On/Off Switch	1
4	90257-A	Support Plate	1
5	HH-00300-051	3/8" x 1 1/2 Hex Head Screw Stainless Steel	4
6	90293-N	3/8" Flat Washer Stainless Steel	4
7	HH-00086-001	3/8" Nut with Nylon Insert Stainless Steel	4
8	52018-M	Bracket	1

Installation Instructions for the galvanized and the poly sander:

1. Locate the vibrator (1) as shown on the picture below.
2. Mark the mounting holes on the hopper and drill 7/16" holes through.
3. Install the support plate (4) from the inside of poly hopper (it is not necessary to install that plate for the galvanized sander) and secure it using 3/8bolt, 3/8 flat washer and 3/8 nut (5)(6)(7).

Disconnect vehicle electrical system from the battery. Install the harness, the switch (switch mounting bracket) as shown on the attached diagram.

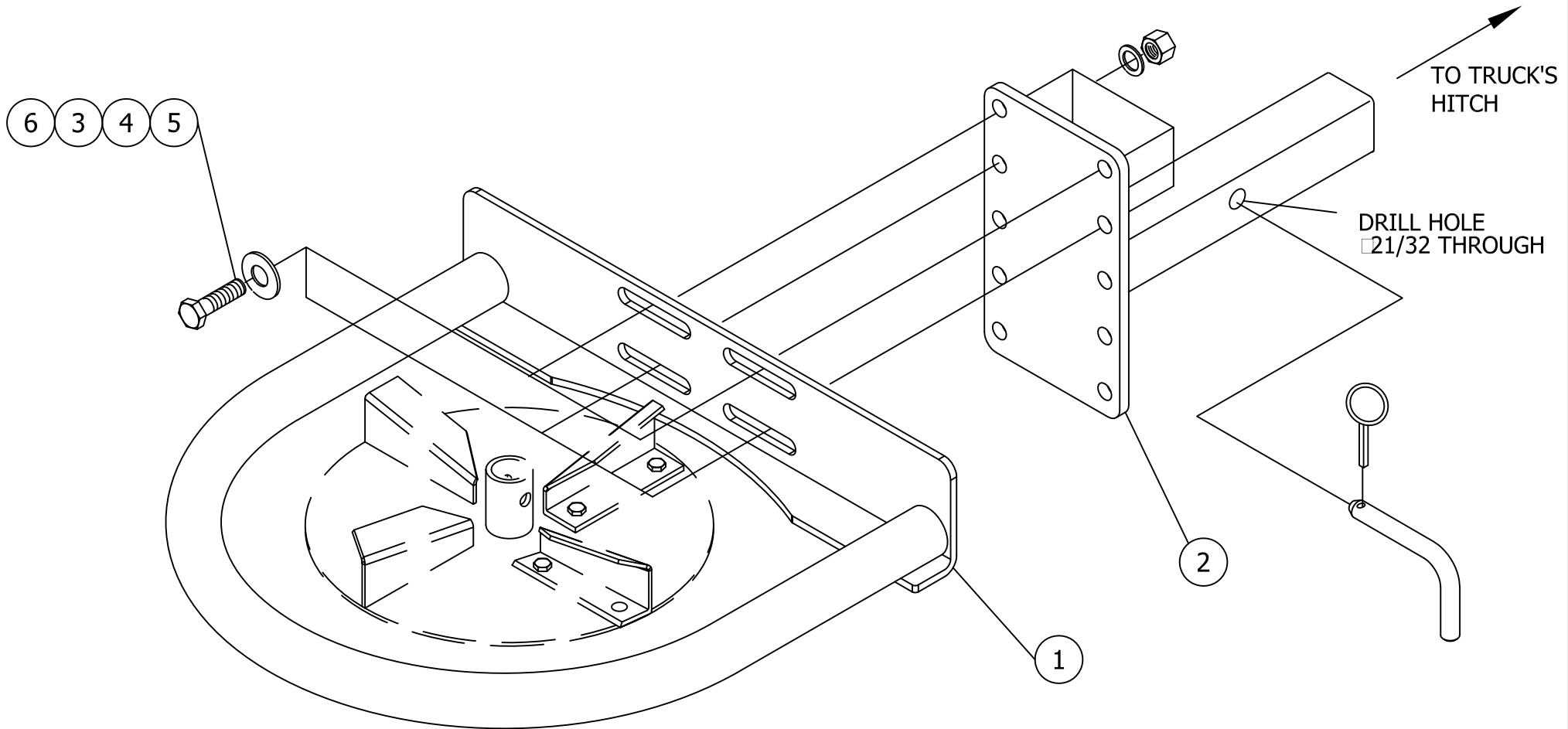


Warning: Vibration is a destructive force and it may damage sander and hopper body. You may use this vibrator at your own risk. In no event shall Arctic Equipment Manufacturing Corporation be liable for claims for loss of use or consequential damages.

Arctic Equipment Manufacturing Corporation reserves the right under its product improvement policy to change construction or design details and furnish equipment when so altered without reference to illustrations or specifications used.

Hitch Mounted Spinner Guard

Part # 90175-M



Spinner Guard			
Item	Part #	Description	Quantity
1	90176-B	Hoop Weldment	1
2	90179-B	Receiver weldment, spinner guard	1
3	HH-00341-006	½” Flatwasher	4
4	HH-00457-001	½” Lockwasher	4
5	HH-00460-002	½” – 20 Hex nut	4
6	HH-00972-090	½”-20, 1 ½ Bolt	4
7	51830-B	5/8”, 2 ½” long hitch pin assembly	1

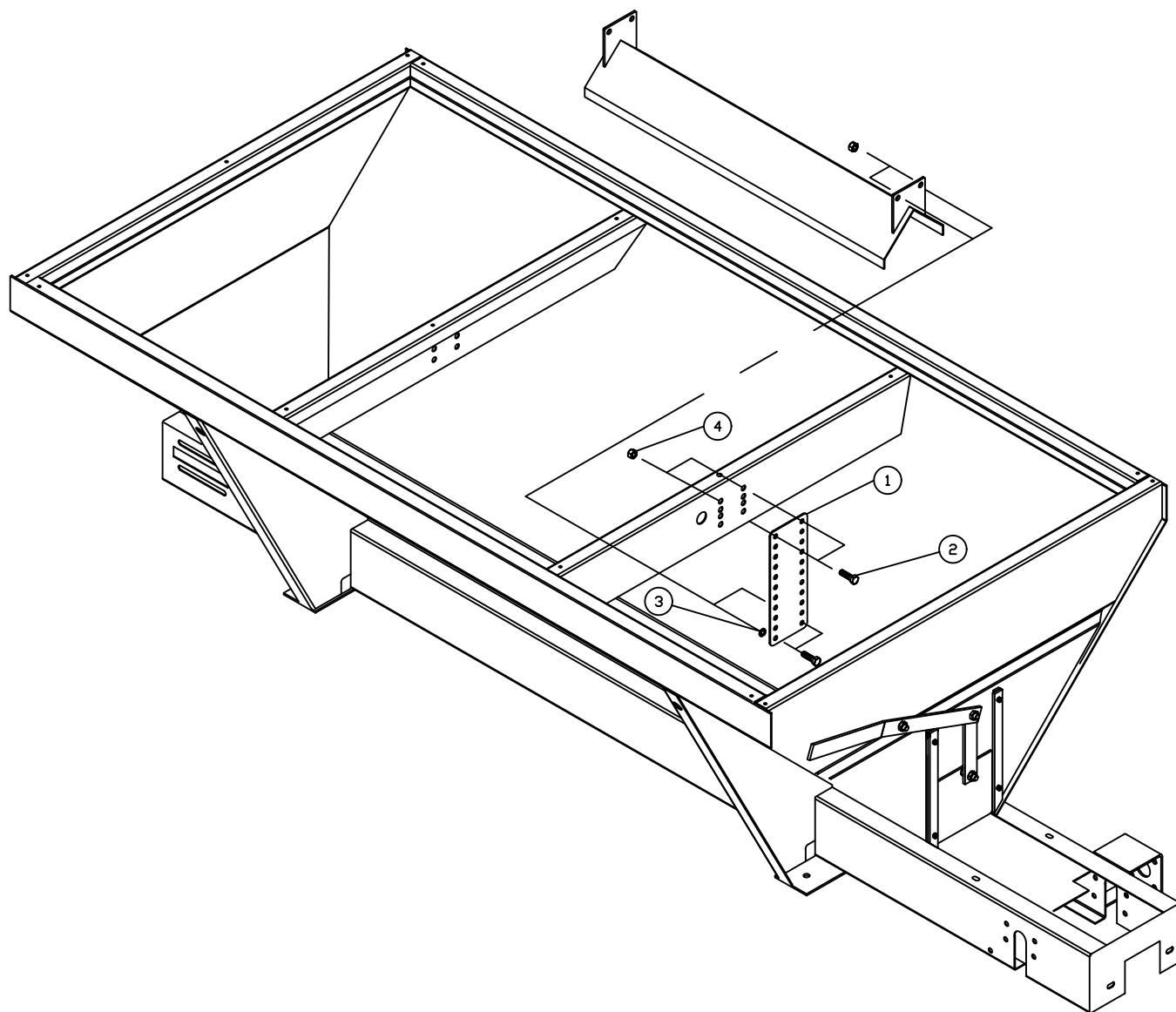
Mounting Instructions:

- 1: With sander installed and securely in place, insert Receiver weldment (2) into vehicle hitch.
- 2: Using provided hardware, attach the Hoop weldment (1) to Receiver weldment (2) in a position that best protects the spinner disc from impact and does not impede the spreading of sand/salt. Hoop should function best if it is located approx. 1” below the bottom of the spinner disc.
- 3: Once the proper location is determined, the hitch pin (7) hole (21/32” dia.) should be drilled in the receiver weldment (tube) (2) (Use the vehicle hitch pin hole as a guide).
- 4: After all parts are installed and tightened, ensure the hitch pin (7) is inserted and secured properly.

Warning:

- Spinner guard is not a substitute for good driving practices. Always drive with care and be aware of your surroundings (obstructions).
- Spinner guard should only be used for original manufacturer’s application.
- Do not use as a step
- Do not alter or modify spinner guard
- Do not tow with spinner guard in place.
- Remove spinner guard when sander is not in truck

Arctic Equipment Manufacturing Corporation reserves the right under its product improvement policy to change construction or design details and furnish equipment when so altered without reference to illustrations or specifications used.

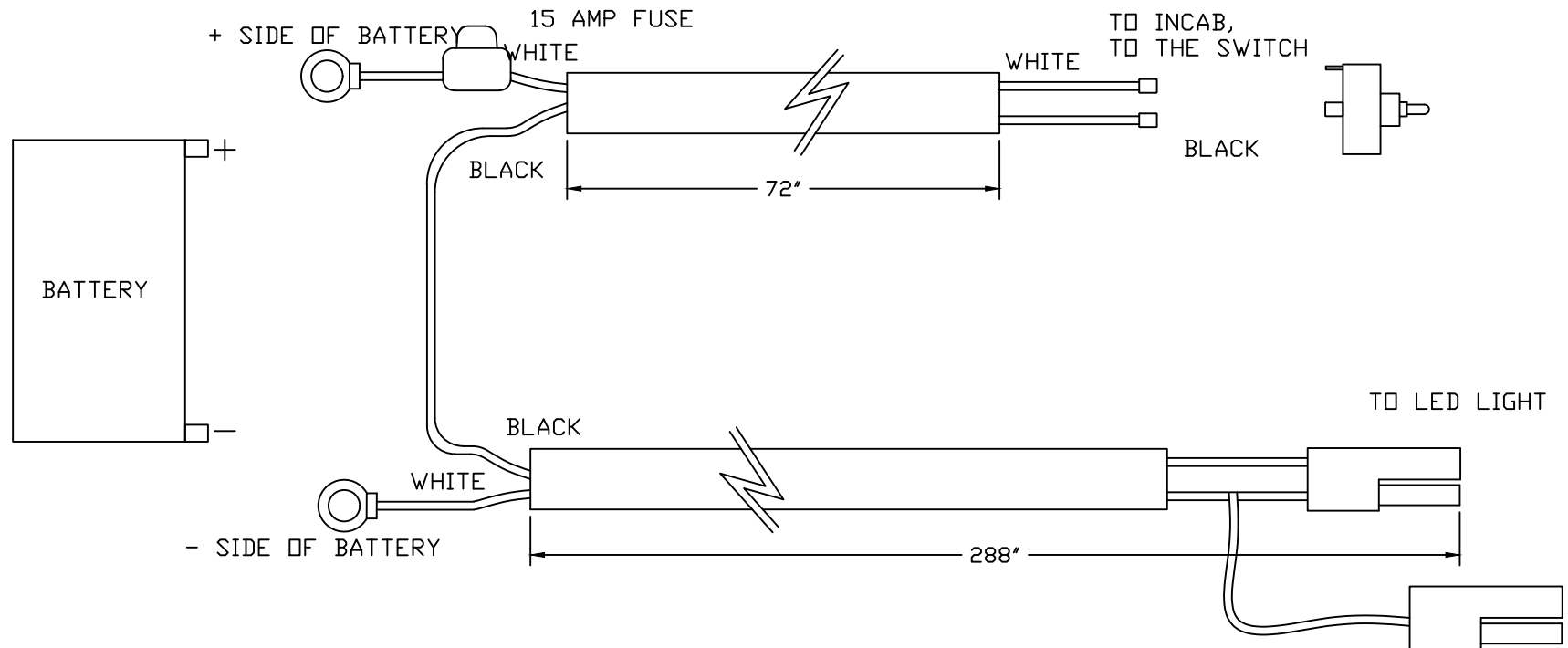


Sander V Extension plate kit

Sander V Extension Plate kit 90251-M			
Item	Part#	Description	Quantity
1	90251-01-A	Sander V Extension Plate (Galvanized)	2
2	HH-00293-070	7/16-14x1 ¼ Hex Head Cap Screw	4
3	HH-00341-005	7/16" Flat-washer	4
4	HH-00340-002	7/16" nylon insert	4

Work light (LED) kit for Sander

Part# 90315-M

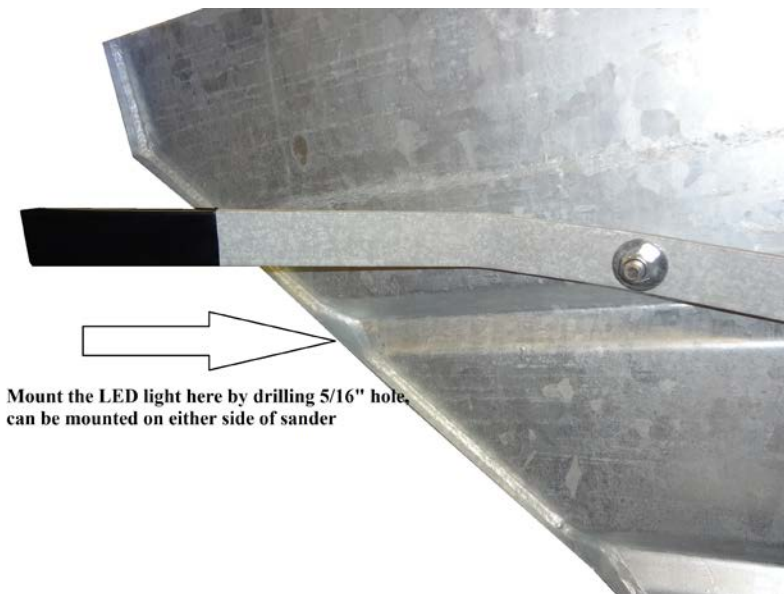


Work light kit 90315-M			
	Part#	Description	Quantity
1	90311-M	4 1/2" Round LED Work light, 1800 lumens	1
2	90004-M	On/Off switch	1
3	52018-M	Light Switch bracket	1
4	90292-B	Harness	1



Installation Instructions for work light kit:

1. Attach the battery connections from wire to the battery.
2. Mount switch inside the cab using switch bracket provided in the kit.
3. Run wires from harness inside the cab, connect them to the switch.
4. Mount the LED light in appropriate location shown above by drilling 5/16" holes, light can be mounted on either side of sander based on length of the harness.
4. Run the harness all the way to back of sander, plug the two-way trailer plug connectors to the LED light.



Mount the LED light here by drilling 5/16" hole, can be mounted on either side of sander



Mount the LED light here by drilling 5/16" hole, can be mounted on either side of the Hitch Mount Salter

Arctic Equipment Manufacturing Corporation reserves the right under its product improvement policy to change construction or design details and furnish equipment when so altered without reference to illustrations or specifications used.

Hopper Extensions for Sander

Part# 90136-M

Hopper Extension 90136-M			
	Part#	Description	Quantity
1	90136-B	Galvanized Spreader Hopper Extensions	2
2	HH-00972-089	½ - 20 x 1 ¼” HHCS	8
3	HH-00540-004	½” Locknut	8
4	HH-00341-006	½” Flat Washers	8



Arctic Equipment Manufacturing Corporation reserves the right under its product improvement policy to change construction or design details and furnish equipment when so altered without reference to illustrations or specifications used.