

Mounting Kit 53923-MKPBX

Nissan Frontier 2005-2023

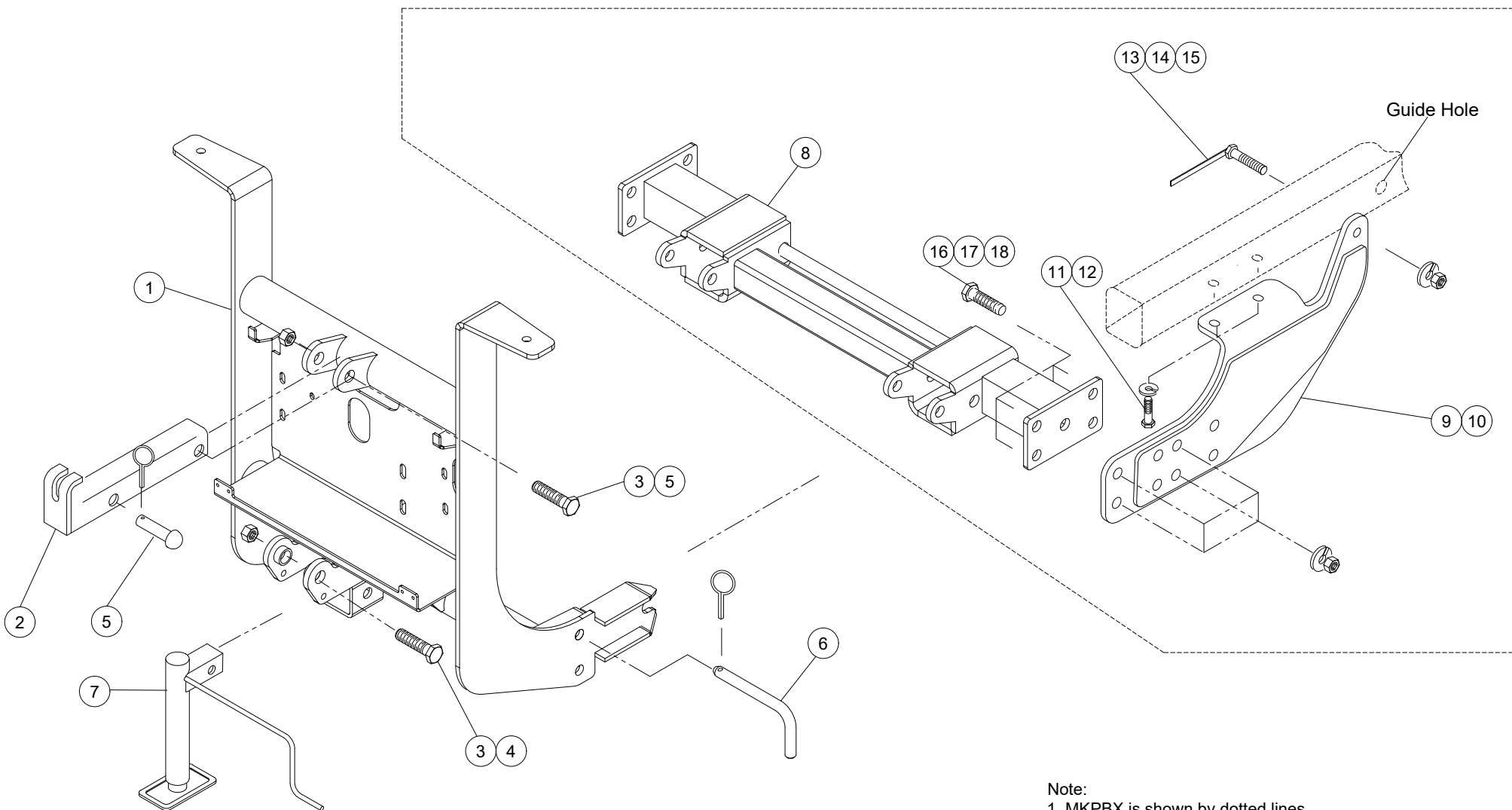
Personal Use Only

▲ Warning

Arctic Equipment Manufacturing Corporation (Arctic) does not assume liability for damage to your motor vehicle resulting from the attachment or use of an Arctic snowplow. The purchaser assumes all vehicle risk associated with the attachment and operation of this snowplow. The Arctic snowplow you purchase must be used only on vehicles equipped with the manufacturer's snow plow preparation packages. Snow plowing without the original plow preparation package may damage your vehicle. The added weight may impair the operation and control of your vehicle. Snow plowing with a vehicle not recommended for that purpose by the manufacturer may void your new vehicle warranty. If your vehicle is not equipped with an original snow plow preparation package, additional equipment may be necessary before snow plowing. Please consult your vehicle and snowplow dealers prior to the purchase and installation of the snowplow. The installation of such parts however is not a full substitute for the original equipment snowplow preparation package.

The loaded vehicle, including all aftermarket accessories, the snowplow, passengers and cargo, must not exceed the gross vehicle weight ratings (GAWR), front gross axle weight rating (FGAWR) or rear gross axle weight rating (RGAWR) specified on the Safety Compliance Certification Label located in the driver's side door opening. It is the operator's responsibility to verify that these ratings are not exceeded. The use of rear ballast weight may be required to prevent exceeding the front GAWR.

To determine the Gross Axle Weights for your vehicle, including all aftermarket accessories, the snowplow, passengers and cargo, take your loaded vehicle and the snowplow to a scale. With the snowplow attached, place the front wheels of the vehicle on the scale to get the front gross axle weight (FGAW). To get the rear gross axle weight (RGAW), place the back wheels of the vehicle on the scale.



Note:
 1. MKPBX is shown by dotted lines.
 2. All bolts are included in MKPBX.
 3. Please use LOCTITE®, or similar locking product on ALL mounting hardware (bolts, nuts, etc.).

53923-MKPBX			
Item	Part #	Description	Quantity
1	53613-D	Lift Frame	1
2	50069-C-GA	Lift Channel (1.5" Cylinder)	1
3	HH-00972-153	3/4 x 3 1/2" UNF Cap Screw	2
4	HH-00973-007	3/4" UNF Lock nut	2
5	52757-M	Rivet Assy (rivet & lynch pin)	1
6	1302045	Pin Assembly	2
7	52373-M	Jack Assembly	1
8	53921-D	Spreader Bar	1
9	53922-01-A	Frame Bracket Driver Side	1
10	53922-02-A	Frame Bracket Curb Side	1
11	HH-00909-033	12mm-1.25 x 50mm 12.9G bolt	4
12	HH-00933-004	12mm lockwasher	4
13	52575-A	1/2-20 x 1 1/2" bolt with 6" welded handle	2
14	HH-00294-001	1/2 -20 hex nut	2
15	HH-00457-001	1/2" lockwasher	2
16	HH-00972-129	5/8-18 x 1 3/4 HHCS	8
17	HH-00457-003	5/8" Lockwasher	8
18	HH-00460-001	5/8-18 hex nut	8

Quick Link is a trademark of Arctic Equipment Manufacturing Corporation.

Installation Instructions

Before drilling any holes in the firewall or frame, move brake lines, fuel lines and/or electrical wiring from the path of the drill. Brake and fuel lines must also be clear of any fasteners. Do not under any circumstances disable, remove or relocate any sensors or other components related to the operation of the air bags.

General order of installation:

- install all components (mounting bracket, thrust arm and spreader bar) and all fasteners finger tight (snug) through existing holes,
- use removable grade LOCTITE #242 on all bolts,
- drill necessary holes and
- tighten all hardware.

After first use, re tighten all mounting bolts; thereafter check mounting bolt tightness periodically and at the start of the season.

Before proceeding, read instructions carefully and familiarize yourself with the components and hardware.

NOTE: It may be necessary, on some vehicles, to use a form of load booster to decrease the vehicle's front suspension sag when snowplows is attached to the vehicle. This can be done with the use of booster springs, supplementary air bags or similar load boosting devices. It is up to the customer to choose and purchase the product that suits this application.

Arctic Equipment Manufacturing reserves the right, under its product improvement policy, to change construction, design details or specifications without notice or without incurring any obligation.

1. Remove the bottom skid plates from the vehicle (see picture 1 and 2). It may be later installed back on the vehicle. Bumper can stay on the vehicle.



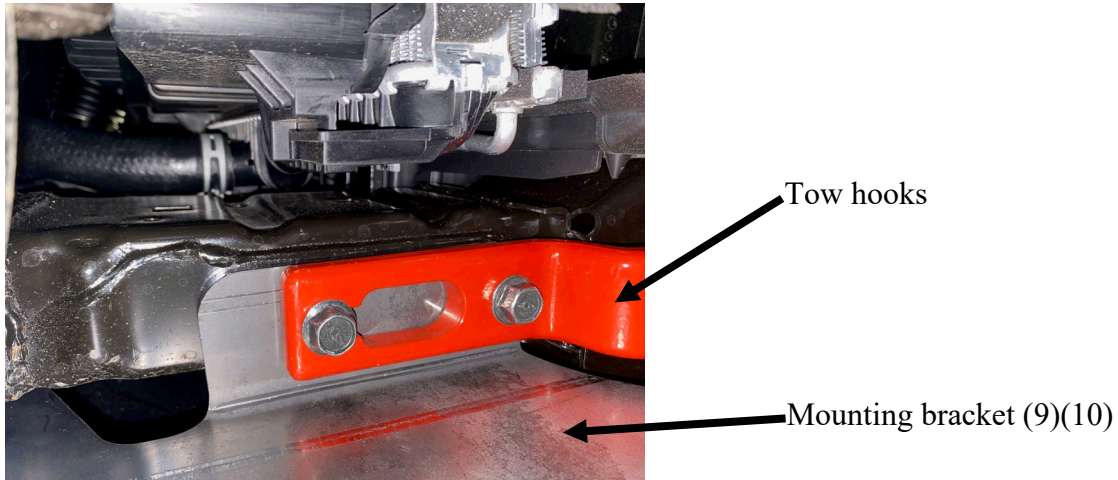
Picture 1



Picture 2

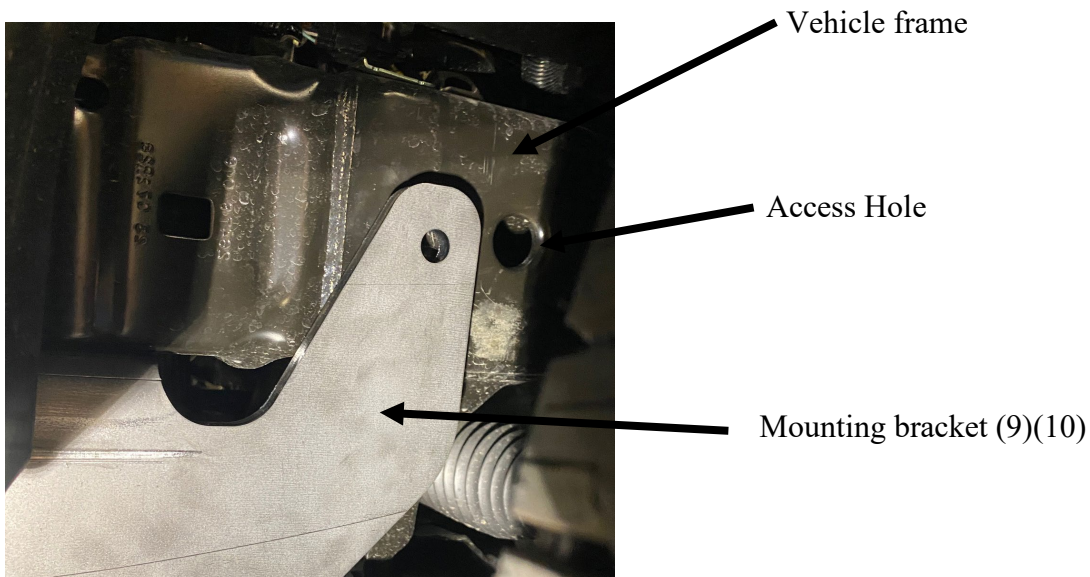
2. Remove vehicle tow hooks.

3. Install DS and CS mounting bracket (9)(10) on the vehicle by aligning two bottom slots on mounting bracket (9)(10) to two tow hook holes on vehicle frame. Add the tow hook back on the vehicle, making the mounting bracket (9)(10) gets sandwiched between vehicle frame and tow hooks (see Picture 3).



Picture 3

4. Insert 12mm bolt (11) and lockwasher (12) through the tow hook, mounting bracket and threaded hole on vehicle frame.
5. Make sure DS and CS mounting brackets (9)(10) are flushed properly with vehicle frame, drill 1 x 9/16" hole on vehicle frame using rear hole on mounting brackets (9)(10) as guide.
6. Using access hole on vehicle frame (see picture 4), insert 1/2" bolt with welded handle (13) through mounting bracket (9)(10) through vehicle frame and secure it with 1/2" lockwasher (15) and 1/2" hex nut (14).



Picture 4

7. Insert the spreader bar (8) in between mounting bracket (9)(10), jack the spreader (8) up, and according to the bumper, slide the spreader bar (8) back/forth so that holes on mounting holes (9)(10) aligns with spreader bar (8).
8. Skid plates removed earlier can be inserted back on the vehicle.
9. Torque all the fasteners according to the torque chart.
10. Return any unused items to the customer so that the vehicle can be returned to its original condition once the snowplow is removed.
11. See separate installation instructions for hydraulic power unit, wiring and controls.

Suggested torque value for bolts				
Thread Size	Grade 5		Grade 8	
	Dry (ft. lb)	Oiled (ft.lb)	Dry (ft. lb)	Oiled (ft.lb)
¼-20	8	6	12	9
¼-28	10	7	14	11
5/16-18	17	13	24	18
5/16-24	19	15	27	21
3/8-16	31	24	44	34
3/8-24	35	27	49	38
7/16-14	49	38	70	54
7/16-20	55	42	78	60
½-13	75	58	105	82
½-20	85	65	120	90
5/8-11	150	115	210	165
5/8-18	170	130	240	185
¾-10	270	205	375	290
¾-16	295	230	420	320
7/8-9	395	305	605	455
7/8-14	435	335	670	515
1-8	590	455	905	695
1-14	660	510	1030	785

Arctic Equipment Manufacturing Corporation reserves the right under its product improvement policy to change construction or design details and furnish equipment when so altered without reference to illustrations or specifications used herein.

