

Mounting Kit 53828-MKPB-QLIV

W1500 RAM 4x4
2019-2023 New Style

Personal Use Only

For snowplow lights, this kit requires:
800084 or 800086 light kit.
800089-MPX light adapter for Front Installation (Snowplow Prep Package Only)

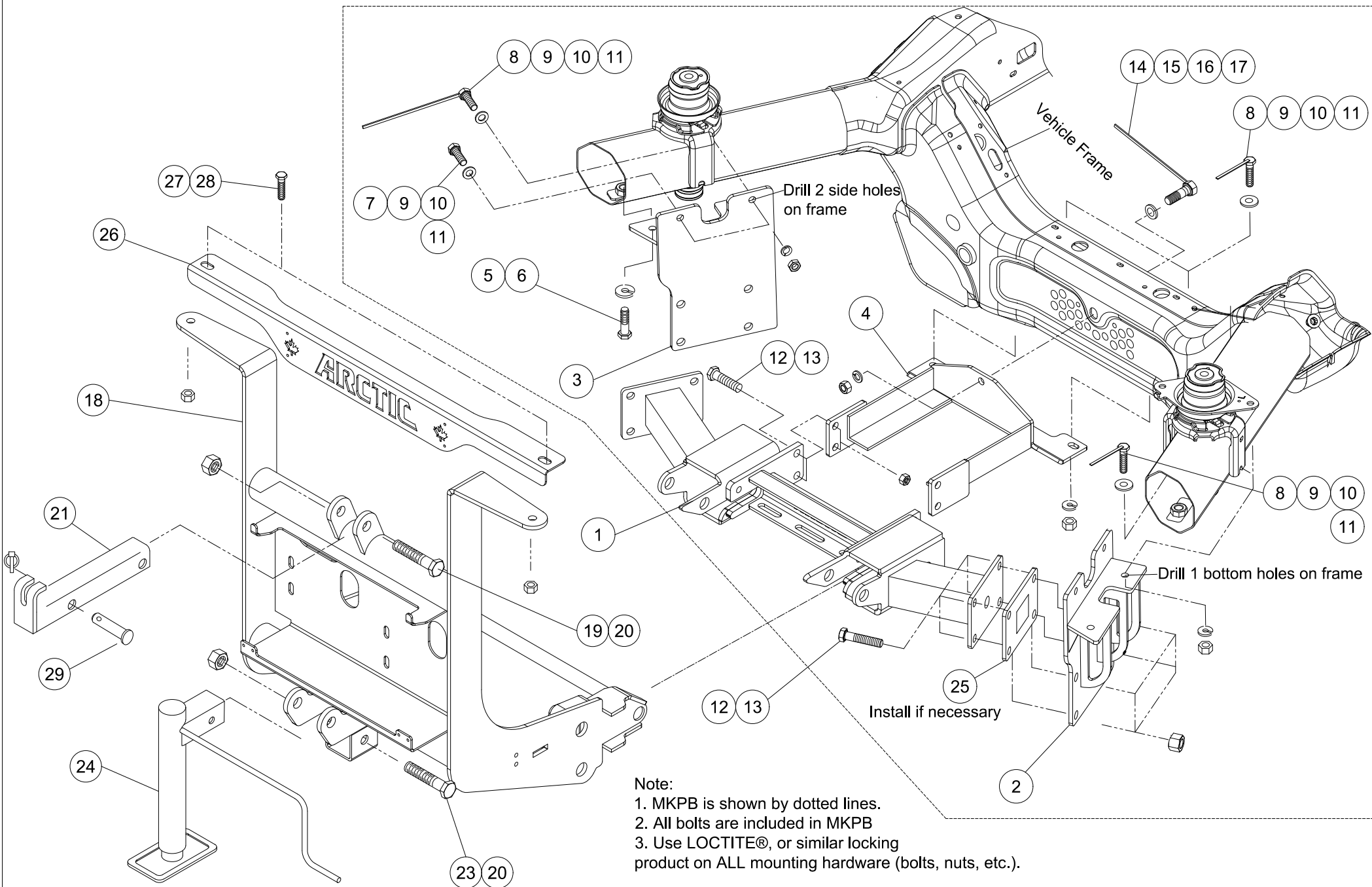
▲ Warning

Arctic Equipment Manufacturing Corporation (Arctic) does not assume liability for damage to your motor vehicle resulting from the attachment or use of an Arctic snowplow. The purchaser assumes all vehicle risk associated with the attachment and operation of this snowplow.

The Arctic snowplow you purchase must be used only on vehicles equipped with the manufacturer's snow plow preparation packages. Snow plowing without the original plow preparation package may damage your vehicle. The added weight may impair the operation and control of your vehicle. Snow plowing with a vehicle not recommended for that purpose by the manufacturer may void your new vehicle warranty. If your vehicle is not equipped with an original snow plow preparation package, additional equipment may be necessary before snow plowing. Please consult your vehicle and snowplow dealers prior to the purchase and installation of the snowplow. The installation of such parts however is not a full substitute for the original equipment snowplow preparation package.

The loaded vehicle, including all aftermarket accessories, the snowplow, passengers and cargo, must not exceed the gross vehicle weight ratings (GAWR), front gross axle weight rating (FGAWR) or rear gross axle weight rating (RGAWR) specified on the Safety Compliance Certification Label located in the driver's side door opening. It is the operator's responsibility to verify that these rating are not exceeded. The use of rear ballast weight may be required to prevent exceeding the front GAWR.

To determine the Gross Axle Weights for your vehicle, including all aftermarket accessories, the snowplow, passengers and cargo, take your loaded vehicle and the snowplow to a scale. With the snowplow attached, place the front wheels of the vehicle on the scale to get the front gross axle weight (FGAW). To get the rear gross axle weight (RGAW), place the back wheels of the vehicle on the scale.



53828-MKPB-QLIV			
Item	Part #	Description	Quantity
1	53829-D	Spreader Bar	1
2	53838-01-C	Driver Side Frame Bracket	1
3	53838-02-C	Curb Side Frame Bracket	1
4	53834-C	Thrust Arm Assembly	1
5	HH-00909-091	M14 x 50mm Bolt	2
6	HH-00933-005	M14 Lock washer	2
7	HH-00972-090	½" -20 x 1 1/2" UNF HHCS	2
8	52320-A	½" x 1 ½" bolt with welded handle	6
9	HH-00341-006	½" Flat washer	8
10	HH-00457-001	½" lock washer	8
11	HH-00460-002	½" -20 Hex Nut	8
12	HH-00972-130	5/8" -18 x 2" UNF HHCS	12
13	HH-00540-002	5/8" -18 Nylon Insert	12
14	52575-19-A	5/8" x 1 ¾" bolt with welded handle	1
15	HH-00341-008	5/8" Flat washer	1
16	HH-00457-003	5/8" lock washer	1
17	HH-00460-001	5/8" Hex nut	1
18	53853-HANDLE	QLIV SD2 lift frame c/w handle	1
19	HH-00972-153	¾" x 3 ½" HHCS	2
20	HH-00973-007	¾" Thin Collar Lock nut	3
21	50069-C-GA	Lift Channel (1.5" Lift cylinder)	1
22	HH-00972-149	¾" x 2 1/2" HHCS	1
23	HH-00972-155	¾" x 4" HHCS	1
24	52373-M	Jack Assembly	1
25	53843-A	Spacer	2
26	53858-04-M	Arctic Logo Plate c/w backing plate	1
27	HH-00971-105	7/16 -14 x 1 ¼" Carriage bolt G5	2
28	HH-00340-002	7/16-14 Nylon Insert Lock nut	2
29	52757-M	Pin Ass'y	1
30*	53828-M-WB	53828 Bolt Bag c/w welded bolts	-

Quick Link is a trademark of Arctic Equipment Manufacturing Corporation.

Items marked with * are not mentioned in drawing.

Installation Instructions

Before drilling any holes in the firewall or frame, move brake lines, fuel lines and/or electrical wiring from the path of the drill. Brake and fuel lines must also be clear of any fasteners. Do not under any circumstances disable, remove or relocate any sensors or other components related to the operation of the air bags.

General order of installation:

- install all components (mounting bracket, thrust arm and spreader bar) and all fasteners finger tight (snug) through existing holes,
- use removable grade LOCTITE #242 on all bolts,
- drill necessary holes and
- tighten all hardware.

After first use, re tighten all mounting bolts; thereafter check mounting bolt tightness periodically and at the start of the season.

Before proceeding, read instructions carefully and familiarize yourself with the components and hardware.

NOTE: It may be necessary, on some vehicles, to use a form of load booster to decrease the vehicle's front suspension sag when snowplows is attached to the vehicle. This can be done with the use of booster springs, supplementary air bags or similar load boosting devices. It is up to the customer to choose and purchase the product that suits this application.

Arctic Equipment Manufacturing reserves the right, under its product improvement policy, to change construction, design details or specifications without notice or without incurring any obligation.

Installation Instructions

1. Remove the active air dam from the vehicle (Refer to Picture 1). Return it to the customer for the future use if mount is removed from vehicle.



Picture 1

2. Remove the bumper by unfastening bumper bolts from a vehicle. Remove the plastic bumper valence. Bumper will get reinstalled without bumper valence once mounting kit is installed. (Refer to Picture 2). Also remove tow hooks, return it to customer for the future use when mount is removed from the vehicle.



Picture 2

Bumper Valence

3. Install the frame bracket (2)(3) on the vehicle frame. Be sure to align first hole on the bottom of the frame bracket with the tow hook mounting hole (M14 nut inside of the vehicle). Insert M14 bolt (5) along with lock washer (6) through the bottom of the frame. Apply removeable grade of Loctite to M14 bolt.

4. Make sure that the frame bracket is tight to the bottom and the side of the vehicle frame. When the frame bracket is tight to the vehicle frame, drill 3 x 9/16" holes (each side) using holes in the frame bracket (2)(3) as guides.
5. At the rear bottom hole, add 1/2" bolt with welded handle (8) along with 1/2" flat washer (9), secure it with 1/2" lock washers (10) and hex nut (11). Do it same with the rear side hole.
6. On the side of vehicle frame (front hole), insert 1/2" bolt (7) with 1/2" flat washer (9), secure it with 1/2" lock washers (10) and hex nut (11).
7. Mount the thrust arm assembly (4) onto the vehicle cross member (Refer to Picture 3).



Picture 3

8. From the rear of cross member, insert 5/8" bolt with welded handle (14) (might have to bend the handle for adjustment) along with flat washer (15) through thrust arm and secure it with lock washers (16) and hex nut (17).
10. Insert 2 x 1/2" bolt with welded handle (8) (might have to bend the handle for adjustment) along with flat washer (9) through the two slots in thrust arm and secure it with lock washers (10) and hex nut (11).
11. Insert spreader bar (1) in between the frame brackets (2)(3) & thrust arm assembly (4) and secure it to frame bracket (2)(3) and thrust arm assembly (4) using 5/8" bolts (12) & 5/8" nuts with nylon inserts (13).
12. If needed, insert spacer (25) in between spreader (1) and frame brackets (2)(3).
13. Torque all fasteners according to the torque chart.
14. Return any unused items to the customer so that the vehicle can be returned to its original condition if the snowplow is removed.
15. See separate installation instructions for the hydraulic power unit, wiring and controls.

Suggested torque value for bolts				
Imperial				
Thread Size	Grade 5		Grade 8	
	Dry (ft. lb)	Oiled (ft.lb)	Dry (ft. lb)	Oiled (ft.lb)
¼-20	8	6	12	9
¼-28	10	7	14	11
5/16-18	17	13	24	18
5/16-24	19	15	27	21
3/8-16	31	24	44	34
3/8-24	35	27	49	38
7/16-14	49	38	70	54
7/16-20	55	42	78	60
½-13	75	58	105	82
½-20	85	65	120	90
5/8-11	150	115	210	165
5/8-18	170	130	240	185
¾-10	270	205	375	290
¾-16	295	230	420	320
7/8-9	395	305	605	455
7/8-14	435	335	670	515
1-8	590	455	905	695
1-14	660	510	1030	785
Metric				
Thread Size	Class 8.8 (ft.lb)	Class 10.9 (ft.lb)		
M14 x 2	107	148		

Arctic Equipment Manufacturing Corporation reserves the right under its product improvement policy to change construction or design details and furnish equipment when so altered without reference to illustrations or specifications used herein.