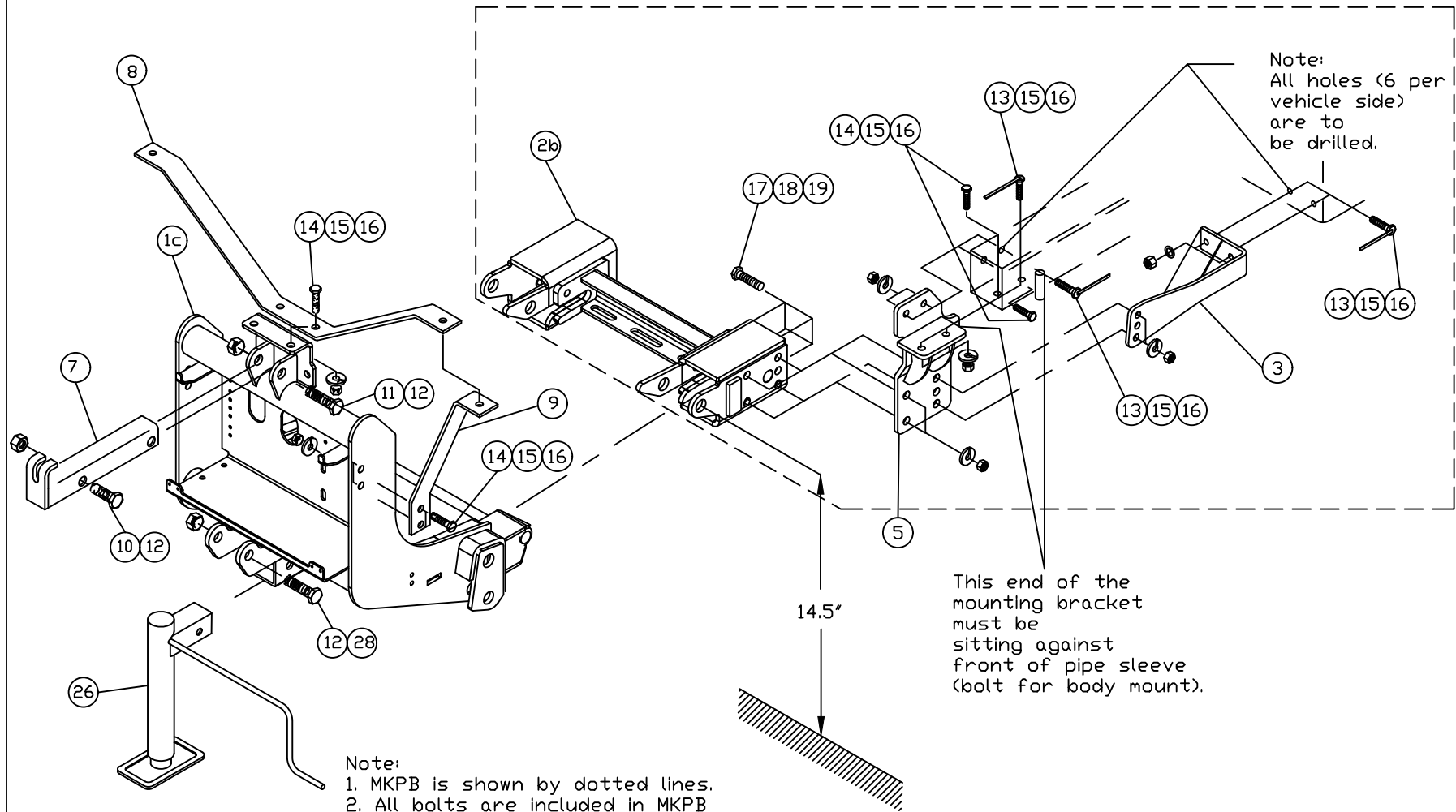


Mounting Kit 53196-MKPB-QLIV

Dodge Dakota 4 x 4 (2005 - 2012)

- For the snowplow lights (2005-2012), this kit requires:
800084, 800085 or 800086 Light kit,
53617-M wiring kit and 800034 Adapter (vehicle's headlamp bulb H13)



Note:
All holes (6 per
vehicle side)
are to
be drilled.

This end of the
mounting bracket
must be
sitting against
front of pipe sleeve
(bolt for body mount).

Note:
1. MKPB is shown by dotted lines.
2. All bolts are included in MKPB
(two 3/4" UNF x 4" bolts are
added in QLII-HI-MKB-TE).
3. Please use LOCTITE®, or similar locking
product on ALL mounting hardware (bolts, nuts,
etc.).

Item	Part #	Description	Quantity
1*	52162-C	Lift Frame	1
1a*	53170-D-GA	Lift Frame, QUIK*LINK ® II- low mount	1
1b*	53171-D-GA	Lift Frame, QUIK*LINK ® II-Hi boy	1
1c	53564-D	Lift Frame, QUIK*LINK ® IV-low mount	1
2*	52166-C	Spreader Bar	1
2a*	52363-C	Spreader Bar QLII	1
2b	53551-C	Spreader Bar QLIV	1
3	53200-01-C	Thrust Arm, Driver Side	1
4*	53200-02-C	Thrust Arm, Curb Side	1
5	53197-01-C	Mounting Bracket, Driver Side	1
6*	53197-02-C	Mounting Bracket, Curb Side	1
7	50069-C-GA	Lift Channel	1
8	52209-B-GA	Light Antler	1
9	52208-B-GA	Light Brace	2
10	HH-00972-149	3/4" x 2½" UNF Cap screw	1
11	HH-00972-153	3/4" x 3½" UNF Cap screw	2
12	HH-00973-007	3/4" UNF Thin Collar Locknut	3
13	52575-A	½" bolt with 6" welded handle	8
14	HH-00972-090	1/2-20x1.1/2 UNF Cap screw	10
15	HH-00460-002	1/2-20 Hex nut	18
16	HH-00457-001	1/2 Lock washer	18
17	HH-00972-130	5/8-18 x 2 UNF Cap screw	8
18	HH-00457-003	5/8 Lock washer	8
19	HH-00460-001	5/8-18 Hex nut	8
20*	HH-00293-006	1/4" x 1" Cap screw	4
21*	HH-00457-006	1/4" Lock washer	4

Item	Part #	Description	Quantity
22*	HH-00341-002	1/4" Flat washer	4
23*	HH-00294-001	1/4" Hex nut	4
24*	WA-34704-M	Mounting Pin, QLI Ass'y	2
25*	52348-M	Mounting Pin Ass'y	2
26	52373-M	Jack Assembly	1
27*	50999-B	Blade guides	2
28	HH-00972-155	3/4" x 4" UNF Cap screw	2
29*	53196-M-WB	53196 Bolt Bag c/w welded bolts	-

QUIK*LINK is a trademark of Arctic Equipment Manufacturing Corporation

Note: * These items are not shown on the drawing.

GENERAL INFORMATION

Customer must be aware of following:

Arctic Equipment Manufacturing Corporation (Arctic) does not assume liability for damage to your motor vehicle resulting from the attachment or use of an Arctic snowplow. The purchaser assumes all vehicle risk associated with the attachment and operation of this snowplow.

The Arctic snowplow you purchase must be used only on vehicles equipped with the manufacturer's snow plow preparation package. Snow plowing without the original plow preparation package may damage your vehicle. The added weight may impair the operation and control of your vehicle. Snow plowing with a vehicle not recommended for that purpose by the manufacturer may void your new vehicle warranty. If your vehicle is not equipped with an original snow plow preparation package, additional equipment may be necessary before snow plowing. Please consult your vehicle and snowplow dealers prior to the purchase and installation of the snowplow. The installation of such parts however is not a full substitute for the original equipment snowplow preparation package.

Before drilling any holes in the firewall or frame, move brake lines, fuel lines and/or electrical wiring from the path of the drill. Brake and fuel lines must also be clear of any fasteners.

All bolts should be installed from the inside of the truck frame so that the lock washers and nuts are accessible for re-tightening.

If a slotted hole in the truck frame is utilized, then a flat washer must be used under the

bolt head. If a flat washer is used under a lock washer use LOCTITE #242. Also use this LOCTITE #242 if existing (vehicle) bolts and nuts are used.

Do not tighten any bolt assemblies until all fasteners and components are installed, unless otherwise specified.

After first use, re-tighten all mounting bolts, thereafter check mounting bolt tightness periodically.

Before proceeding, read instructions carefully and familiarize yourself with the components and hardware.

INSTALLATION INSTRUCTIONS

1. Remove the bumper and remove bottom splash pan (skid plate).
2. Install mounting bracket (5)(6) against the bottom of the vehicle frame and so that the back side of mounting bracket (5)(6) sits against the pipe sleeve (bolt for body mount) (see drawing). Using holes in the mounting bracket (5)(6) as guides drill 17/32" holes in the vehicle frame. Insert two ½" bolts (14) and two ½" bolts with welded handle (13) through the vehicle frame and secure with ½" lock washer (15) and ½" nut (16).
3. Do not tighten any hardware until instructed to do so.
4. Insert the spreader bar (2b) between mounting brackets (5) and (6). The spreader pin hole should be located 14 1/2" (+/- ½") off of the ground. Insert 5/8" x 2 " bolts (17) from inside spreader bar (2a) through mounting bracket holes (5)(6) and secure with 5/8" lock washer (18) and 5/8" nut (19) (only two front holes bolts are to be secured at this time).
5. Install thrust arm(3)(4) to the mounting bracket using 5/8" bolt (17) , 5/8" lock washer (18) and 5/8" nut (19). Ensure that thrust arms are tight against cross member before drilling 17/32" hole, using 9/16"holes in thrust arm as guide. Insert ½" welded bolt (13) from inside the frame, down through the thrust arm (3)(4). Secure using ½" lockwashers (15) and ½" hex nuts (16).
6. Torque all fasteners according to torque chart.
7. Reinstall bumper. Do not reinstall splash pan.
8. Install lift frame (1c). Slide inside of spreader bar (2b).
9. Install light antler (8) and light braces (9) using ½" x 1½" bolts (14), ½" lockwashers (15) and ½" hex nuts (16). Install lights so that the light mounting stud goes through both antler (8) and the brace (9). Tighten all light mounting hardware.

10. Install lift channel (7) and front mount pump (from hydraulic kit) or hydraulic cylinder to lift frame (1c) using 3/4" x 3 1/2" bolts (11) and 3/4" locknuts (12). Use 3/4" x 2 1/2" bolt (10) and 3/4" locknut (12) to attach lift channel (7) to front mount pump or hydraulic cylinder. Do not over tighten this assembly as it must be able to pivot.
11. Use 1/4"x1" bolt (20), 1/4" flat washer (21), 1/4" lock washer (22) and 1/4" hex nut (23) to fasten blade guides (27) to plow.
12. Return any unused items to the customer so that the vehicle can be returned to its original condition if the snowplow is removed.
13. See separate installation instructions for the hydraulic power unit, wiring and controls.

Torque Chart (Ft. Lb)		
Size	Grade 5 Bolt	Grade 8 Bolt
1/4 - 28	8	11
5/16 - 24	15	22
3/8 - 24	28	40
7/16 - 20	44	63
1/2 - 20	69	97
5/8 - 18	138	195
3/4 - 16	241	341
Note: Torque values are for plated bolts only.		