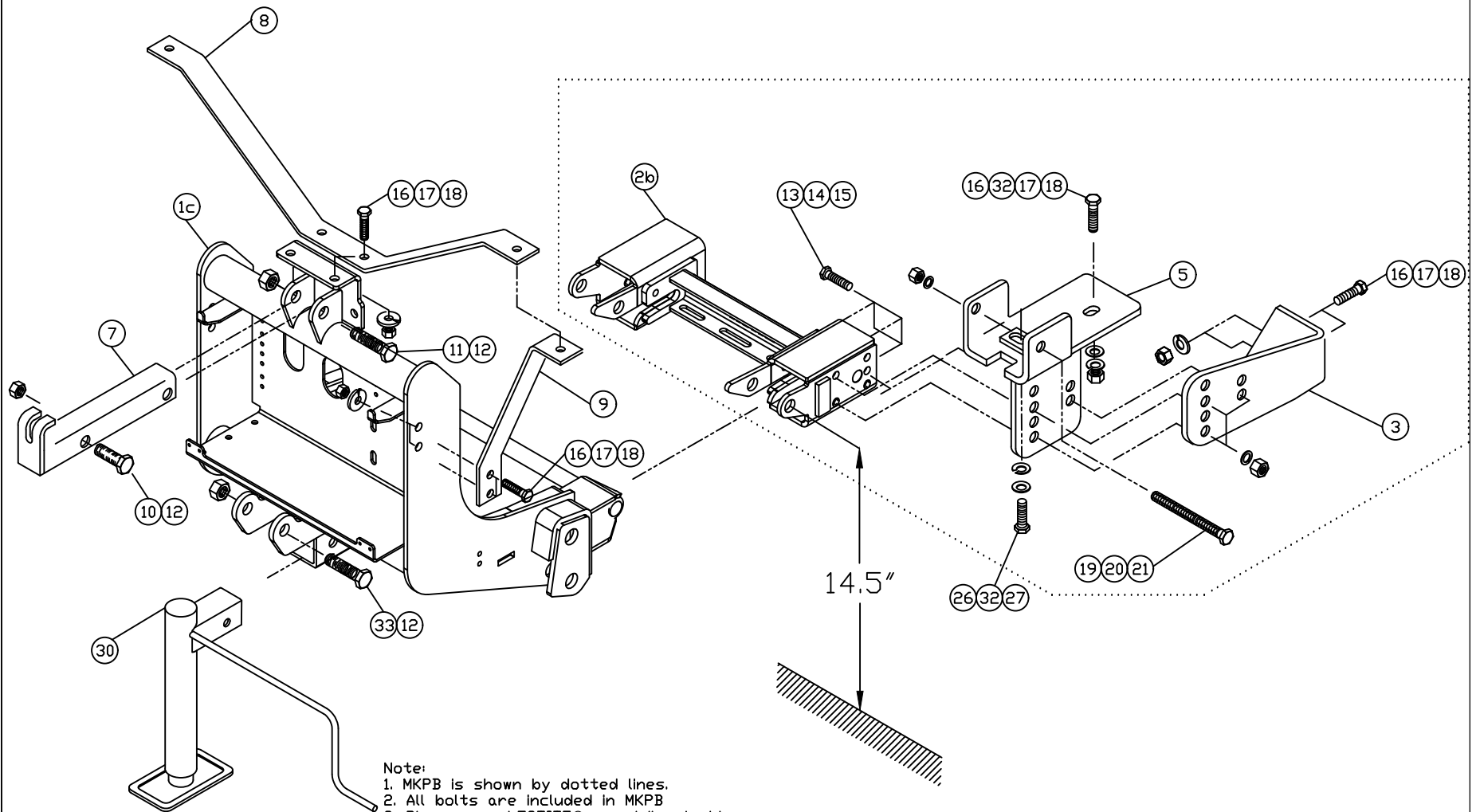


Mounting Kit 52720-MKPB-QLIV

K1500 Sierra/Silverado 4x4 1999-2006

- For the snow plow lights (1999-2006), this kit requires:
800084,800085 or 800086 light kit,
53617-M wiring kit,
Adapter kit 767054 (vehicle's headlamp bulb H9005/H9006).



Note:
1. MKPB is shown by dotted lines.
2. All bolts are included in MKPB
3. Please use LOCTITE®, or similar locking product on ALL mounting hardware (bolts, nuts, etc.).

Item	Part #	Description	Quantity
1*	52162-C	Lift Frame	1
1a*	53170-D-GA	Lift Frame, QUIK*LINK ® II- low mount	1
1b*	53171-D-GA	Lift Frame, QUIK*LINK ® II-Hi boy	1
1c	53564-D	Lift Frame, QUIK*LINK ® IV-low mount	1
2*	52166-C	Spreader Bar	1
2a*	52363-C	Spreader Bar QLII	1
2b	53551-C	Spreader Bar QLIV	1
3	52723-01-C	Thrust Arm, Driver Side	1
4*	52723-02-C	Thrust Arm, Curb Side	1
5	52721-01-B	Mounting Bracket, Driver Side	1
6*	52721-02-B	Mounting Bracket, Curb Side	1
7	50069-C-GA	Lift Channel (1 ½" cylinder)	1
7a*	52612-B-GA	Lift Channel (2" cylinder)	1
8	52209-B-GA	Light Antler	1
9	52208-B-GA	Light Bracer	2
10	HH-00972-149	3/4" x 2½" UNF Cap screw	1
11	HH-00972-153	3/4" x 3½" UNF Cap screw	2
12	HH-00973-007	3/4" UNF Thin Collar Locknut	3
13	HH-00972-131	5/8" x 2.1/4" UNF Cap screw	8
14	HH-00457-003	5/8" Lock washer	8
15	HH-00460-001	5/8" UNF Hex nut	8
16	HH-00972-090	½" x 1½" UNF Cap screw	14
17	HH-00457-001	½" Lock washer	14
18	HH-00460-002	½" Hex nut	14
19	HH-00972-085	7/16" x 6" UNF Cap screw	2

Item	Part #	Description	Quantity
20	HH-00457-011	7/16" Lock washer	2
21	HH-00460-008	7/16" Hex nut	2
22*	HH-00293-006	1/4" x 1" Cap screw	4
23*	HH-00457-006	1/4" Lock washer	4
24*	HH-00341-002	1/4" Flat washer	4
25*	HH-00294-001	1/4" Hex nut	4
26	HH-00909-032	12mm x 45mm Cap screw	2
27	HH-00933-004	12mm Lock washer	2
28*	WA-34704-M	Mounting Pin, QLI Ass'y	2
28a*	52348-M	Mounting Pin Ass'y	2
30	52373-M	Jack Assembly	1
31*	50999-B	Blade guides	2
32	HH-00341-006	1/2" Flat Washer	2
33	HH-00972-155	3/4" x 4" UNF Cap screw	4
34*	52720-M-WB	52720 Bolt bag c/w welded bolts	-

QUIK*LINK is a trademark of Arctic Equipment Manufacturing Corporation

Note: * These items are not shown on the drawing.

GENERAL

- a) The following information is supplied by General Motors Corporation. For more information refer to your vehicle dealer. Arctic Equipment Manufacturing Corporation does not assume liability for damage to your motor vehicle resulting from following procedure.

Trim height inspection procedure

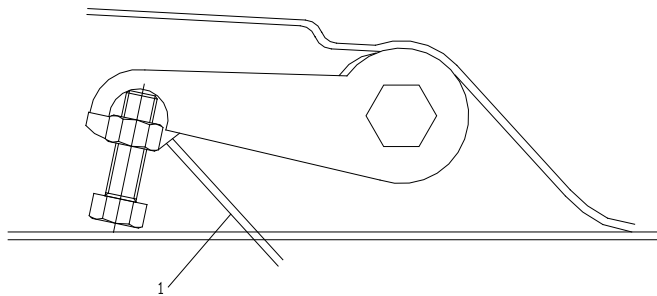
Trim height measurement

Trim height is a predetermined measurement relating to vehicle ride height. Incorrect trim heights can cause bottoming out over bumps, damage to suspension components and symptoms similar to wheel alignment. Check the trim heights when diagnosing

suspension concerns and before checking the wheel alignment problems.

Perform following before measuring the trim heights:

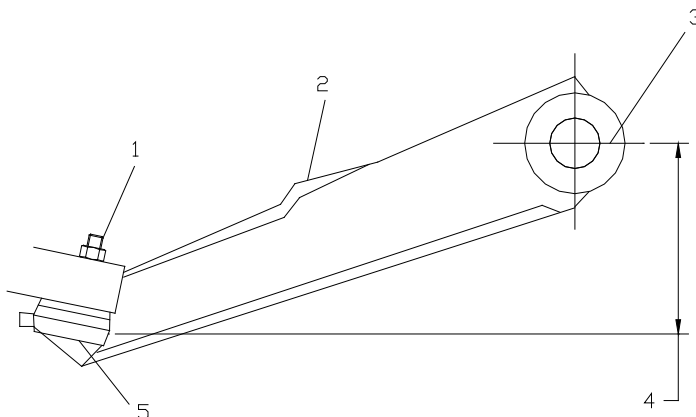
1. Set the tire pressure to the pressure shown on the certification label. Refer to label - vehicle certification in General Information.
2. Check the fuel level. Add additional weight if necessary to simulate a full tank.
3. Make sure the rear compartment is empty except for the spare tire.
4. Make sure the vehicle is on a level surface, such as an alignment rack.
5. Close the doors.
6. Close the hood.
7. All dimensions are measured vertical to ground. Trim heights should be within 13 mm (0.5 in) to be considered correct.



Z height measurement

Important

K models only the Z height must be adjusted before the alignment.



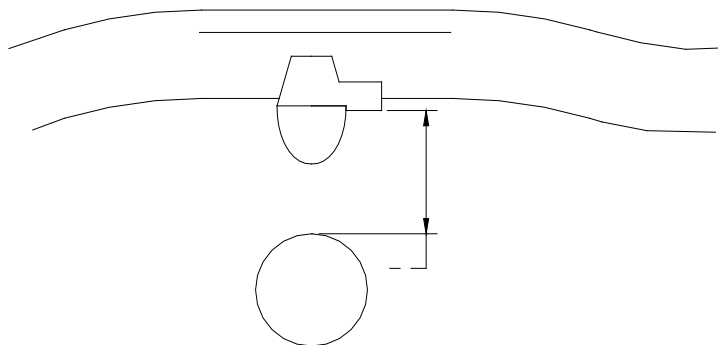
The Z height dimension measurement determines the proper ride height for the front end of vehicle. Vehicle equipped with torsion bars use an adjusting arm in order to adjust the Z height dimension. Vehicles without torsion bars have no adjustments and could require replacement of suspension components.

1. Lift the front bumper of the vehicle up about 38 mm (1.5 in).
2. Gently remove your hands.
3. Allow vehicle to settle into position.
4. Repeat this jouncing operation 2 more times for a total of 3 times.
5. Measure from the pivot bolt centre line (3) down to the lower corner (5) of the lower ball joint (1) in order to obtain the Z height measurement (4).
6. Push the front bumper of the vehicle down about 38 mm (1.5 in).
7. Gently remove your hands
8. Allow vehicle to raise
9. Repeat the operation for a total 3 times,
10. Measure the Z dimension.
11. The true Z height dimension number is the average of the high and the low

measurements. Refer to trim height specifications.

Z height adjustment

1. For vehicle equipped with a torsion bar suspension turn the bolt (1) that contacts the torsion arm clockwise to raise the height adjustment and counter clockwise to lower the height adjustment. One revolution of the bolt (1) into the nut increases the Z height approximately 6 mm (0.2 in).
2. For vehicles without torsion bars, replace damaged or worn components as necessary.



D height measurement

The D height dimension measurement determines the proper rear end ride height. There is no adjustment procedure. Repair may require replacement of suspension components.

1. With the vehicle on flat surface, lift upward on the rear bumper 38 mm (1.5 in)
2. Gently remove your hands. Allow the vehicle to settle into position.
3. Repeat the jouncing operation 2 more times for total of 3 times.
4. Measure the D height by measuring the distance between the bumper bracket and the top of the rear axle tube.
5. Push the rear bumper downward to 38 mm (1.5 in).
6. Gently remove your hands. Allow the vehicle to settle into position.
7. Repeat the jouncing operation 2 more times for total of 3 times.
8. Measure the D height dimension.
9. The true D height dimension number is the average of the high and the low measurement. Refer to trim height specifications.
10. If these measurements are out of specifications, inspect for the following conditions:
 - Sagging front suspensions refer to front coil springs replacement or torsion bar replacement in front suspension.
 - Sagging rear leaf/coil springs refer to leaf spring replacement or coil spring replacement in rear suspension.
 - Worn rear suspension components, such as leaf spring bushings refer to spring bushing replacement in rear suspension.
 - Improper tire inflation refers to tire inflation pressure specifications in maintenance and lubrication.
 - Improper weight distribution.
 - Collision damage.

©Copyright General Motors Corporation. All Rights reserved.

b) Customer must be aware of following:

Arctic Equipment Manufacturing Corporation (Arctic) does not assume liability for damage to your motor vehicle resulting from the attachment or use of an Arctic snowplow. The purchaser assumes all vehicle risk associated with the attachment and operation of this snowplow.

The Arctic snowplow you purchase must be used only on vehicles equipped with the manufacturer's snow plow preparation package. Snow plowing without the original plow preparation package may damage your vehicle. The added weight may impair the operation and control of your vehicle. Snow plowing with a vehicle not recommended for that purpose by the manufacturer may void your new vehicle warranty. If your vehicle is not equipped with an original snow plow preparation package, additional equipment may be necessary before snow plowing. Please consult your vehicle and snowplow dealers prior to the purchase and installation of the snowplow. The installation of such parts however is not a full substitute for the original equipment snowplow preparation package.

Before drilling any holes in the firewall or frame, move brake lines, fuel lines and/or electrical wiring from the path of the drill. Brake and fuel lines must also be clear of any fasteners.

All bolts should be installed from the inside of the truck frame so that the lockwashers and nuts are accessible for retightening.

If a slotted hole in the truck frame is utilized, then a flat washer must be used under the bolt head. If a flat washer is used under a lock washer use LOCTITE #242. Also use this LOCTITE #242 if existing (vehicle) bolts and nuts are used.

Do not tighten any bolt assemblies until all fasteners and components are installed, unless otherwise specified.

After first use, re tighten all mounting bolts, thereafter check mounting bolt tightness periodically.

Before proceeding, read instructions carefully and familiarize yourself with the components and hardware.

INSTALLATION INSTRUCTIONS

1. Do not remove bumper from truck.
2. Do not tighten any hardware until instructed to do so.

3. Remove lower splash pan from bumper for Chevy Silverado Trucks. If the customer wishes to have the splash pan reinstalled it must be trimmed to clear the spreader bar. Do not remove lower splash pan for GM Sierra Trucks. Cut out 22" (outside edges of centre opening) of the bottom of bumper in order to fit lift frame properly for QLI, and for QLII it is recommended to be cut out 39" (outside edges of tow hooks opening).
4. Remove tow hook bolts.
5. Install driver side (5) and curb side (6) mounting brackets using 12mm x 45mm bolts (26), flatwashers (32) and 12mm lockwashers (27) into tow hooks. Apply LOCTITE # 242 on these two bolts. Insert 7/16" x 6" bolts (19) through tow hook and secure with 7/16" lockwashers (20) and 7/16" hex nuts (21). Drill 17/32" hole up through bottom of the frame using 9/16" hole in mounting bracket as a guide. Insert 1/2" x 1 1/2" bolts (16) from inside the frame, down through the mounting brackets (5) and (6). Secure using 1/2" flat washer (32), 1/2" lockwashers (17) and 1/2" hex nuts (18).
NOTE: There is very little clearance between the 7/16" x 6" cross bolt (19) and the lower edge of the bumper. In some cases it may be necessary to insert a flat washer under the head of the bolt or grind the lip of the bumper to allow proper clearance.
6. Insert the spreader bar (2b) between mounting brackets (5) and (6). The spreader pin hole should be located 14 1/2" (+/- 1/2") off of the ground. Insert 5/8" x 2 1/4" bolts (13) from inside spreader bar through mounting bracket holes.
7. Attach thrust arms (3) and (4) to mounting brackets (5) and (6). Attach spreader bar (2b) by sliding over 5/8" x 2 1/4" bolts (13), then secure using 5/8" lockwashers (14) and 5/8" hex nuts (15).
8. Install thrust arms (3) and (4) to vehicle cross member using 1/2" x 1 1/2" (16), 1/2" lockwashers (17), and 1/2" hex nuts (18). Ensure that thrust arms are tight against cross member before drilling 17/32" holes using 9/16" holes in thrust arm as guide.
9. Torque all fasteners according to torque chart.
10. Install lift frame (1c). Slide inside of spreader bar (2b).
11. Install light antler (8) and light braces (9) using 1/2" x 1 1/2" bolts (16), 1/2" lockwashers (17) and 1/2" hex nuts (18). Install lights so that the light mounting stud goes through both antler (8) and the brace (9). Tighten all light mounting hardware.
12. Install lift channel (7) and front mount pump (from hydraulic kit) or hydraulic cylinder to lift frame (1a)(1b) using 3/4" x 3 1/2" bolts (11) and 3/4" locknuts (12). Use 3/4" x 2 1/2" bolts (10) and 3/4" locknuts (12) to attach lift channel (7) to front mount pump or hydraulic cylinder. Do not over tighten this assembly as it must be able to pivot.

13. Use 1/4"x1" bolt (22), 1/4" flat washer (23), 1/4" lockwasher (24) and 1/4" hex nut (25) to fasten blade guides to plow.
14. Return any unused items to the customer so that the vehicle can be returned to its original condition if the snowplow is removed. If the customer wishes to have the splash pan reinstalled it must be trimmed to clear the spreader bar.
15. See separate installation instructions for the hydraulic power unit, wiring and controls.

Torque Chart (Ft. Lb)		
Size	Grade 5 Bolt	Grade 8 Bolt
1/4 - 28	8	11
5/16 - 24	15	22
3/8 - 24	28	40
7/16 - 20	44	63
1/2 - 20	69	97
5/8 - 18	138	195
3/4 - 16	241	341

Note: Torque values are for plated bolts only.

GM Sierra

