

MOUNTING KIT 52713-MKPB-QLIV

K1500HD Sierra/Silverado 4x4 2001 - 2006

Suburban 2500 4x4 2000 - 2006

K2500 Sierra/Silverado 4x4 1999-2006 Classic*

K3500 Sierra/Silverado DRW 4x4 2001-2006 Classic*

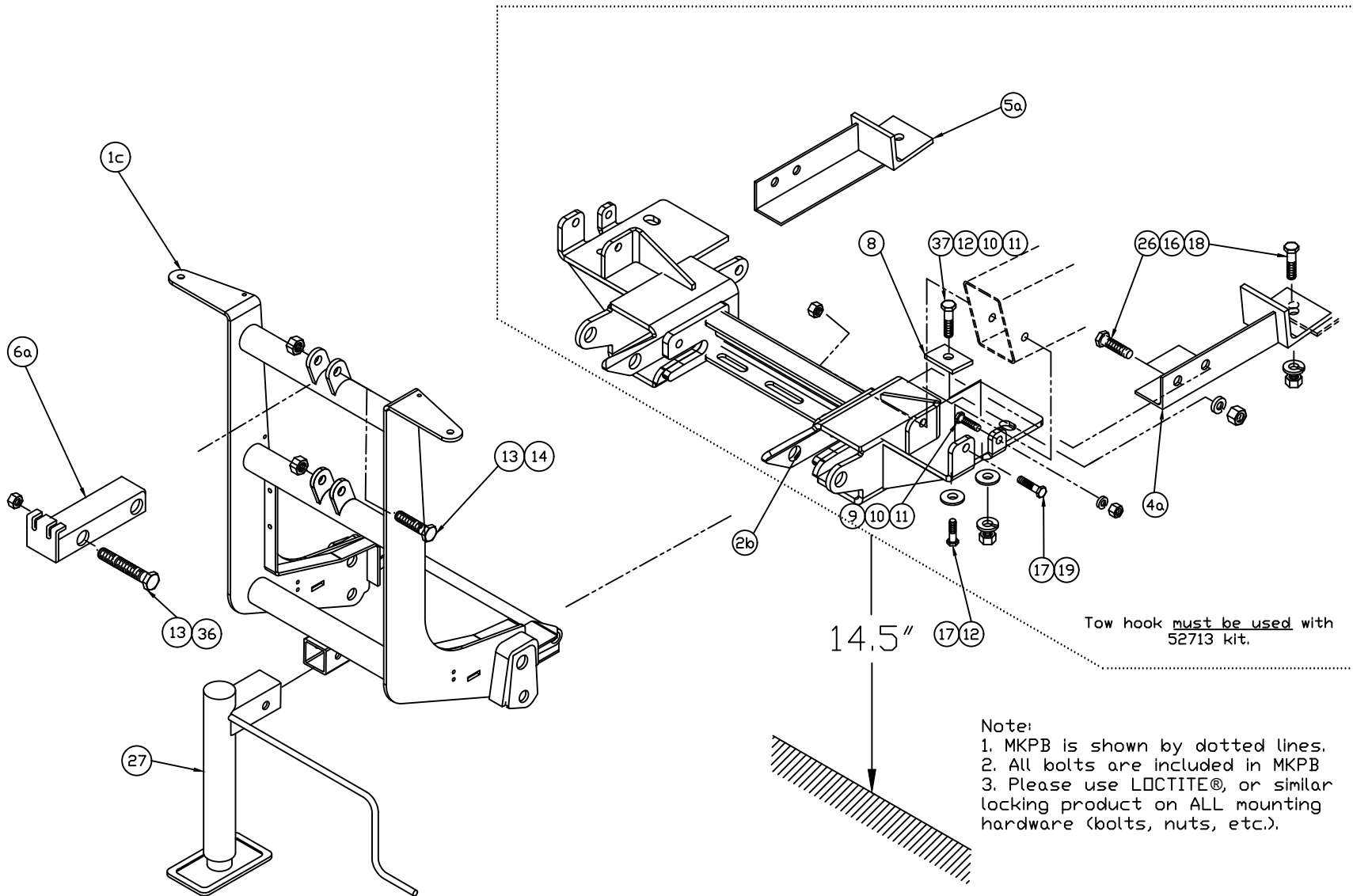
K3500 Sierra/Silverado SRW 4x4 2004-2006 Classic*

- For the snowplow lights this kit requires:

800084, 800085 or 800086 light kit,

53617-M wiring kit and 767054 Adapter (2001-2006), 800042 Adapter (2007-2010)

* Instruction for **K2500/K3500 2007-2010 New Style** is on page 9.



Item	Part #	Description	Quantity
1*	52162-C	Lift Frame	1
1a*	53170-D-GA	Lift Frame, QUIK*LINK ® II, low mount	1
1b*	53171-D-GA	Lift Frame, QUIK*LINK ® II-Hi boy	1
1c	53517-D	Lift Frame, QUIK*LINK ® IV-Hi boy	1
2*	52714-D	Mounting Bracket QLI	1
2a*	52717-D	Mounting Bracket QLII	1
2b	53554-C	Mounting Bracket QLIV	1
3*	52208-B-GA	Light Bracer	2
4*	52715-01-B	Thrust Arm, 16.5", Driver Side QLI	1
4a	52718-01-B	Thrust Arm, 12.75", Driver Side QLII	1
5*	52715-02-B	Thrust Arm, 16.5" Curb Side QLI	1
5a	52718-02-B	Thrust Arm, 12.75", Curb Side QLII	1
6*	50069-C-GA	Lift Channel (1 ½" cylinder)	1
6a	52612-B-GA	Lift Channel (2" cylinder)	1
7*	52209-B-GA	Light Antler	1
8	52569-A	Frame Insert Plate	2
9	HH-00972-090	½"x1 ½" Bolt	10
10	HH-00457-001	½" Lock washer	12
11	HH-00460-002	½" Hex Nut	12
12	52565-N	Flat washer	4
13	HH-00973-007	¾" Thin Collar Locknut	3
14	HH-00972-153	¾"x3 ½" Bolt	2
15*	HH-00972-149	¾"x2 ½" Bolt	1

Item	Part #	Description	Quantity
16	HH-00457-003	5/8" Lock washer	6
17	HH-00909-032	12mm x 45mm Bolt Gr10.9	6
18	HH-00460-001	5/8" Hex Nut	6
19	HH-00933-004	12mm Lock washer	4
20*	WA-34704-M	Mounting Pin, QLI, Ass'y	2
20a*	52348-M	Mounting Pin, Ass'y	2
22*	HH-00293-006	1/4"x1" Bolt	4
23*	HH-00457-006	1/4" Lock washer	4
24*	HH-00341-002	1/4" Flat washer	4
25*	HH-00294-001	1/4" Hex Nut	4
26	HH-00972-129	5/8"x1 3/4" Bolt	6
27	52373-M	Jack Assembly	1
28*	50999-B	Blade guides	2
36	HH-00972-155	3/4" x 4" UNF Cap screw	2
37	HH-00972-091	1/2"x1 3/4" Bolt	2
38*	52713-M-WB	52713 Bolt bag c/w welded bolts	-

QUIK*LINK is a trademark of Arctic Equipment Manufacturing Corporation

Note: * These items are not shown on the drawing.

GENERAL

Customer must be aware of following:

Arctic Equipment Manufacturing Corporation (Arctic) does not assume liability for damage to your motor vehicle resulting from the attachment or use of an Arctic snowplow. The purchaser assumes all vehicle risk associated with the attachment and operation of this snowplow.

The Arctic snowplow you purchase must be used only on vehicles equipped with the manufacturer's snow plow preparation package. Snow plowing without the original plow preparation package may damage your vehicle. The added weight may impair the operation and control of your vehicle. Snow plowing with a vehicle not recommended for that purpose by the manufacturer may void your new vehicle warranty. If your vehicle is not equipped with an original snow plow preparation package, additional equipment may be necessary before snow plowing. Please consult your vehicle and snowplow dealers prior to the purchase and installation of the snowplow. The installation of such parts

however is not a full substitute for the original equipment snowplow preparation package.

Before drilling any holes in the firewall or frame, move brake lines, fuel lines and/or electrical wiring from the path of the drill. Brake and fuel lines must also be clear of any fasteners.

All bolts should be installed from the inside of the truck frame so that the lock washers and nuts are accessible for re-tightening.

If a slotted hole in the truck frame is utilized, then a flat washer must be used under the bolt head. If a flat washer is used under a lock washer use LOCTITE #242. Also use this LOCTITE #242 if existing (vehicle) bolts and nuts are used.

General order of installation:

- install all components (mounting bracket, thrust arm and spreader bar) and all fasteners finger tight (snug) through existing holes,
- drill necessary holes and
- tighten all hardware.

After first use, re-tighten all mounting bolts, thereafter check mounting bolt tightness periodically.

Before proceeding, read instructions carefully and familiarize yourself with the components and hardware.

Trim height inspection procedure

Trim height measurement

Trim height is a predetermined measurement relating to vehicle ride height. Incorrect trim heights can cause bottoming out over bumps, damage to suspension components and symptoms similar to wheel alignment. Check the trim heights when diagnosing suspension concerns and before checking the wheel alignment problems.

Perform following before measuring the trim heights:

1. Set the tire pressure to the pressure shown on the certification label. Refer to label - vehicle certification in General Information.
2. Check the fuel level. Add additional weight if necessary to simulate a full tank.
3. Make sure the rear compartment is empty except for the spare tire.
4. Make sure the vehicle is on a level surface, such as an alignment rack.
5. Close the doors.
6. Close the hood.

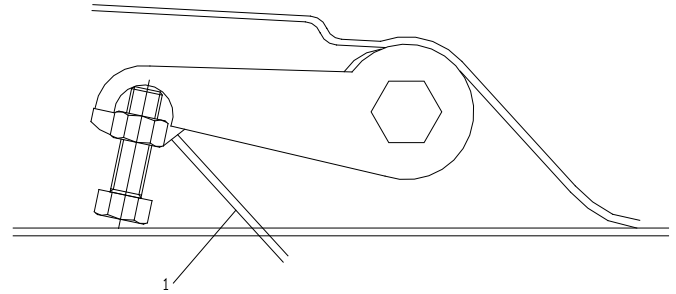
7. All dimensions are measured vertical to ground. Trim heights should be within 13 mm (0.5 in) to be considered correct.

Z height measurement

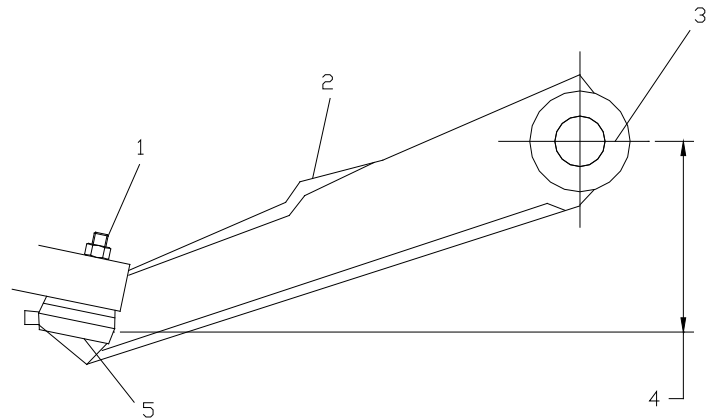
Important

K models only the Z height must be adjusted before the alignment.

The Z height dimension measurement determines the proper ride height for the front end of vehicle. Vehicle equipped with torsion bars use a adjusting arm in order to adjust the Z height dimension. Vehicles without torsion bars have no adjustments and could require replacement of suspension components.



1. Lift the front bumper of the vehicle up about 38 mm (1.5 in).
2. Gently remove your hands.
3. Allow vehicle to settle into position.
4. Repeat this jouncing operation 2 more times for a total of 3 times.
5. Measure from the pivot bolt centre line (3) down to the lower corner (5) of the lower ball joint (1) in order to obtain the Z height measurement (4).
6. Push the front bumper of the vehicle down about 38 mm (1.5 in).
7. Gently remove your hands
8. Allow vehicle to raise
9. Repeat the operation for a total 3 times,
10. Measure the Z dimension.
11. The true Z height dimension number is the average of the high and the low measurements. Refer to trim height specifications.



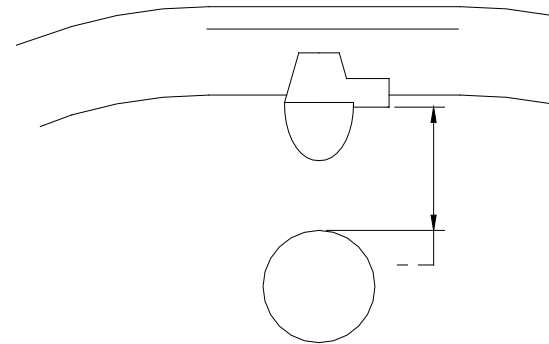
Z height adjustment

1. For vehicle equipped with a torsion bar suspension turn the bolt (1) that contacts the torsion arm clockwise to raise the height adjustment and counter clockwise to lower the height adjustment. One revolution of the bolt (1) into the nut increases the Z height approximately 6 mm (0.2 in).
2. For vehicles without torsion bars, replace damaged or worn components as necessary.

D height measurement

The D height dimension measurement determines the proper rear end ride height. There is no adjustment procedure. Repair may require replacement of suspension components.

1. With the vehicle on flat surface, lift upward on the rear bumper 38 mm (1.5 in)
2. Gently remove your hands. Allow the vehicle to settle into position.
3. Repeat the jouncing operation 2 more times for total of 3 times.
4. Measure the D height by measuring the distance between the bumper bracket and the top of the rear axle tube.
5. Push the rear bumper downward to 38 mm (1.5 in).
6. Gently remove your hands. Allow the vehicle to settle into position.
7. Repeat the jouncing operation 2 more times for total of 3 times.
8. Measure the D height dimension.
9. The true D height dimension number is the average of the high and the low measurement. Refer to trim height specifications.
10. If these measurements are out of specifications, inspect for the following conditions:
 - Sagging front suspensions refer to front coil springs replacement or torsion bar replacement in front suspension.
 - Sagging rear leaf/coil springs refer to leaf spring replacement or coil spring replacement in rear suspension.
 - Worn rear suspension components, such as leaf spring bushings refer to spring bushing replacement in rear suspension.
 - Improper tire inflation refer to tire inflation pressure specifications in maintenance and lubrication.
 - Improper weight distribution.
 - Collision damage.



©Copyright General Motors Corporation. All Rights reserved.

INSTALLATION INSTRUCTIONS

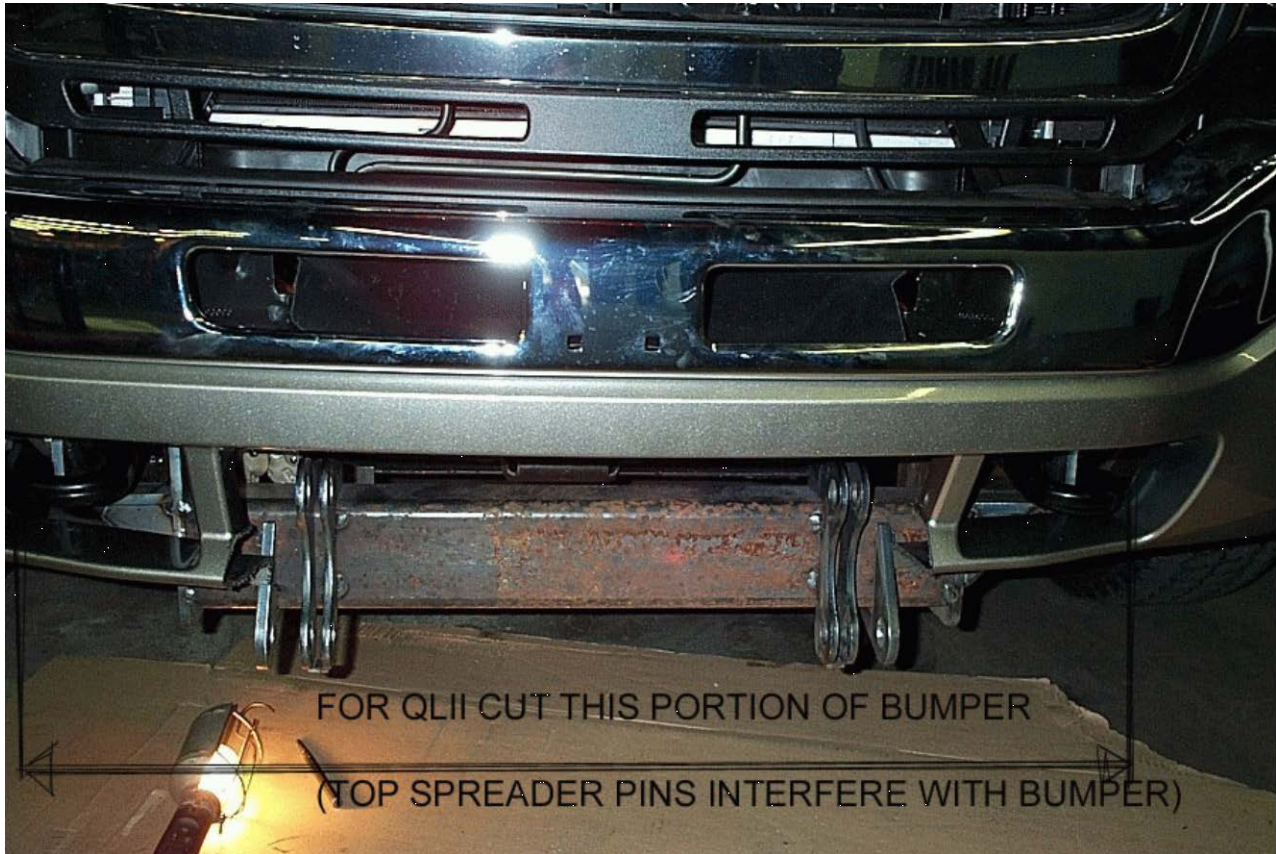
1. Do not remove bumper from truck.
2. Do not tighten any hardware until instructed to do so.
3. Remove lower splash pan from bumper for Chevy Silverado Trucks. If the customer wishes to have the splash pan reinstalled it must be trimmed to clear the spreader bar.

4. Do not remove lower splash pan for GM Sierra Trucks. Cut out 22" (outside edges of centre opening) of the bottom of bumper in order to fit lift frame properly for QLI, and for QLII it is recommended to be cut out 39" (outside edges of tow hooks opening).
5. Remove tow hook bolts.
6. Install mounting bracket (2b) (using 12 mm x 45mm bolts (17) and 12 mm lock washers (19) into tow hooks on the side of the vehicle frame, and using 12 mm bolt (17) and flat washer (12) on the bottom of the truck frame. Apply Thread locker Loctite #242 - removable grade on the 12 mm bolt installed on the bottom of mounting bracket. (If tow hooks are missing use 12 mm nuts to secure bolts). Finger tightens all fasteners so that the mounting bracket (2b) is snug, up against the truck frame.
7. Using side hole in the mounting bracket as guide drill 17/32" hole in the frame and install ½" bolt (9), ½" lock washer (10) and ½" nut (11). Drill 17/32" hole into vehicle frame (on each side of frame) through hole on the bottom (first front hole) of the mounting bracket. Install frame insert plate (8) inside the frame and secure frame insert plate and mounting bracket using ½" bolt (37)
8. Install thrust arm driver side (4)(4a) and thrust arm curb side (5)(5a) to bottom of vehicle cross member using 5/8" x 1 3/4" bolts (26), 5/8" lock washers (16), and 5/8" hex nuts (18) in outboard holes of cross member. Attach thrust arm to mounting brackets (2)(2a) using 5/8" bolts (26), 5/8" lock washer (16), and 5/8" hex nuts (18).
9. Tighten all hardware.
10. Install lift frame (1c). Slide inside of the mounting bracket (2b).
11. Install lift channel (6a) and front mounting pump (from hydraulic kit) to lift frame (1c) using 3/4" x 3 ½" bolts (14), and 3/4" locknuts (13). Use 3/4" x 4" bolt (36) and 3/4" locknut (13) to attach lift channel (6a) to front mount pump (or lift cylinder). *Do not over tighten as this assembly must be able to pivot.*
12. Use 1/4"x1" bolt (22), 1/4" flat washer (24), 1/4" lock washer (23) and 1/4" hex nut (25) to fasten blade guides to plow.
13. Return any unused items to the customer so that the vehicle can be returned to its original condition if the snowplow is removed.
14. See separate installation instructions for the hydraulic pump and headlight kit.

Torque Chart (Ft. Lb)		
Size	Grade 5 Bolt	Grade 8 Bolt
1/4 - 28	8	11
5/16 - 24	15	22
3/8 - 24	28	40
7/16- 20	44	63
1/2- 20	69	97
5/8- 18	138	195
3/4-16	241	341

Note: Torque values are for plated bolts only.

GM Sierra



MOUNTING KIT 52713-MKPB

K2500 Sierra/Silverado 4x4 2007 New Style - 2010
K3500 Sierra/Silverado DRW 4x4 2007 New Style - 2010
K3500 Sierra/Silverado SRW 4x4 2007 New Style - 2010

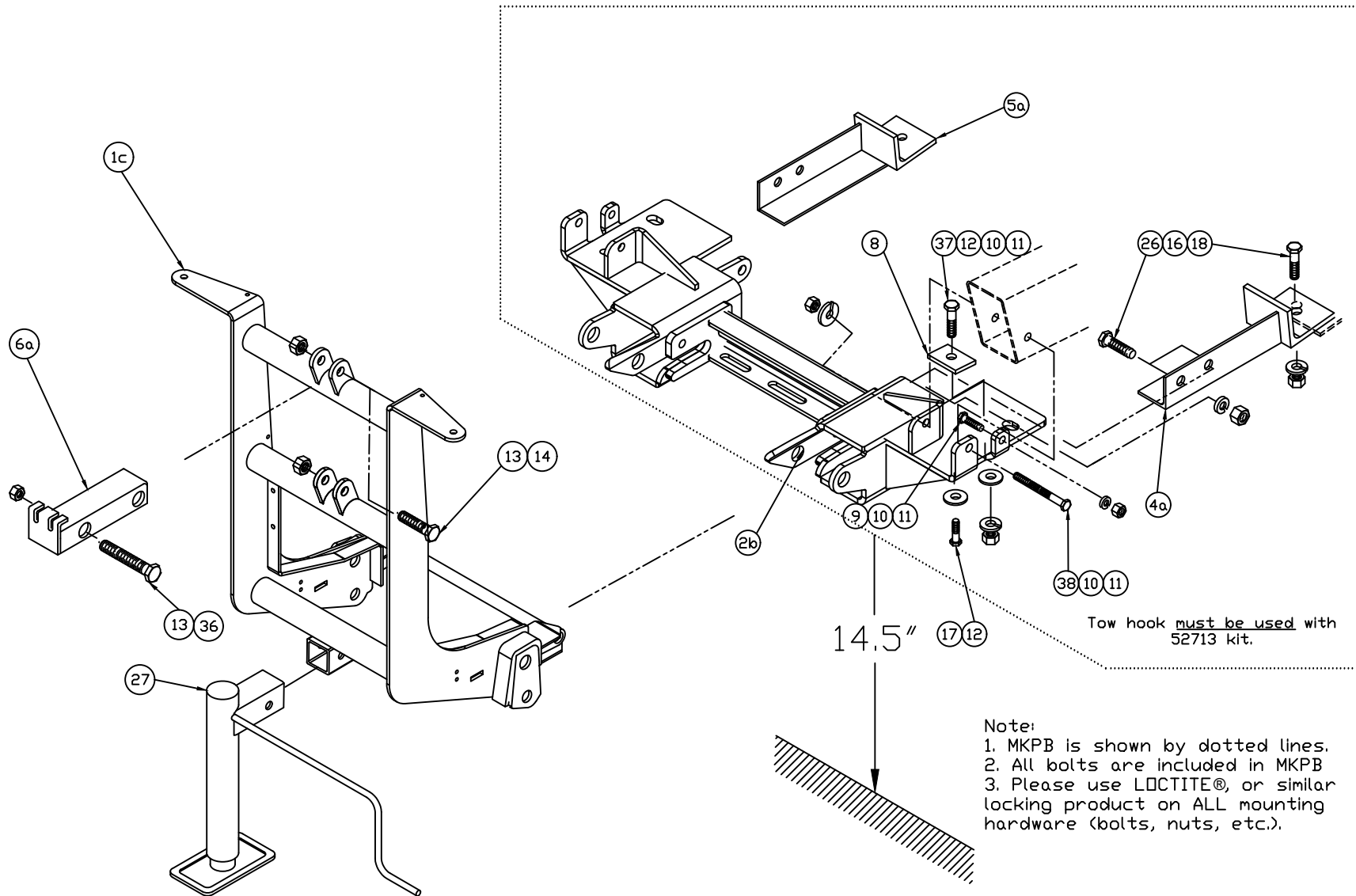
- For the snowplow lights (2007-2010), this kit requires:

800084, 800085 or 800086 light kit

53617 wiring kit,

800034 Adapter kit (vehicle's bulb H13) - GMC Yukon/Denali,

800042 Adapter kit (vehicle's bulb H9005 (HB3) and H11) - Chev Silverado, Tahoe, Avalanche, Suburban, GMC Sierra).



Note:
 1. MKPB is shown by dotted lines.
 2. All bolts are included in MKPB
 3. Please use LOCTITE®, or similar locking product on ALL mounting hardware (bolts, nuts, etc.).

Item	Part #	Description	Quantity
1*	52162-C	Lift Frame	1
1a*	53170-D-GA	Lift Frame, QUIK*LINK ® II	1
1b*	53171-D-GA	Lift Frame, QUIK*LINK ® II-Hi boy	1
1c	53517-D	Lift Frame, QUIK*LINK ® IV-Hi boy	1
2*	52714-D	Mounting Bracket QLI	1
2a*	52717-D	Mounting Bracket QLII	1
2b	53554-D	Mounting Bracket QLIV	1
3*	52208-B-GA	Light Brace	2
4*	52715-01-B	Thrust Arm, 16.5", Driver Side QLI	1
4a*	52718-01-B	Thrust Arm, 12.75", Driver Side QLII	1
5*	52715-02-B	Thrust Arm, 16.5" Curb Side QLI	1
5a*	52718-02-B	Thrust Arm, 12.75", Curb Side QLII	1
6	50069-C-GA	Lift Channel (1 ½" cylinder)	1
6a*	52612-B-GA	Lift Channel (2" cylinder)	1
7*	52209-B-GA	Light Antler	1
8	52569-A	Frame Insert Plate	2
9	HH-00972-090	½"x1 ½" Bolt	10
10	HH-00457-001	½" Lock washer	12
11	HH-00460-002	½" Hex Nut	12
12	52565-N	Flat washer	4
13	HH-00973-007	¾" Thin Collar Locknut	3
14	HH-00972-153	¾"x3 ½" Bolt	2
15*	HH-00972-149	¾"x2 ½" Bolt	1
16	HH-00457-003	5/8" Lock washer	6

Item	Part #	Description	Quantity
17	HH-00909-032	12mm x 45mm Bolt Gr10.9	6
18	HH-00460-001	5/8" Hex Nut	6
19	HH-00933-004	12mm Lock washer	4
20*	WA-34704-M	Mounting Pin, QLI, Ass'y	2
20a*	52348-M	Mounting Pin, Ass'y	2
22*	HH-00293-006	1/4"x1" Bolt	4
23*	HH-00457-006	1/4" Lock washer	4
24*	HH-00341-002	1/4" Flat washer	4
25*	HH-00294-001	1/4" Hex Nut	4
26	HH-00972-129	5/8"x1 3/4" Bolt	6
27	52373-M	Jack Assembly	1
28*	50999-B	Blade guides	2
36	HH-00972-155	3/4" x 4" UNF Cap screw	2
37	HH-00972-091	1/2"x1 3/4" Bolt	2
38	53271-N	1/2"x 5 1/2" Bolt grade 8	2

QUIK*LINK is a trademark of Arctic Equipment Manufacturing Corporation

Note: * These items are not shown on the drawing.

GENERAL

Customer must be aware of following:

Arctic Equipment Manufacturing Corporation (Arctic) does not assume liability for damage to your motor vehicle resulting from the attachment or use of an Arctic snowplow. The purchaser assumes all vehicle risk associated with the attachment and operation of this snowplow.

The Arctic snowplow you purchase must be used only on vehicles equipped with the manufacturer's snow plow preparation package. Snow plowing without the original plow preparation package may damage your vehicle. The added weight may impair the operation and control of your vehicle. Snow plowing with a vehicle not recommended for that purpose by the manufacturer may void your new vehicle warranty. If your vehicle is not equipped with an original snow plow preparation package, additional equipment may be necessary before snow plowing. Please consult your vehicle and snowplow dealers

prior to the purchase and installation of the snowplow. The installation of such parts however is not a full substitute for the original equipment snowplow preparation package.

Before drilling any holes in the firewall or frame, move brake lines, fuel lines and/or electrical wiring from the path of the drill.

INSTALLATION INSTRUCTIONS

1. Do not remove bumper from truck.
2. Do not tighten any hardware until instructed to do so.
3. Remove lower splash pan from bumper for Chevy Silverado Trucks. If the customer wishes to have the splash pan reinstalled it must be trimmed to clear the spreader bar.
4. Do not remove lower splash pan for GM Sierra Trucks. Cut out 22" (outside edges of centre opening) of the bottom of bumper in order to fit lift frame properly for QLI, and for QLII it is recommended to be cut out 39" (outside edges of tow hooks opening).
5. Remove tow hook and tow hook bolts.
6. Install frame insert plate (8) inside the frame and bolt ½" x 1 ¾" (37) in the back hole. Install mounting bracket (2)(2a). Using side hole in the mounting bracket as guide drill 17/32" hole in the frame and install ½" bolt (9), ½" lock washer (10) and ½" nut (11). Secure mounting bracket (2)(2a) using ½" x 1 ¾" bolt already inserted, ½" flat washer (12), ½" lock washer (10), and ½" hex nut (11).
7. Return tow hook in its place. Secure mounting bracket (2b) using ½" x 5 ½" bolt (38) (goes through tow hook sleeve), ½" lock washer (10) and ½" hex nut (11). Install 12 mm bolt (17) and flat washer (12) in the bottom of the truck frame into tow hook. Apply Thread locker Loctite #242 - removable grade on the 12 mm bolt installed on the bottom of mounting bracket. Finger tightens all fasteners so that the mounting bracket (2b) is snug, up against the truck frame.
8. Install thrust arm driver side (4) and thrust arm curb side (5) to bottom of vehicle cross member using 5/8" x 1 ¾" bolts (26), 5/8" lock washers (16), and 5/8" hex nuts (18) in outboard holes of cross member. Attach thrust arm to mounting brackets (2)(2a) using 5/8" bolts (26), 5/8" lock washer (16), and 5/8" hex nuts (18).
9. Tighten all hardware.
10. Install lift frame (1c). Slide lift frame (1c) inside of the mounting bracket (2b).

11. Install lift channel (6a) and front mounting pump (from hydraulic kit) to lift frame (1c) using 3/4" x 3 1/2" bolts (14), and 3/4" locknuts (13). Use 3/4" x 4" bolt (36) and 3/4" locknut (13) to attach lift channel (6a) to front mount pump (or lift cylinder). *Do not over tighten as this assembly must be able to pivot.*
12. Use 1/4"x1" bolt (22), 1/4" flat washer (24), 1/4" lock washer (23) and 1/4" hex nut (25) to fasten plow guides to blade.
13. Return any unused items to the customer so that the vehicle can be returned to its original condition if the snowplow is removed.
14. See separate installation instructions for the hydraulic pump and headlight kit.

Torque Chart (Ft. Lb)		
Size	Grade 5 Bolt	Grade 8 Bolt
1/4 - 28	8	11
5/16 - 24	15	22
3/8 - 24	28	40
7/16- 20	44	63
1/2- 20	69	97
5/8- 18	138	195
3/4-16	241	341
Note: Torque values are for plated bolts only.		

GM Sierra

