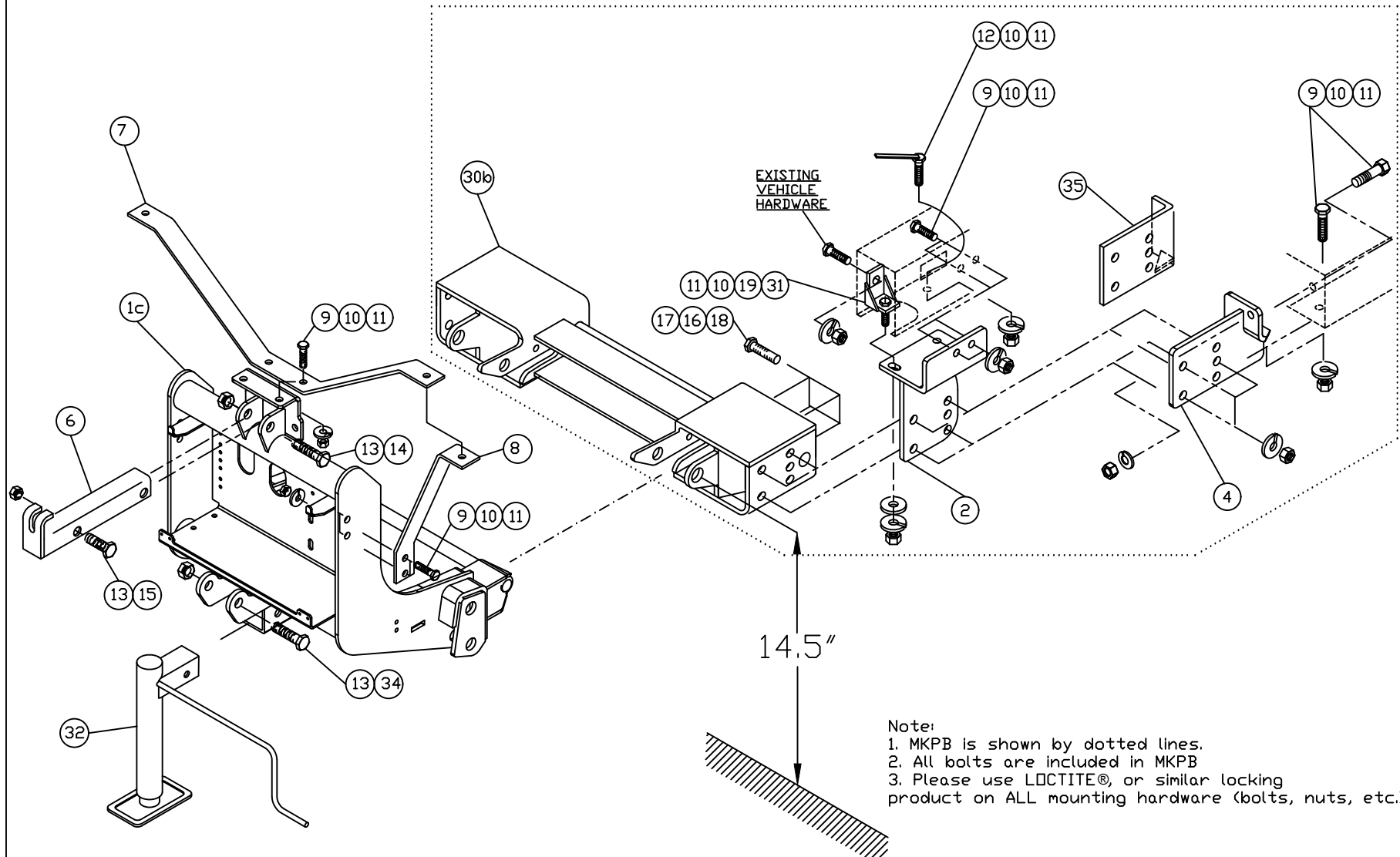


## Mounting kit 52368-MKPB-QLIV

Dakota 4x4 (Except Sport) 1997-2004

Durango 4x4 (Except Sport) 1997-2003

- For the snow plow lights (1997-2004), this kit requires:  
800084, 800085 or 800086 light kit,  
53617-M wiring kit,  
767052 Adapter Kit (vehicle's headlamp bulb H9007)



Note:  
 1. MKPB is shown by dotted lines.  
 2. All bolts are included in MKPB  
 3. Please use LOCTITE®, or similar locking product on ALL mounting hardware (bolts, nuts, etc.).

Item	Part #	Description	Quantity
1a*	53170-D-GA	Lift Frame, QUIK*LINK ® II- low mount	1
1b*	53171-D-GA	Lift Frame, QUIK*LINK ® II-Hi boy	1
1c	53564-D	Lift frame, QUIK*LINK® IV- low mount	1
1d*	53517-D	Lift frame, QUIK*LINK® IV- Hi boy	1
2	52497-01-B	Mounting Bracket Driver Side	1
3*	52497-02-B	Mounting Bracket Curb Side	1
4	52500-01-B	Thrust Arm Driver Side	1
5*	52500-02-B	Thrust Arm Curb Side	1
6	50069-C-GA	Lift Channel (1 ½" cylinder)	1
6a*	52612-B-GA	Lift Channel (2" cylinder)	1
7	52209-B-GA	Light Antler	1
8	52208-B-GA	Light Bracer	2
9	HH-00972-090	½"x1.1/2" Bolt	16
10	HH-00457-001	½" Lock washer	20
11	HH-00460-002	½" Hex Nut	20
12	52575-A	½"x1.1/2" Bolt with welded handle	2
13	HH-00973-007	¾" Thin collar Lock nut	3
14	HH-00972-153	¾"x3.1/2" Bolt	2
15	HH-00972-149	¾"x2.1/2" Bolt	1
16	HH-00457-003	5/8" Lock washer	8
17	HH-00972-131	5/8" x 2 1/4" Bolt	8
18	HH-00460-001	5/8" Hex Nut	8
19	HH-00341-006	½" Flat washer	4
20*	WA-34704-M	Mounting Pin, QLI, Ass'y	2
20a*	52348-M	Mounting Pin Ass'y	2

Item	Part #	Description	Quantity
22*	HH-00293-006	1/4"x1" Bolt	4
23*	HH-00457-006	1/4" Lock washer	4
24*	HH-00341-002	1/4" Flat washer	4
25*	HH-00294-001	1/4" Hex Nut	4
30*	52310-D	Spreader Bar	1
30a*	52364-C	Spreader Bar QLII	1
30b	53507-C	Spreader Bar QLIV	1
31	52496-06-A	Mounting Angle	2
32	52373-M	Jack Assembly	1
33*	50999-B	Blade guides	2
34	HH-00972-155	3/4" x 4" UNF Cap screw	2
35	52590-01-B	Thrust Arm Driver Side, (used with Durango)	1
36*	52590-02-B	Thrust Arm Curb Side (used with Durango)	1
37*	52317-A	Side Plate	2
38*	52368-M-WB	52368 Bolt bag c/w welded bolts	

QUIK\*LINK is a trademark of Arctic Equipment Manufacturing Corporation

**Note:** \* These items are not shown on the drawing.

### GENERAL

**Customer must be aware of following:**

Arctic Equipment Manufacturing Corporation (Arctic) does not assume liability for damage to your motor vehicle resulting from the attachment or use of an Arctic snowplow. The purchaser assumes all vehicle risk associated with the attachment and operation of this snowplow.

The Arctic snowplow you purchase must be used only on vehicles equipped with the manufacturer's snow plow preparation package. Snow plowing without the original plow preparation package may damage your vehicle. The added weight may impair the operation and control of your vehicle. Snow plowing with a vehicle not recommended for that purpose by the manufacturer may void your new vehicle warranty. If your vehicle is not equipped with an original snow plow preparation package, additional equipment may be necessary before snow plowing. Please consult your vehicle and snowplow dealers

prior to the purchase and installation of the snowplow. The installation of such parts however is not a full substitute for the original equipment snowplow preparation package.

Before drilling any holes in the firewall or frame, move brake lines, fuel lines, and/or electrical wiring from the path of the drill. Brake and fuel lines must also be clear of any fasteners.

All bolts should be installed from the inside of the truck frame so that the lockwashers and nuts are accessible for retightening.

If a slotted hole in the truck frame is utilized, then a flat washer must be used under the bolt head. If a flat washer is used under a lockwasher, use LOCTITE #242. Also use this LOCTITE #242 if existing (vehicle) bolts and nuts are used.

General order of installation:

- install all components (mounting bracket, thrust arm and spreader bar) and all fasteners finger tight (snug) through existing holes,
- drill necessary holes and
- tighten all hardware.

**After first use, retighten all mounting bolts**, thereafter check mounting bolt tightness periodically.

Before proceeding, read instructions carefully and familiarize yourself with the components and hardware.

## INSTALLATION INSTRUCTIONS

1. Remove bumper and splash guard.
2. Install mounting angle (31) inside of frame using existing vehicle bolt. Apply Loctite 242. That bolt and nut must be tightened.
3. Attach mounting bracket (2)(3) to the frame using bolt from mounting angle (31) and flat washer (19), lock washer (10) and nut (11). Apply Loctite 242. Install two ½" x 1 ½" bolts (9) from inside of frame, lock washer (10) and nut (11).
4. Drill 17/32" hole on the bottom of frame using hole in mounting bracket as guide. Install ½" welded bolt (12) (handle may be bent in order to fit inside), lock washer (10) and nut (11).
5. Fasten spreader bar (30a) and thrust arms (4) & (5) or (35) & (36) to mounting bracket using 5/8"x2 1/4" bolt (17), lock washer (16) and hex nut (18). The spreader pin hole should be located 14 1/2" (+/- ½") off the ground.

6. Drill two holes 17/32" in the frame using two holes in the thrust arm as guide (thrust arm needs to be tight against frame when drilling holes). Install 1/2" bolt (9), lock washer (10) and nut (11).
7. Tighten all hardware. Torque all fasteners according to torque chart. (See bottom of the page)
8. Install lift frame (1c). Slide inside of spreader bar (30b).
9. Fasten the light antler (7) to the top of the lift frame, using 1/2" x 1 1/2" bolt (9), lock washer (10) and nut (11). **DO NOT TIGHTEN**. Fasten the light brace (8) to both sides of the lift frame, using 1/2" x 1 1/2" bolt (9), lock washer (10) and nut (11). **DO NOT TIGHTEN**. Install plow lamps so that the stud is through the light antler (7) and light brace (8).
10. Tighten all light mounting hardware.
11. If vehicle hood interferes with lights, extension for lights is provided (use side plate (37) and 1/2" bolt (9), 1/2" flat washer (19), 1/2" lock washer (10) and 1/2" nut (11))
12. Fasten lift channel (6) and lift cylinder (or power unit) to the lift frame (1) using 3/4"x3.1/2" bolts (14) and 3/4" locknut (13). Use 3/4"x2.1/2" bolt (15) and 3/4" locknut (13) to attach lift cylinder to lift channel.  
NOTE: Do not over tighten as this assembly must be able to pivot.
13. Use 1/4"x1" bolts (22) with lock washer (23), flat washers (24), and hex nuts (25) to fasten plow guides to plow.
14. See separate installation instructions for the hydraulic pump, wiring and controls.
15. Return any unused items to the customer so that the vehicle can be returned to its original condition if the snow plow is removed.

Torque Chart (Ft. Lb)		
Size	Grade 5 Bolt	Grade 8 Bolt
1/4 - 28	8	11
5/16 - 24	15	22
3/8 - 24	28	40
7/16- 20	44	63
1/2- 20	69	97
5/8- 18	138	195
3/4-16	241	341
Note: Torque values are for plated bolts only.		