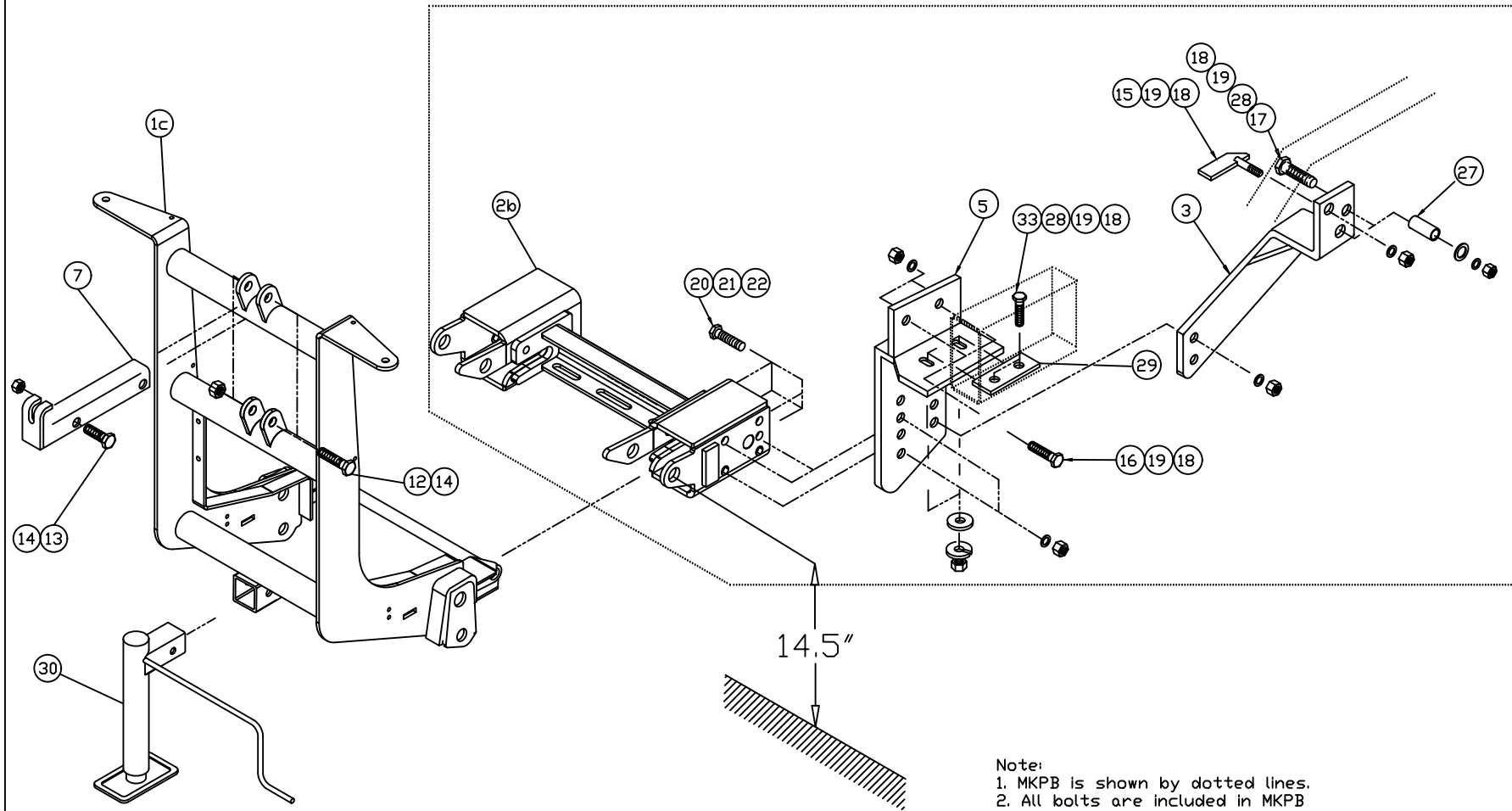


# Mounting Kit 52214-MKPB-QLIV

F150 4x4 1997-2003

F250 Light Duty 4x4 1997-1999

- For the snowplow lights this kit requires:  
800084, 800085 or 800086 light kit,  
53617-M wiring kit and 767052 Adapter Kit (vehicle's headlamp bulb H9007)



Note:  
1. MKPB is shown by dotted lines.  
2. All bolts are included in MKPB  
3. Please use LOCTITE®, or similar locking product on ALL mounting hardware (bolts, nuts, etc.).

Item	Part #	Description	Quantity
1a*	53170-D-GA	Lift Frame, QUIK*LINK® II- low mount	1
1b*	53171-D-GA	Lift Frame, QUIK*LINK®II-Hi boy	1
1c	53517-D	Lift Frame, QUIK*LINK®IV- Hi boy	1
1d*	53564-D	Lift Frame, QUIK*LINK®IV- low mount	1
2a*	52363-C	Spreader Bar QLII	1
2b	53551-C	Spreader Bar QLIV	1
3	52215-01-C	Thrust Arm Driver Side	1
4*	52215-02-C	Thrust Arm Curb side	1
5	52216-01-C	Mounting Bracket Driver Side.	1
6*	52216-02-C	Mounting Bracket Curb Side	1
7	50069-C-GA	Lift Channel (1 ½" cylinder)	1
7a*	52612-B-GA	Lift Channel (2" cylinder)	1
8a*	52348-M	Mounting Pin Ass'y	2
10*	52208-B-GA	Light Bracer	2
11*	52209-B-GA	Light Antler	1
12	HH-00972-153	¾"x3.1/2" Cap screw	2
13	HH-00972-149	¾"x2.1/2" Cap screw	1
14	HH-00973-007	Thin Collar ¾" Nut	3
15	52161-A	Thrust Arm Fastener	2
16	HH-00972-090	½"x1.1/2" Cap screw	10
17	HH-00972-102	½"x5" Cap screw	4
18	HH-00460-002	½" Hex Nut	20
19	HH-00457-001	½" Lock washer	20
20	HH-00972-130	5/8"x2" Cap screw	8
21	HH-00460-002	5/8" Hex Nut	8
22	HH-00457-003	5/8" Lock washer	8

Item	Part #	Description	Quantity
23*	HH-00293-006	1/4"x1" Cap screw	4
24*	HH-00294-001	1/4" Hex Nut	4
25*	HH-00457-006	1/4" Lock washer	4
26*	HH-00341-002	1/4" Flat washer	4
27	52217-C	3.3/4" Pipe sleeves	4
28	HH-00341-006	½" Flat washer	8
29	52064-A	Backing plate	2
30	52373-M	Jack Assembly	1
31*	50999-B	Blade guides	2
32	HH-00972-155	3/4" x 4" UNF Cap screw	2
33*	HH-00972-091	½" X 1 3/4" Cap screw	4
34*	52214-M-WB	52214 Bolt bag c/w welded bolts	-

QUIK\*LINK is a trademark of Arctic Equipment Manufacturing Corporation

**Note:** \* These items are not shown on the drawing.

### GENERAL

**Customer must be aware of following:**

Arctic Equipment Manufacturing Corporation (Arctic) does not assume liability for damage to your motor vehicle resulting from the attachment or use of an Arctic snowplow. The purchaser assumes all vehicle risk associated with the attachment and operation of this snowplow.

The Arctic snowplow you purchase must be used only on vehicles equipped with the manufacturer's snow plow preparation package. Snow plowing without the original plow preparation package may damage your vehicle. The added weight may impair the operation and control of your vehicle. Snow plowing with a vehicle not recommended for that purpose by the manufacturer may void your new vehicle warranty. If your vehicle is not equipped with an original snow plow preparation package, additional equipment may be necessary before snow plowing. Please consult your vehicle and snowplow dealers prior to the purchase and installation of the snowplow. The installation of such parts however is not a full substitute for the original equipment snowplow preparation package.

**CAUTION:** Disconnect the battery cables before beginning the installation.

Before drilling any holes in the firewall or frame, move brake lines fuel lines and/or electrical wiring from the path of the drill. Brake and fuel lines must also be clear of any

fasteners.

All bolts should be installed from the inside of the truck frame so that the lock washers and nuts are accessible for retightening.

If a slotted hole in the truck frame is utilized, then a flat washer must be used under the bolt head. If a flat washer is used under a lockwasher use LOCTITE #242. Also use this LOCTITE #242 if existing (vehicle) bolts and nuts are used.

Do not tighten any bolt assemblies until all fasteners and components are installed, unless otherwise specified.

**After first use retighten all mounting bolts**, there after check mounting bolt tightness periodically.

Before proceeding, read instructions carefully and familiarize yourself with the components and hardware.

### INSTALLATION INSTRUCTIONS

1. Remove splash pan and tow hooks.
2. Install backing plate (29) inside of vehicle frame. Install mounting brackets (5) & (6) using  $\frac{1}{2}$ " x  $1\frac{3}{4}$ " bolt (33) (apply LOCTITE #242 on the bolt), flat washer (28), lockwasher (19) and nut (18). Using holes in mounting bracket as guides drill two holes  $\frac{17}{32}$ " in vehicle frame and insert  $\frac{1}{2}$ "x $1\frac{1}{2}$ " bolt (16) from the inside of the frame through the hole in side of the frame rail. Secure with a  $\frac{1}{2}$ " lock washer (19) and nut (18).
3. Insert frame fasteners (15) into available slots in the truck frame. Install thrust arms (3) & (4) onto fasteners and secure with  $\frac{1}{2}$ " lock washer (19) and nut (18).
4. Install spreader bar (2b) between mounting brackets (5) & (6) and fasten using  $\frac{5}{8}$ " x 2" bolts (20), lock washers (22) and nuts (21).

NOTES: The rearmost bolt on each side also goes through the thrust arms.

The spreader pin hole should be located  $14\frac{1}{2}$ " (+/-  $\frac{1}{2}$ ") off of the ground.

5. Push up on the thrust arms so that they are tight against the frame and tighten all fasteners.
6. Using holes as a guide in the thrust arm, drill two  $\frac{17}{32}$ " holes through both sides of each frame rail. Use a drill or die grinder to open hole in outer frame rail to  $\frac{27}{32}$ " to accept the pipe sleeve. Install  $\frac{1}{2}$ " x 5" bolt (17) (through inside frame rail first) then slide pipe sleeve (27) over bolt and through the thrust arm and outer frame rail. Secure using  $\frac{1}{2}$ " flat washers (28), lock washers (19) and nuts (18).

7. Torque all fasteners using torque chart.
8. Install lift frame (1c). Slide lift frame inside of spreader bar (2b).
9. Torque all fasteners according to torque chart.  
(See: bottom of page for torque chart)
10. Install lift channel (7) and lift cylinder (or power unit) to the lift frame (1c).  
Use 3/4"x3.1/2" (12) bolt and 3/4" thin collar nut (14) at lift frame (1) connection.  
Use 3/4"x2.1/2" bolt (13) and 3/4" thin collar nut (14) at cylinder and lift  
channel (7) connection

**NOTE:** Do not tighten, as this assembly must be able to pivot.

12. Use 1/4"x1" bolt (23), 1/4" hex nut (24), 1/4" flat washer (26) and 1/4" lock washer (25), to fasten blade guides to plow.

Torque Chart (Ft. Lb)		
Size	Grade 5 Bolt	Grade 8 Bolt
1/4 - 28	8	11
5/16 - 24	15	22
3/8 - 24	28	40
7/16- 20	44	63
1/2- 20	69	97
5/8- 18	138	195
3/4-16	241	341

Note: Torque values are for plated bolts only.