

# ARCTIC SV90P

## Arctic Standard Duty V plow

**▲ Warning**

Do not exceed GVWR or GAWR, including blade and ballast. The rating label is found on the driver side vehicle door corners.

**▲ Warning**

Inspect snowplow components for wear and damage when mounting or removing snowplow and before traveling.

**▲ Warning**

Lower the blade when the vehicle is parked. Temperature changes could change hydraulic pressure, causing the blade to drop unexpectedly or damaging hydraulic components. Failure to do this can result in serious personal injury.

**▲ Warning**

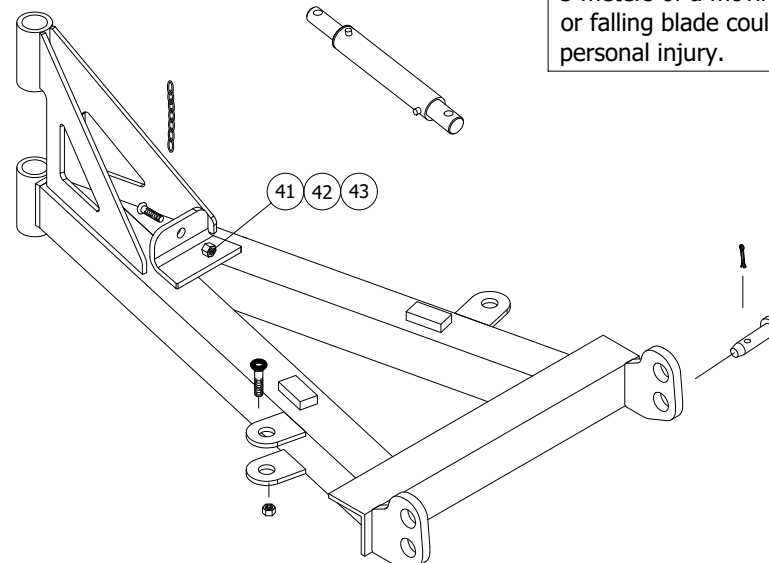
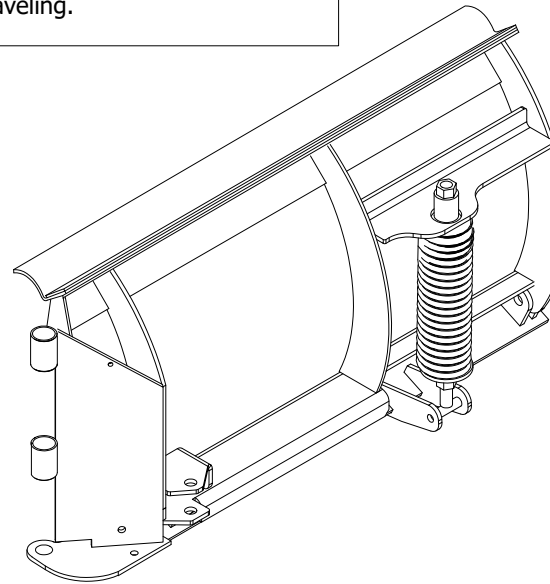
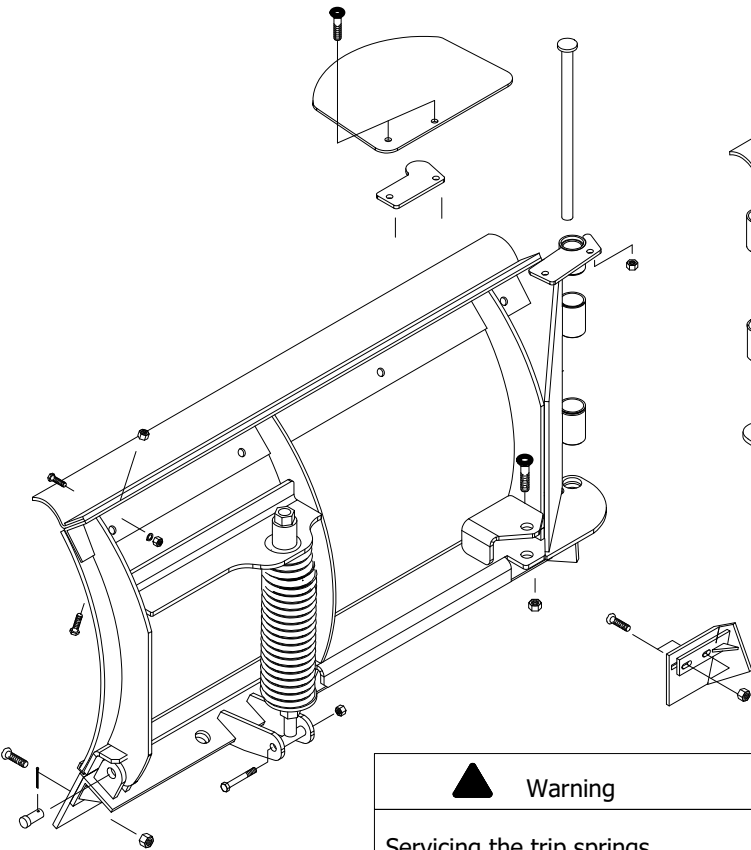
Keep hands and feet clear of the blade, A-frame and cylinders when mounting or removing the snowplow. Moving or falling assemblies could cause personal injury. Never use a finger to check an alignment. Moving or falling assemblies could crush your finger.

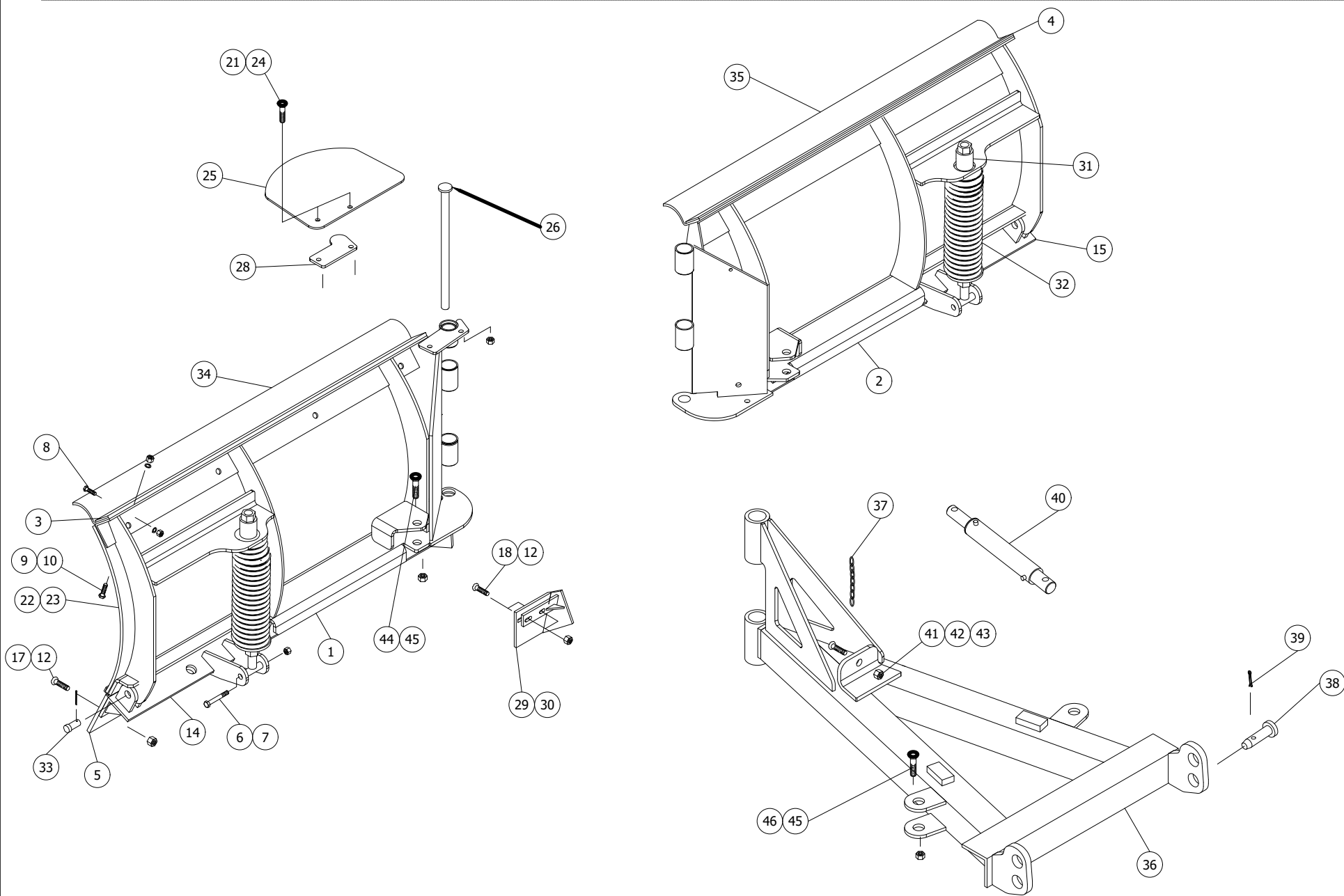
**▲ Warning**


The driver should keep bystanders clear of the blade when it is being raised, lowered or angled. Do not stand between the vehicle and the blade or within 3 meters of a moving blade. A moving or falling blade could cause personal injury.

**▲ Warning**

Servicing the trip springs without special tools and knowledge could result in personal injury. See Arctic authorized dealer for service.





 Warning

Do not exceed GVWR or GAWR, including blade and ballast. The rating label is found on the driver side vehicle door corners.

Lower the blade when the vehicle is parked. Temperature changes could change hydraulic pressure, causing the blade to drop unexpectedly or damaging hydraulic components. Failure to do this can result in serious personal injury.

Servicing the trip springs without special tools and knowledge could result in personal injury. See Arctic authorized dealer for service.

Inspect snowplow components and bolts for wear and damage when mounting or removing snowplow and before traveling.

Keep hands and feet clear of the blade, A-frame and cylinders when mounting or removing the snowplow. Moving or falling assemblies could cause personal injury. Never use a finger to check an alignment. Moving or falling assemblies could crush your finger.

Do not stand between the vehicle and the blade or within 10' of a moving blade. A moving or falling blade could cause personal injury.

To prevent accidental movement of the blade, always turn the control OFF whenever the snowplow is not in use.

53984-M -Arctic Standard Duty V blade comes with A-frame and Hardware			
1	53941-D	45" DS Blade Frame	1
2	53942-D	45" CS Blade Frame	1
3	53737-B	DS Deflector Strap	1
4	53742-B	CS Deflector Strap	1
5	53956-M	Cutting Edge 3/8 X 6	2
6	HH-00972-100	Bolt, 1/2 - 20 NF X 4"	2
7	HH-00540-004	Locknut, 1/2-20 NF Nylon Inserted	2
8	52288-M	Deflector Bolt Kit (8)	1
9	HH-00340-017	Nut, 5/16 In NC Nylon Insert	8
10	HH-00971-044	Bolt, Carriage, 5/16 NC 1 1/4 In	8
12	HH-00294-005	1/2-13 UNC Hex Nut	12
13	HH-00340-003	Nut, 1/2-13 UNC Nylon Insert	6
14	53953-D	DS Bottom Angle	1
15	53954-D	CS Bottom Angle	1
16	HH-00233-001	Grease Fitting	5
17	HH-00971-137G8	1/2-13 X 1.3/4 Carriage Bolt (Grade 8)	8
18	HH-00971-140	1/2 - 13 NC x 2.1/2 In Carriage Bolt Gr 5	4
20	HH-00020-107	5/32 x 1.1/4 In Cotter Pin	3
21	HH-00293-051	3/8-16 X 1.1/2 NC Hex Bolt	2
22	53985-01-D	Poly Skin DS	1
23	53985-02-D	Poly Skin CS	1
24	HH-00340-001	Nut 3/8 , Nylon Insert	2
25	53981-M	Center Deflector	1
26	53940-B	Pin	1
27	HH-00020-107	5/32 In x 1.1/4 In Cotter Pin	3
28	54011-M	Galvanized Top Pin Spacer	1
29	53960-01-B	DS Center Cutting Edge	1
30	53960-02-B	CS Center Cutting Edge	1
31	52440-C	Spring Tube Assembly (Spring Not Included)	2
32	52441-M	Trip Edge Spring	2
33	52442-A	3/4 X 2.1/8 rivet	6
34	53747-01-CR	DS Curved Deflector	1
35	53747-02-CR	CS Curved Deflector	1
36	53961-D	A-Frame	1
37	55018-02-M	Short Lift Chain, 30 In	2
38	53325-A	A-Frame Pin (Rivet) 1/4 In Hole	2
39	HH-00020-164	Cotter Pin, 1/4 In X 1.1/2 In	2
40	52873-NRS	1.1/2 X 2 X 9 Double Acting V-Plow Cylinder	2

---

41	HH-00972-090	Bolt, Hex Head, 1/2 - 20 x 1 1/2 In	1
42	HH-00460-002	1/2 In X 20 Hex Nut	1
43	HH-00457-001	1/2 Lockwasher	1
44	53546-N	3/4-16 X 3.1/2 Hex Head Grade 8 Bolt	2
45	HH-00973-007	Locknut, Thin 3/4 In	4
46	HH-00972-152	3/4 x 3.1/4 NF Hex Head Grade Bolt	2

Arctic Equipment Manufacturing Corporation reserves the right under its product improvement policy to change construction or design details and furnish equipment when so altered without reference to illustrations or specifications used.