

Table of Contents for Standard Steel

Arctic Standard Duty Steel Blade 84", 90" (Blade, Quadrant, A-frame).....2  
Arctic Standard Steel Blade, Quadrant & A-frame Installation.....6

Important note:

Lift frames for this specific blade are listed below:

QL-MKB

QUIK\*LINK ® II-MKB

QUIK\*LINK ® II-HI

QUIK\*LINK ® III-MKB

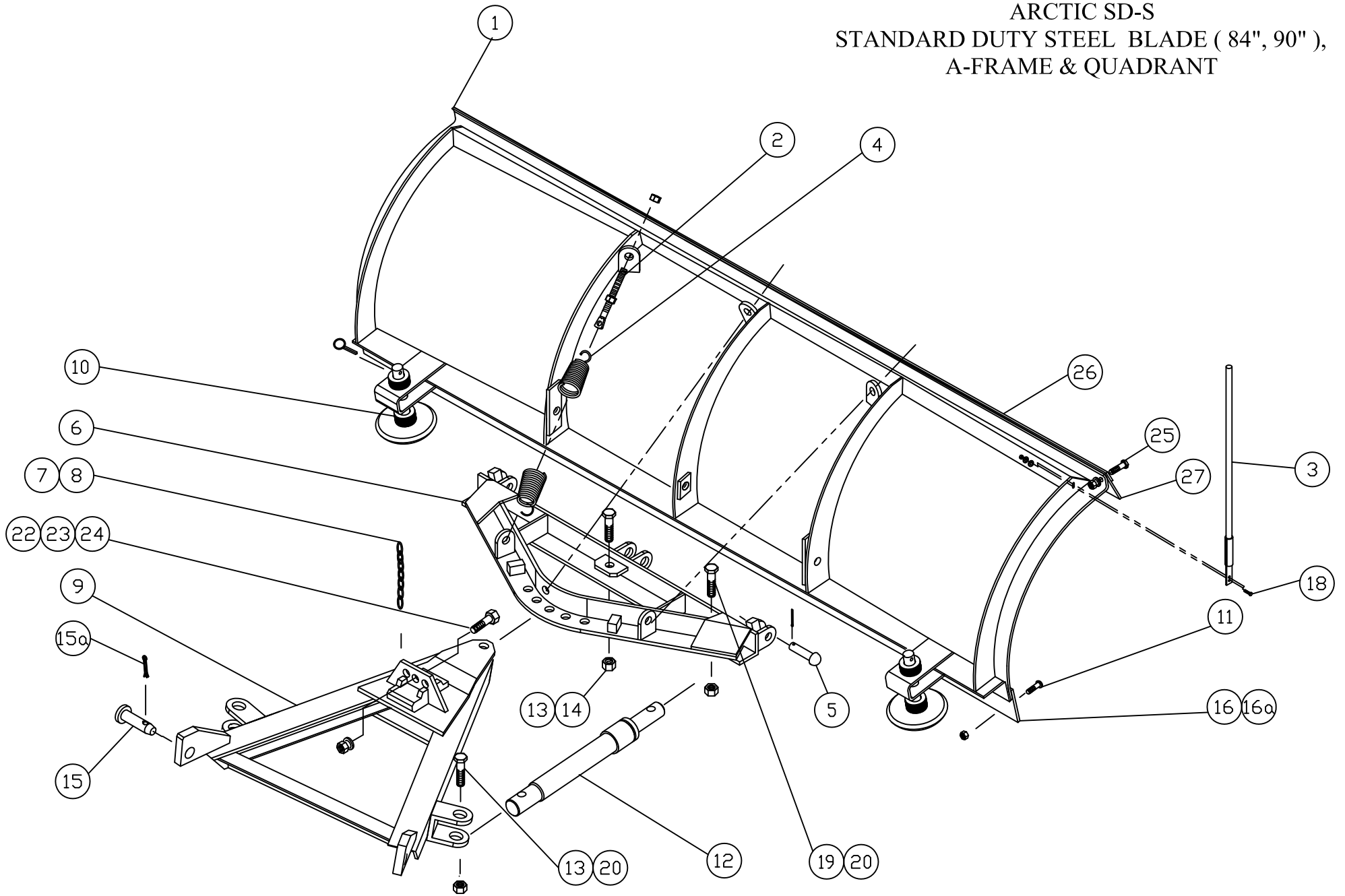
QUIK\*LINK ® III-MKB-M3493

QUIK\*LINK ® III-HI

For more information about the lift frame, check under Lift frame section

Arctic SD-S  
Arctic Standard Duty Steel Blade 84",  
90"  
(Blade, Quadrant, A-frame)

ARCTIC SD-S  
STANDARD DUTY STEEL BLADE ( 84", 90" ),  
A-FRAME & QUADRANT



<b>Standard Duty Steel Blade (Blade, Quadrant, A-frame) Galvanized</b>			
<b>Item</b>	<b>Part #</b>	<b>Description</b>	<b>Quant</b>
1	50016-M-GA	84" Blade Assembly Galvanized (includes blade, shoe, cutting edge)	1
	50018-M-GA	90" Blade Assembly Galvanized (includes blade, shoe, cutting edge)	
2	50191-M	Eye Bolt Assembly	3
3	50999-B	Blade Guide	2
4	50180-C	Trip Spring	3
5	50232-M	Rivet Assembly	3
6	50830-D-GA	Quadrant Galvanized	1
7	55018-M	Lift Chain 30"	1
8	55018-02-M	Lift Chain 36"	
9	50656-D-GA	32" A-Frame Galvanized	1
10	50037-B-GA	Shoe Assembly Galvanized	2
10a	50666-B-GA	Shoe Galvanized	1
10b	50040-A	Quick Release Pin	2
10c	55017-M	Shoe Washer	24
11	52593-M	Carriage Bolt Assembly	8
11a	HH-00971-137	Carriage Bolt, 1/2" -13 X 1 3/4"	1
11b	HH-00340-003	Lock Nut 1/2"	1
12	CS150-10.00-NRS	1 1/2 x 10 Angle Cylinder	2
13	HH-00972-152	3/4"x 3 1/4" Cap screw	3
14	HH-00540-003	3/4" -16 Nylon insert locknut	1

<b>Standard Duty Steel Blade (Blade, Quadrant, A-frame) Galvanized</b>			
<b>Item</b>	<b>Part #</b>	<b>Description</b>	<b>Quant</b>
15	53325-A	Spreader Pin	2
15a	HH-00020-164	Cotter pin	2
16	50034-N	84" Cutting Edge	1
17	50035-N	90" Cutting Edge	
18	GB001	Guide Bolt Ass'y	4
19	HH-00972-153	3/4"x 3 1/2" Cap screw	2
20	HH-00973-007	3/4" Hex Nut Nylon Insert	4
22	HH-00972-090	1/2"x1.1/2" Cap screw	1
23	HH-00457-001	1/2" Lock washer	1
24	HH-00460-002	1/2" Hex Nut	1
25	52288-M	Deflector Bolt Kit 84"/90"	1
26	52238-M	Deflector Strap - 84"	1
	52239-M	Deflector Strap - 90"	
27	52244-M	Deflector - 84"	1
	52245-M	Deflector - 90"	

# Arctic Standard Steel Blade, Quadrant & A-frame Installation

### **Installation Instructions**

1. Lay blade face down on the floor. Attach quadrant (11) to blade by inserting rivets (3) through the holes in the quadrant lugs and blade ribs. Install the centre one first. Secure the rivets with the cotter pins.
2. Take an eye bolt (1) and screw one nut all the way down the thread. Attach spring (2) to the quadrant and the eye bolt, making sure the open end of the spring faces up on the quadrant. Lift the quadrant and insert the eye bolt through the corresponding hole in the spring plate. Secure the eye bolt with another nut. This will hold the quadrant in an upward position, and ease installation of the remaining two springs and eye bolts.
3. Tighten the eye bolt upper nut until the spring coils just break loose from each other. Secure eye bolts in position by tightening the lower nut against the blade spring plate.
4. Lift chain (4) is attached by inserting a ½" bolt (6) through the last link and in the hole in the A-frame lifting bar. Tighten a ½" nut (7) and lock washer (8) firmly from the face side of the lifting bar.

### **To attach snowplow to vehicle mount, proceed as follows**

1. Position the vehicle such that the A-frame lugs and vehicle mount are in vertical alignment.
2. Hook the chain into the lift channel slot.
3. Actuate lift cylinder slowly. Blade will remain on the ground, but the A-frame will begin to rise. Continue until the A-frame lug holes align with the holes on the vehicle mount.
4. Insert the spreader pins (5) through the holes to attach the A-frame to the vehicle mount. Secure attachment by inserting cotter pins (5a) into the spreader pins.
5. With the control switch in the DOWN position, push the lift channel downward as far as possible and adjust the chain so there are two links of slack.
6. Check the cutting edge clearance. Use a combination of spacer washers until ½" clearance between the ground and cutting edge is achieved. Secure shoes by inserting the lynch pins into the shoe.

**Arctic Equipment Manufacturing Corporation**  
 Standard steel blade, quadrant & A-frame installation

51061-01-M R06  
 INST0042

<b>Arctic Standard Steel blade, quadrant &amp; A-frame installation Galvanized</b>						
Item	Part Number	Description	Quantity			
			Hardware Kit 51061-01-M	Hardware Kit 51061-02-M	*Power Angling Assembly 51065-M	*Power Angling Assembly 51066-M- GA
1	50191-M	Eye Bolt Assembly (includes eye bolt & 2 5/8" hex nuts)	3			
2	50180-C	Trip Spring	3			
3	50232-M	3/4"X3" Rivet Assembly (includes cotter pin)	3			
4	55018-02-M	Chain Quik Link		1		
	55018-M	Chain Standard	1			
5	53325-A	Spreader Bar Pin	2			
5a	HH-00020-164	Cotter pin	2			
6	HH-00972-090	½-20 x 1.1/2 Hex Head Cap Screw	1			
7	HH-00460-002	½-20 Hex Nut	1			
8	HH-00457-001	½ Lockwasher	1			
9	50656-D-GA	32" A-Frame Galvanized				1
10	50730-D-GA	28" A-Frame Galvanized			1	
11	50830-D-GA	Quadrant Galvanized			1	
12	CS150-10.00-NRS	Angle Cylinder 1 ½" x 10"			2	



**Arctic Equipment Manufacturing Corporation**

Standard steel blade, quadrant &amp; A-frame installation

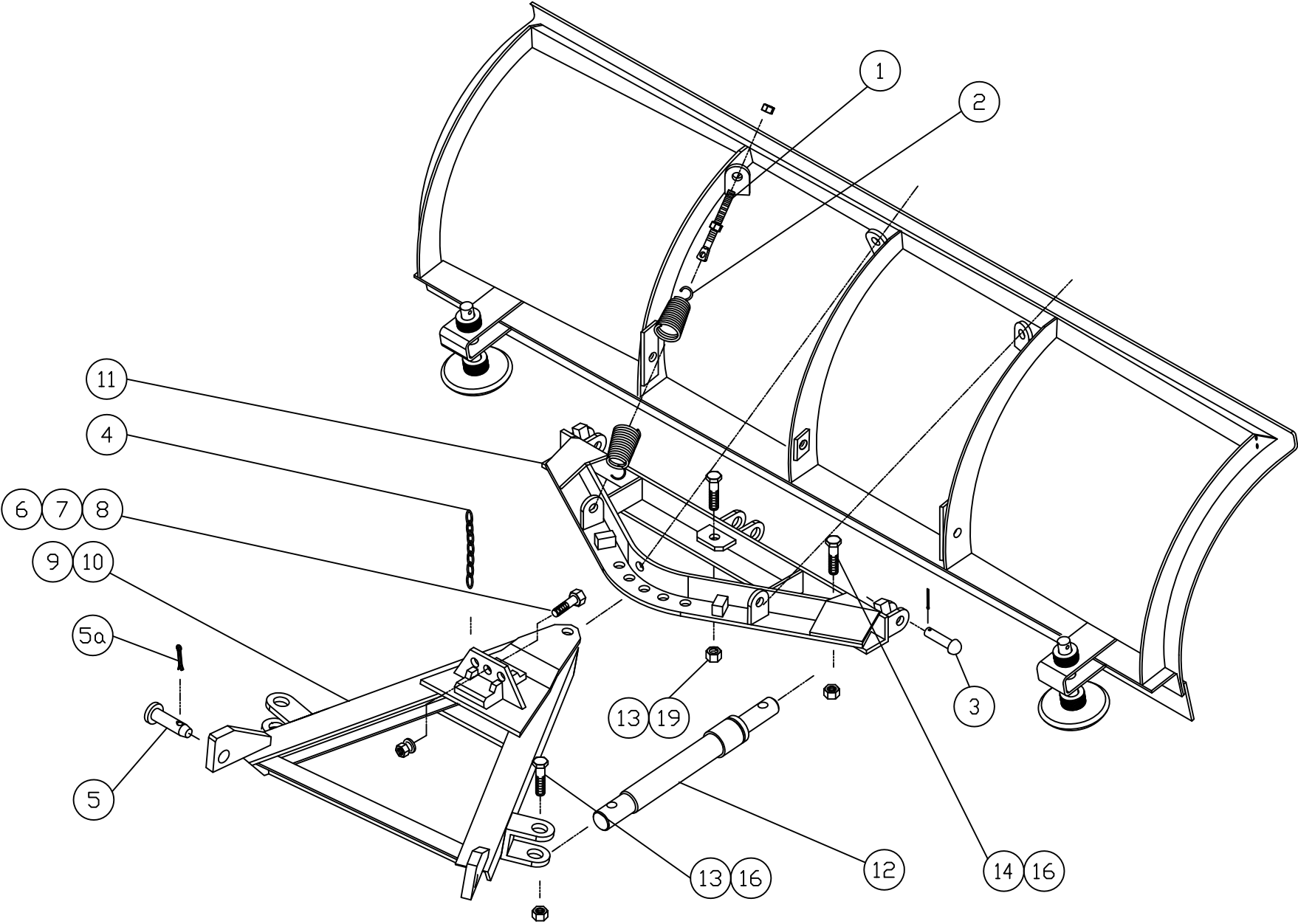
51061-01-M R06

INST0042

<b>Arctic Standard Steel blade, quadrant &amp; A-frame installation Galvanized</b>						
Item	Part Number	Description	Quantity			
			Hardware Kit 51061-01-M	Hardware Kit 51061-02-M	*Power Angling Assembly 51065-M	*Power Angling Assembly 51066-M- GA
13	HH-00972-152	3/4-16 x 3.1/4" Hex Head Cap Screw			2	
14	HH-00972-153	3/4-16x 3.1/2" Hex Head Cap Screw			2	
16	HH-00973-007	3/4-16 Hex Nut Nylon Insert			4	
17	HH-00005-008	3/4-16 Castle Nut			1	
18	HH-00020-087	1/8Dx2L Cotter Pin			1	
19	51188-A	3/4"x2.1/2" Hinge Bolt			1	

\*Power Angling Assembly 51065-M & 51066-M-GA comes assembled from Arctic Equipment.

# ARCTIC STANDARD STEEL BLADE, A-FRAME & QUADRANT INSTALLATION



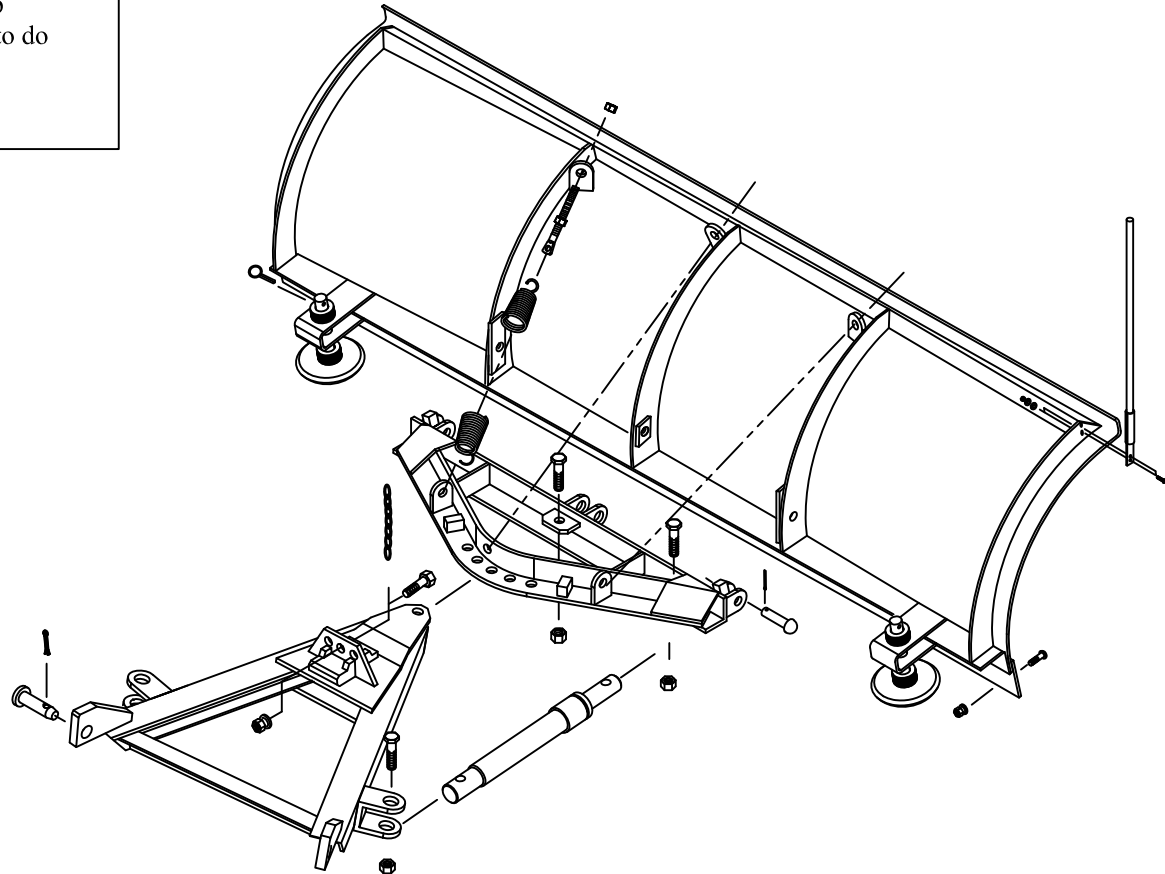
## ARCTIC SD-S ( 84", 90" ) BLADE, A-FRAME & QUADRANT

### Warning

Lower the blade when the vehicle is parked. Temperature changes could change hydraulic pressure, causing the blade to drop unexpectedly or damaging hydraulic components. Failure to do this can result in serious personal injury.

### Warning

Do not exceed GVWR or GAWR, including blade and ballast. The rating label is found on the driver side vehicle door corners.



### Warning

Inspect snowplow components and bolts for wear and damage when mounting or removing snowplow and before traveling.

### Warning

Keep hands and feet clear of the blade, A-frame and cylinders when mounting or removing the snowplow. Moving or falling assemblies could cause personal injury. Never use a finger to check an alignment. Moving or falling assemblies could crush your finger.

### Warning

Do not stand between the vehicle and the blade or within 10' of a moving blade. A moving or falling blade could cause personal injury.