

Arctic Equipment Manufacturing Corporation

Cylinders

Table of Contents

Chrome Angling Cylinders

CS150-10.00-012.....	2
CS200-16.00-069.....	3
52873-N (V Plow).....	4
53026-N (XHD-P).....	5

Chrome Lift Cylinders

CS150-06.00-062.....	6
CD150-05.00-055 (Plow Partner).....	7
CS200-06.00-069.....	8
CS200-06.00-901.....	9

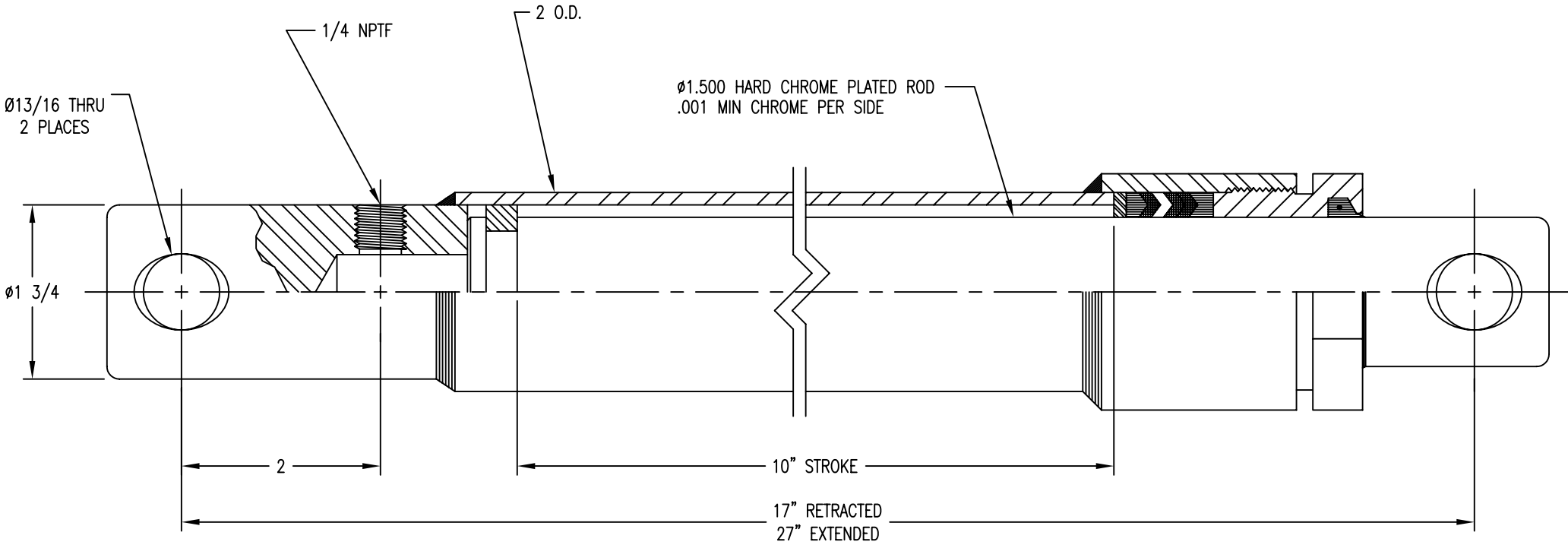
Nitrotec Angling Cylinders

CS150-10.00-NRS.....	10
52873-NRS.....	11
53026-NRS.....	12

Nitrotec Lift Cylinders

CS150-06.00-NRS.....	13
CD150-05.00-NRS.....	14
CS200-06.00-NRS.....	15

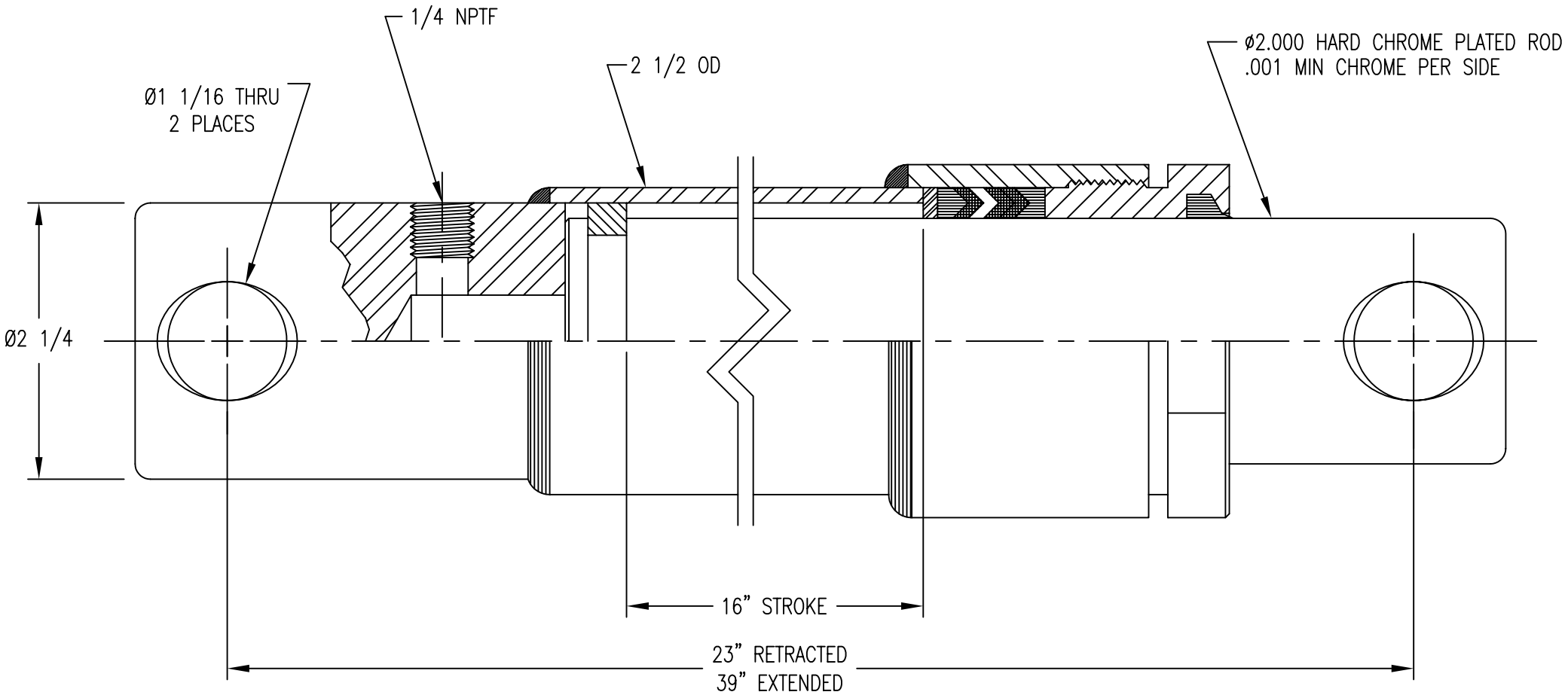
CS150-10.00-012
 1 1/2" x 10 SINGLE ACTING CYLINDER
 ANGLING CYLINDER - REGULAR BLADE (STRAIGHT, TRIP EDGE)
 (USED UNTIL 2008)



Replacement parts:

- FP5111 1 1/2" Wiper
- FP5112 1 1/2" Gland Nut
- FP5113 1 1/2" V' packing
- FP5114 1 1/2" Spreader Washer

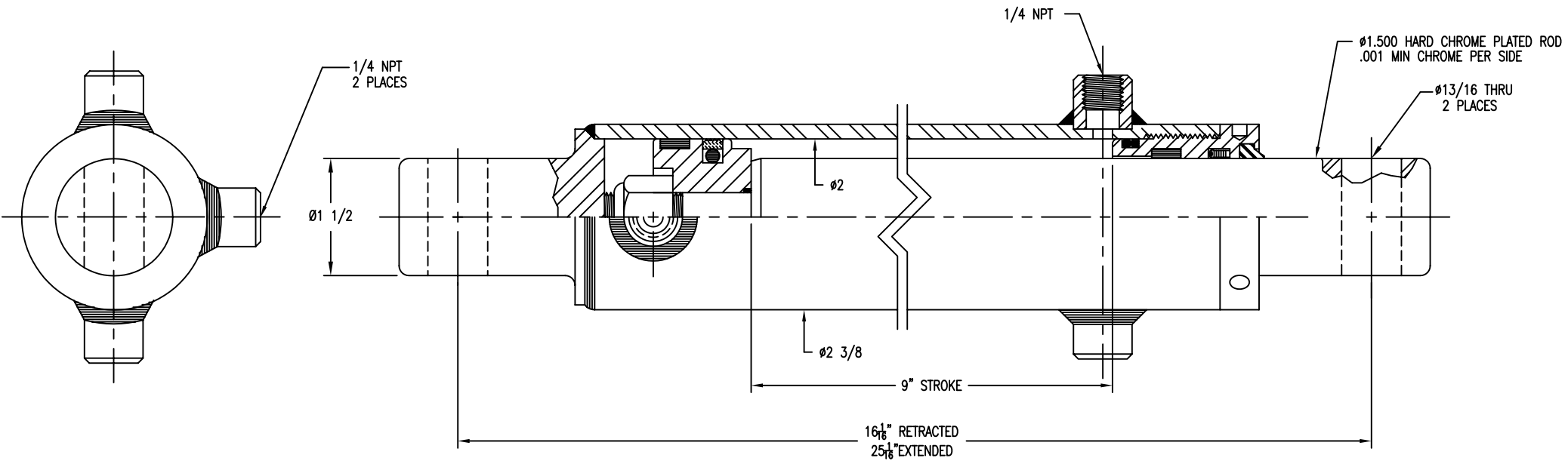
CS200-16.00-069
 2" x 16" SINGLE ACTING CYLINDER
 ANGLING CYLINDER - FOR 10' STEEL BLADE ONLY
 (USED UNTIL 2008)



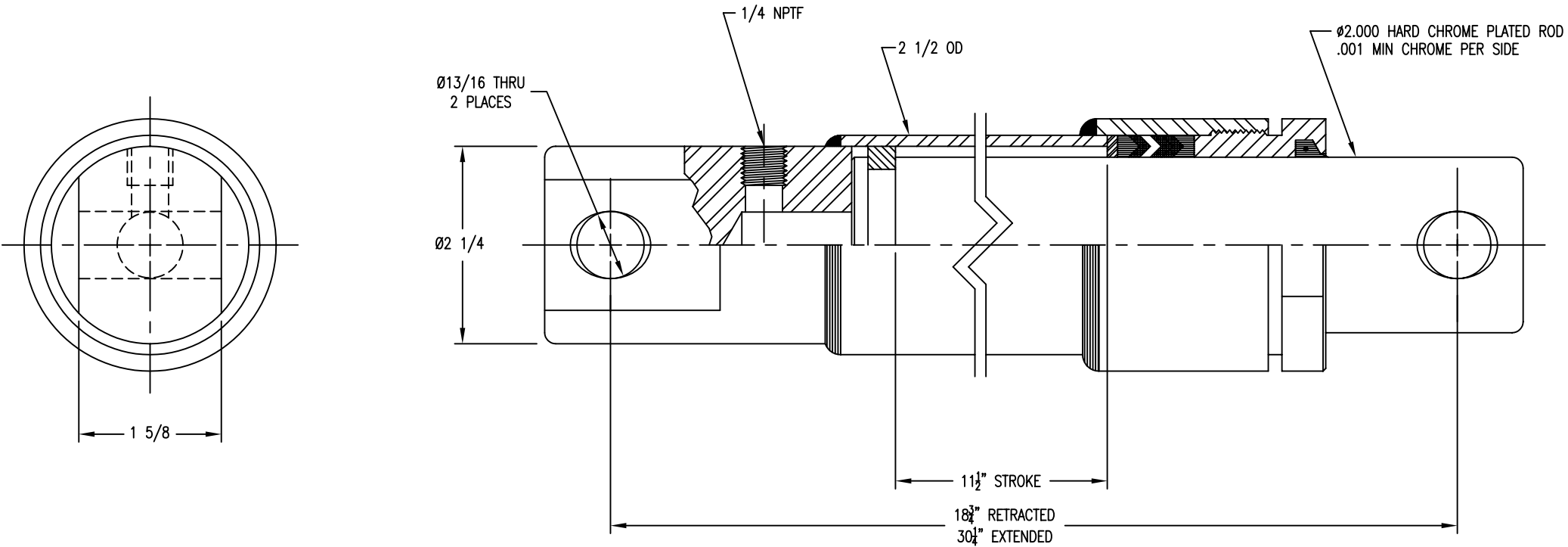
Replacement parts:

- | | |
|--------|--------------------|
| FP5121 | 2" Wiper |
| FP5122 | 2" Gland Nut |
| FP5123 | 2" V' packing |
| FP5124 | 2" Spreader Washer |

52873-N
1 1/2" X 2" X 9" DOUBLE ACTING CYLINDER
ANGLE CYLINDER - 'V' PLOW (used until 2008)



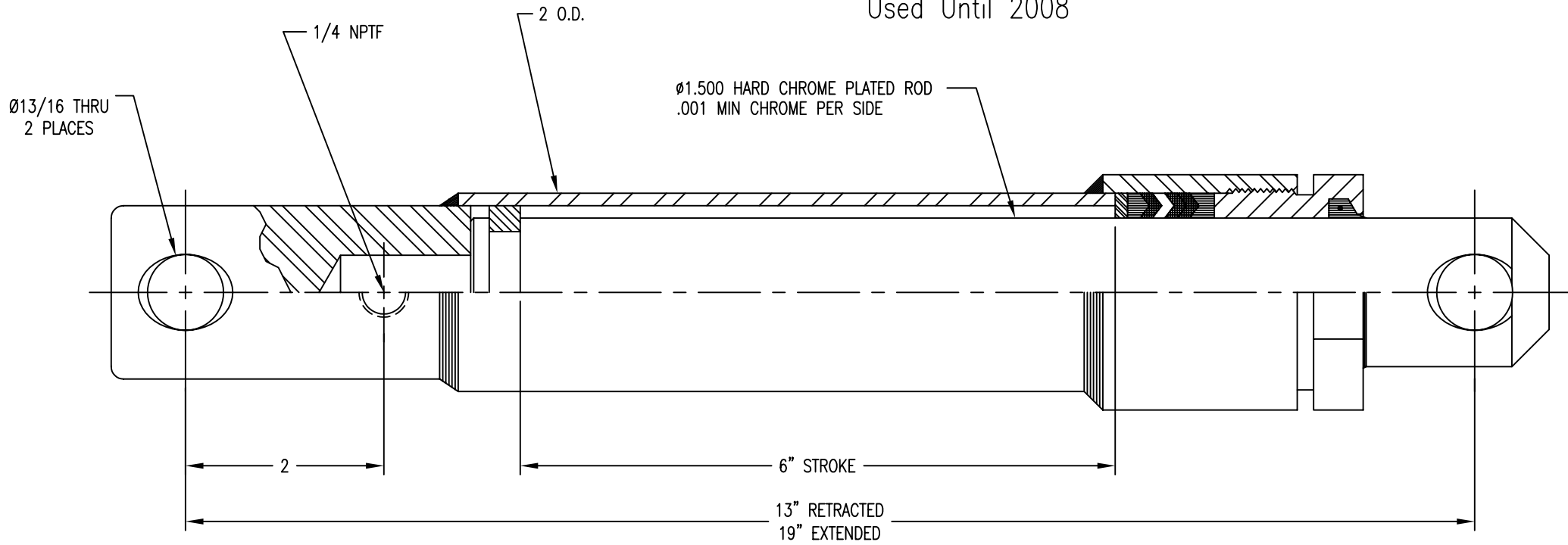
53026-N
 2" x 11 1/12 SINGLE ACTING CYLINDER
 ANGLING CYLINDER - 10' POLY BLADE
 (USED UNTIL 2008)



Replacement parts:

- FP5121 2" Wiper
- FP5122 2" Gland Nut
- FP5123 2" V packing
- FP5124 2" Spreader Washer

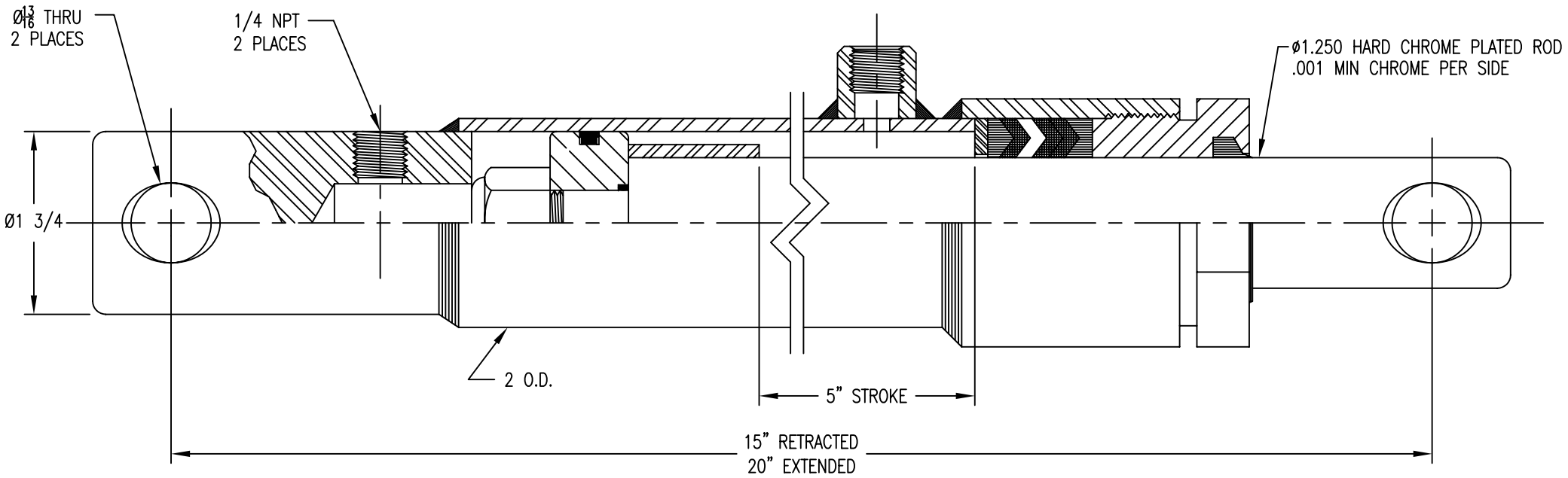
CS150-06.00-062
 1 1/2" x 6" SINGLE ACTING CYLINDER
 LIFT CYLINDER
 Used Until 2008



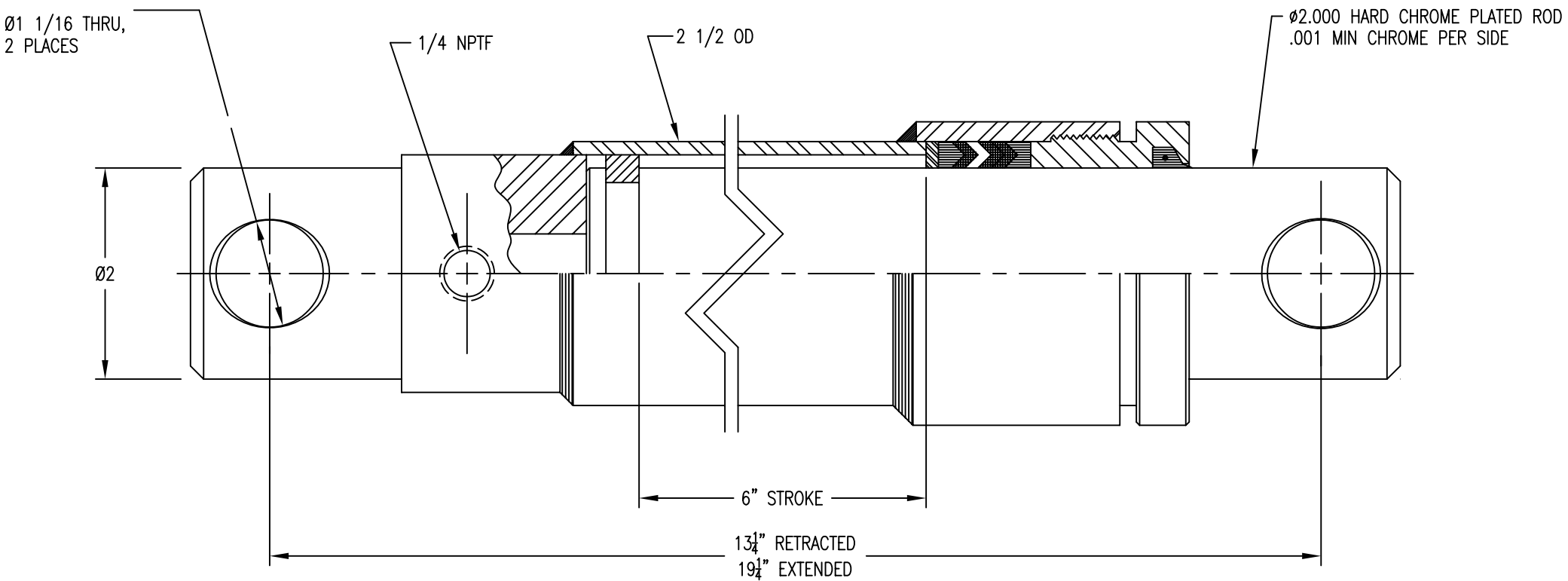
Replacement parts:

- | | |
|--------|------------------------|
| FP5111 | 1 1/2" Wiper |
| FP5112 | 1 1/2" Gland Nut |
| FP5113 | 1 1/2" V' packing |
| FP5114 | 1 1/2" Spreader Washer |

CD150-05.00-055
1 1/4" x 1 3/4" x 5" DOUBLE ACTING CYLINDER
LIFT CYLINDER (PLOW PARTNER)
Used Until 2008



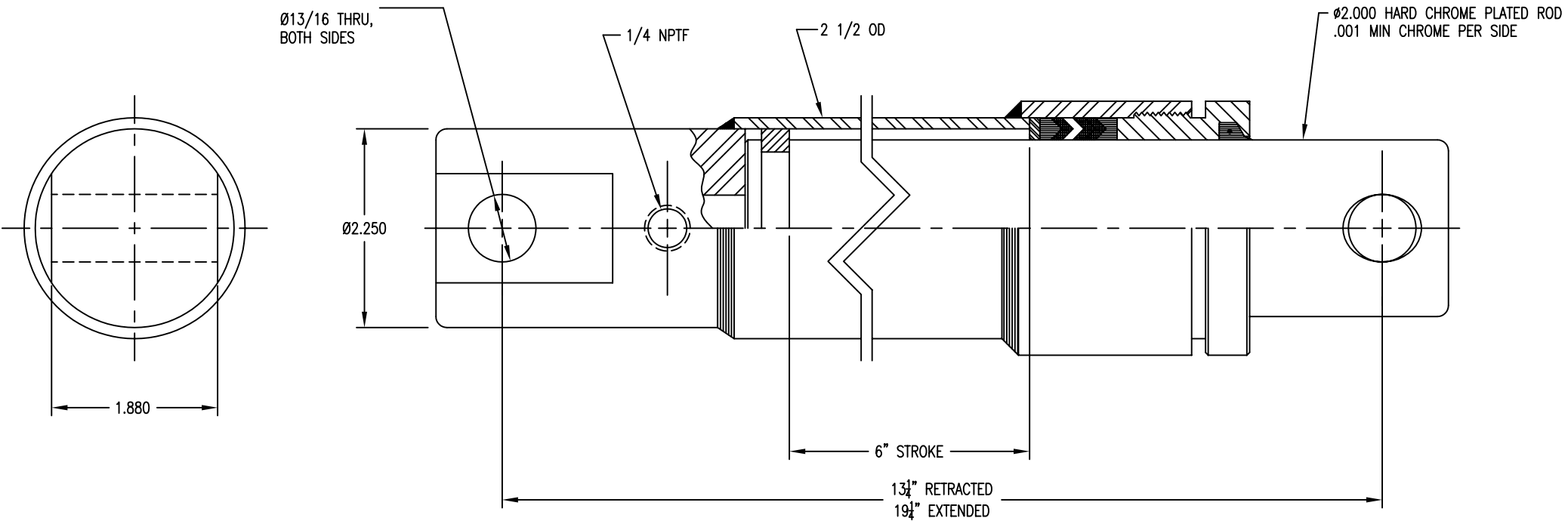
CS200-06.00-069
 2" x 6" SINGLE ACTING CYLINDER
 LIFT CYLINDER (10' STEEL BLADE ONLY)
 Used Until 2008



Replacement parts:

- | | |
|--------|--------------------|
| FP5121 | 2" Wiper |
| FP5122 | 2" Gland Nut |
| FP5123 | 2"V' packing |
| FP5124 | 2" Spreader Washer |

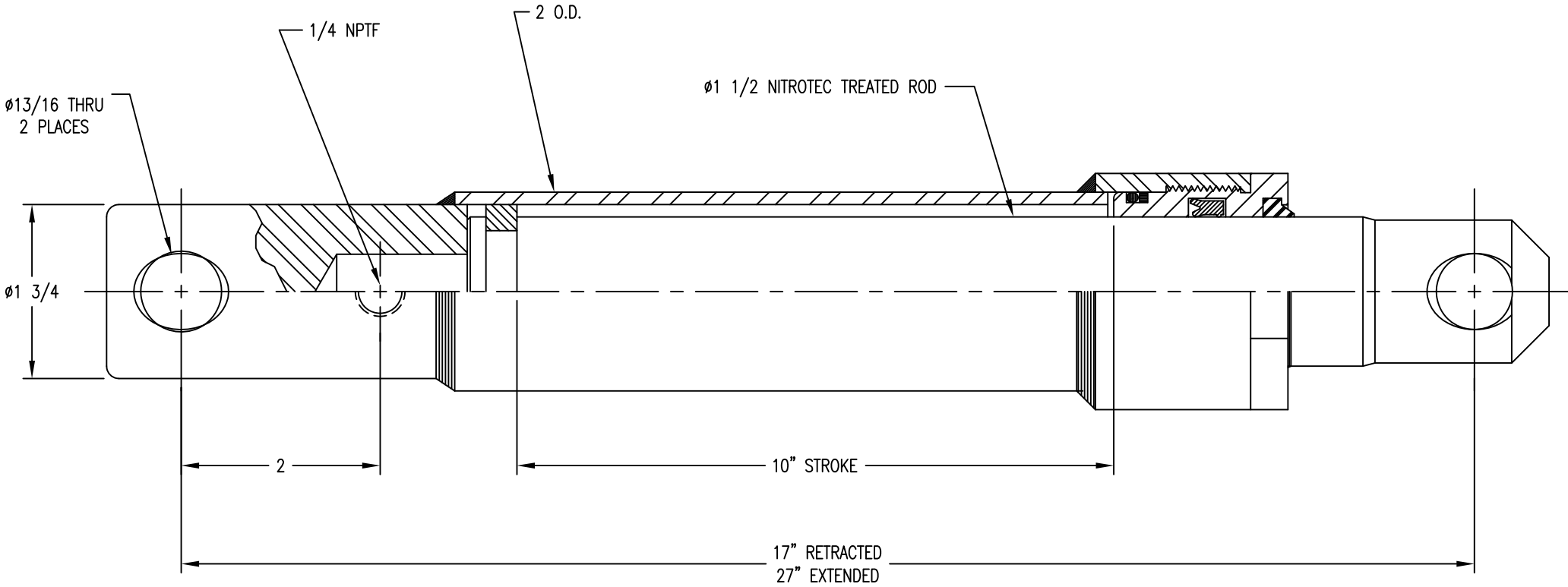
CS200-06.00-901
 2" x 6 SINGLE ACTING CYLINDER
 LIFT CYLINDER (TRIP EDGE, V PLOW, 10' BLADE)
 Used Until 2008



Replacement parts:

- | | |
|--------|--------------------|
| FP5121 | 2" Wiper |
| FP5122 | 2" Gland Nut |
| FP5123 | 2" V packing |
| FP5124 | 2" Spreader Washer |

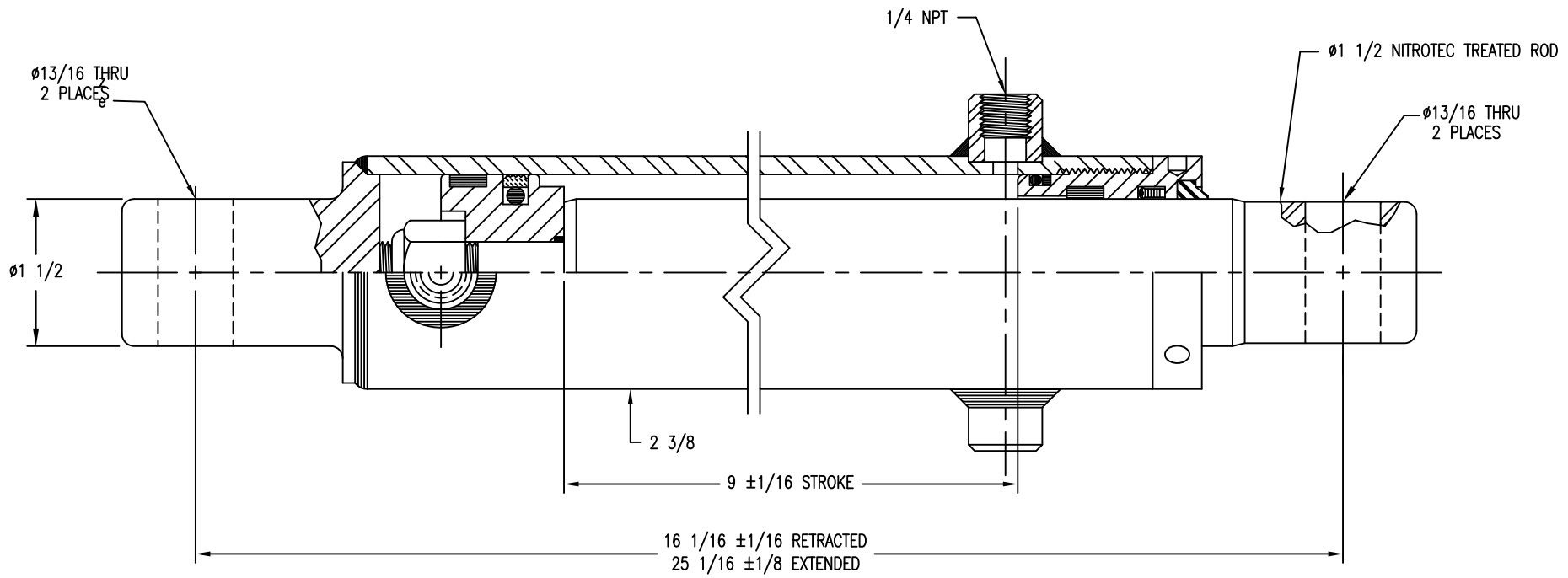
CS150-10.00-NRS
1 1/2" x 10 SINGLE ACTING CYLINDER
ANGLING CYLINDER - REGULAR BLADE (STRAIGHT, TRIP EDGE)
Used From 2008 - Current



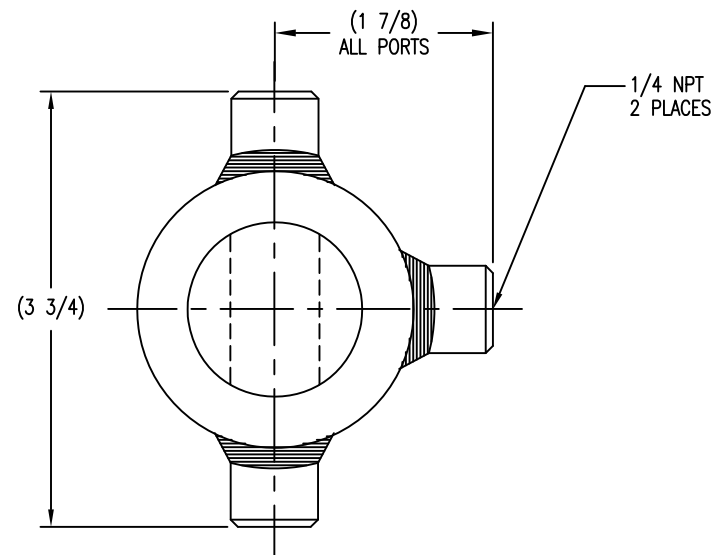
Replacement parts:

- CS150-NRS-01 Seal Kit
- CS150-NRS-02 Gland Nut

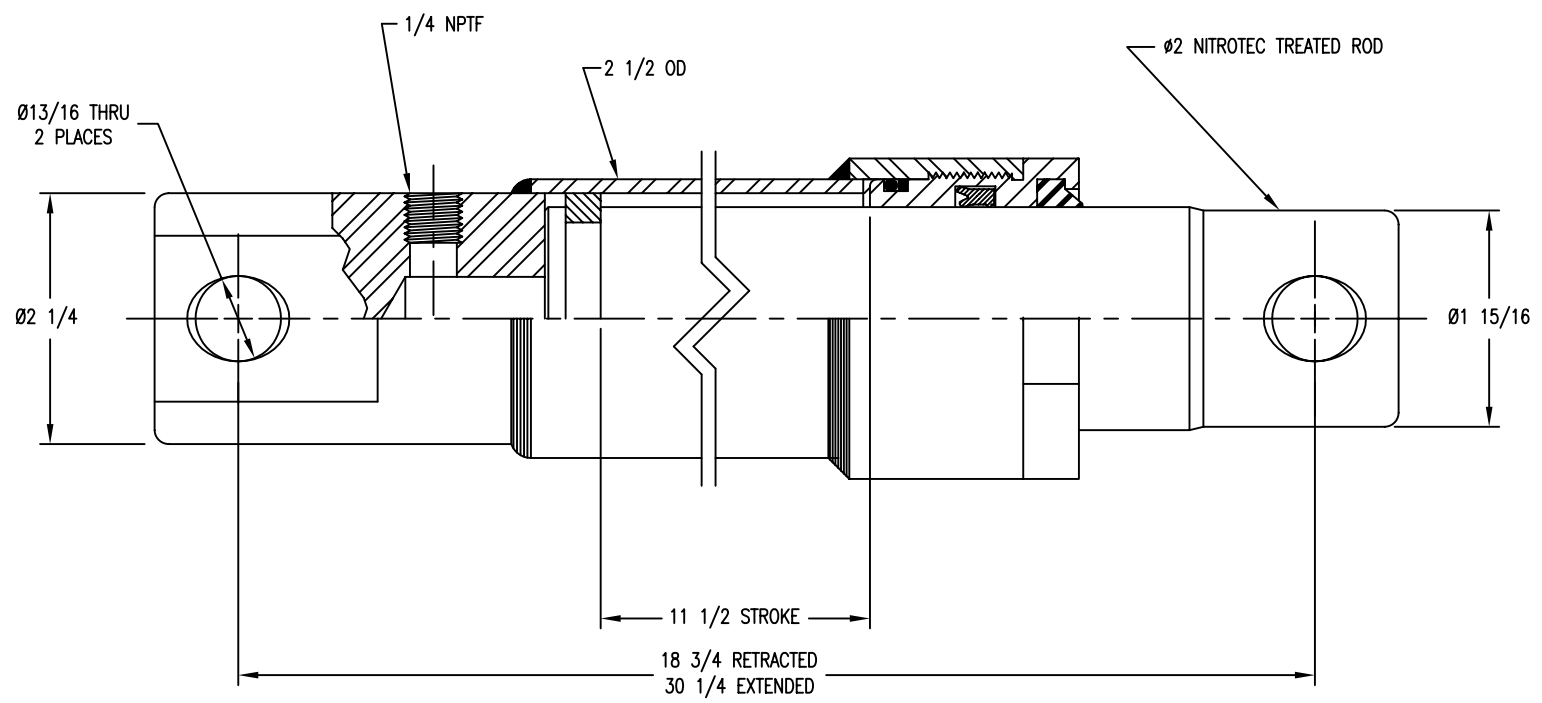
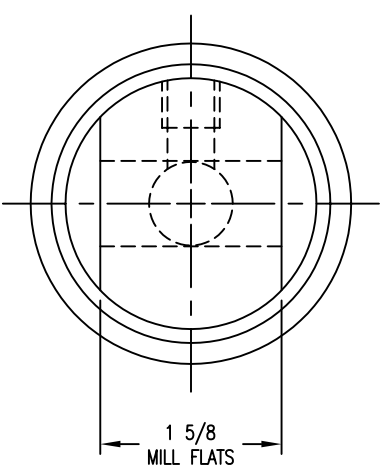
52873-NRS
 1 1/2" X 2" X 9" DOUBLE ACTING CYLINDER
 ANGLE CYLINDER - 'V' PLOW
 Used From 2008 - Current



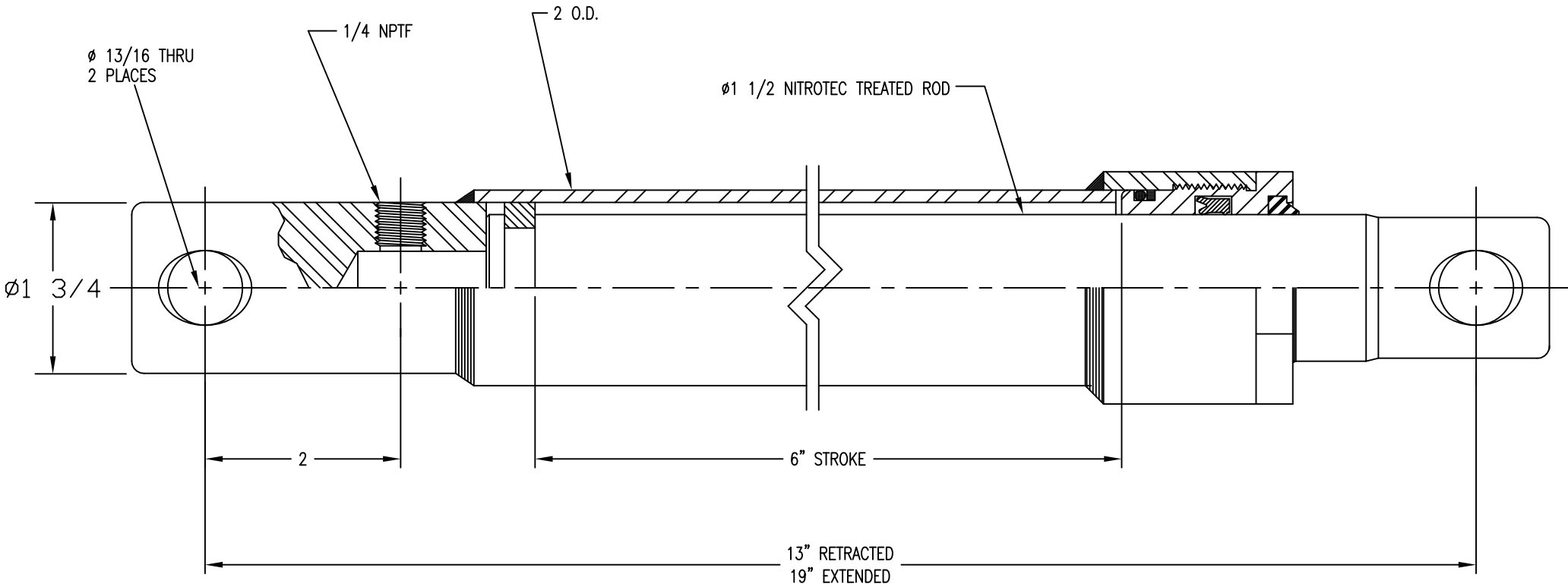
Replacement parts:
 52873-NRS-01 Seal Kit
 52873-NRS-02 Gland Nut



53026-NRS
2" x 11 1/12 SINGLE ACTING CYLINDER
ANGLING CYLINDER - 10' POLY BLADE
Used From 2008 - Current



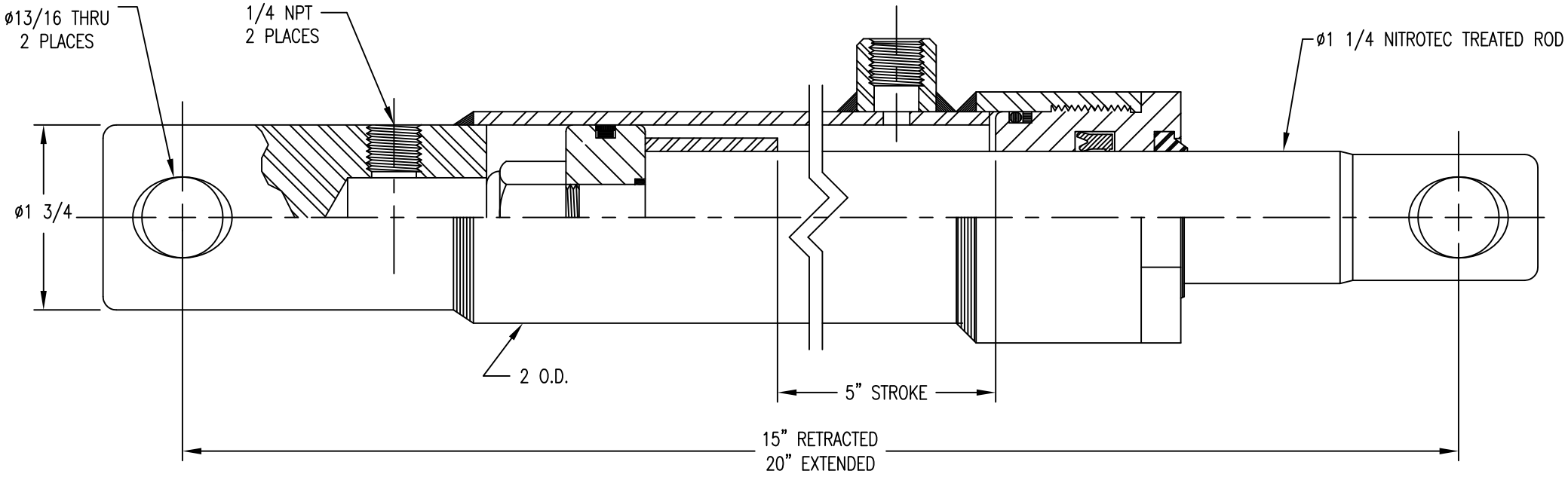
CS150-06.00-NRS
1 1/2" x 6" SINGLE ACTING CYLINDER
LIFT CYLINDER
Used From 2008 - Current



Replacement parts:

- CS150-NRS-01 Seal Kit
- CS150-NRS-02 Gland Nut

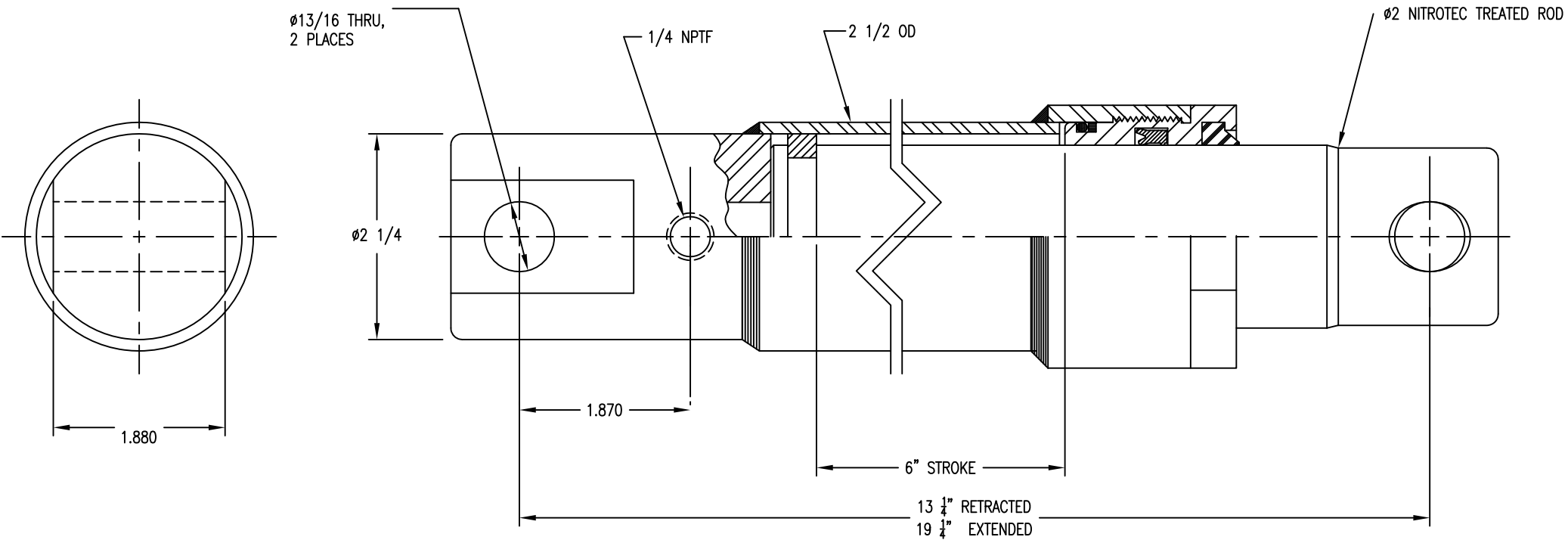
CD150-05.00-NRS
1 1/4" x 1 3/4" x 5" DOUBLE ACTING CYLINDER
LIFT CYLINDER (PLOW PARTNER)
Used From 2008 - Current



Replacement parts:

- CD150-NRS-01 Seal Kit
- CD150-NRS-02 Gland Nut

CS200-06.00-NRS
2" x 6 SINGLE ACTING CYLINDER
LIFT CYLINDER (TRIP EDGE, V PLOW, 10' BLADE)
Used from 2008 - Current



Replacement parts:

- CS200-NRS-01 Seal Kit
- CS200-NRS-02 Gland Nut