

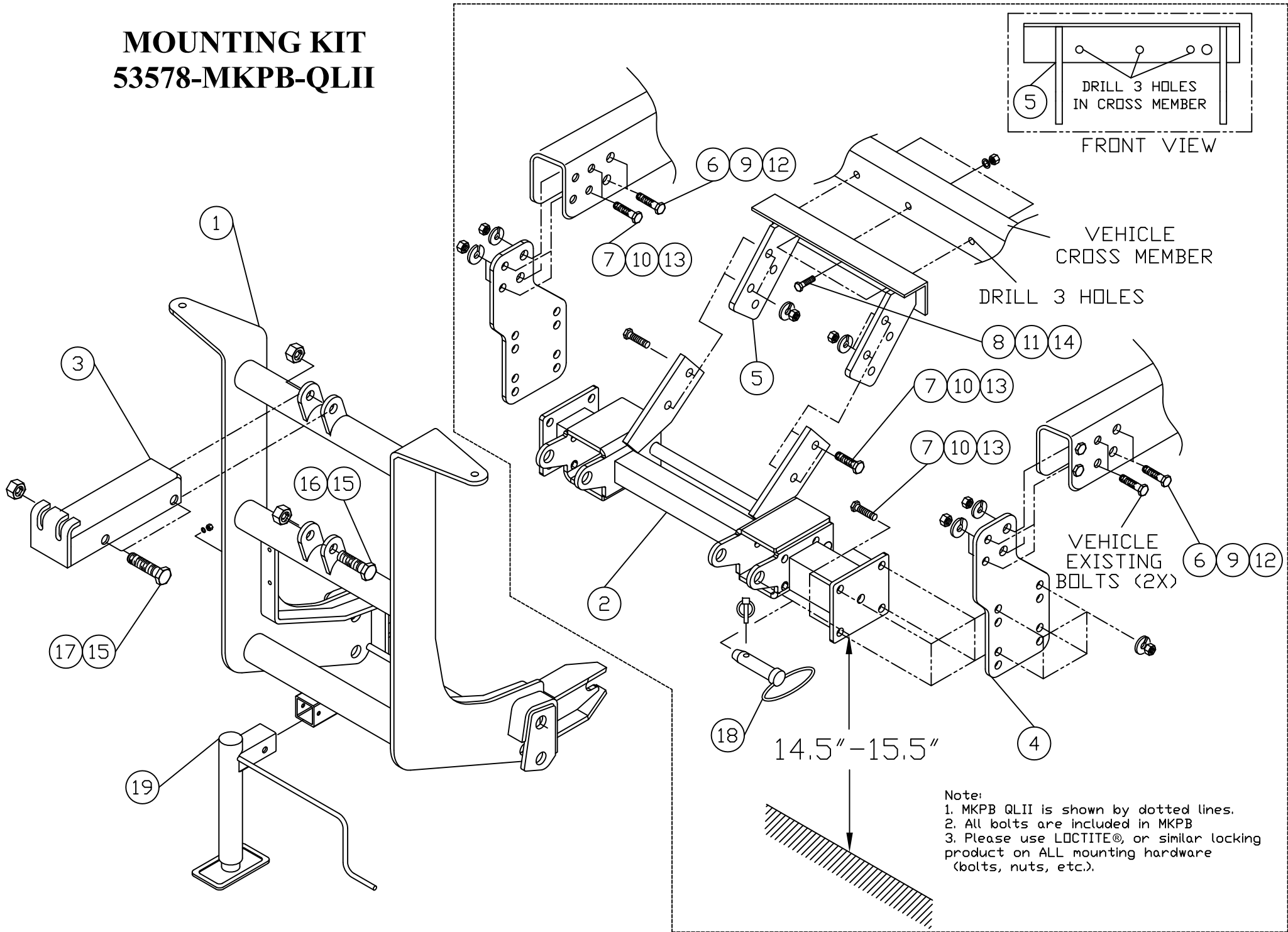
MOUNTING KIT

53578-MKPB QLII

Terra Star (4x4) (2014)

Note: For the snowplow lights this kit requires: 800037 (or 800037AXV) Light kit, and NO Adapter

MOUNTING KIT 53578-MKPB-QLII



Arctic Equipment Manufacturing Corporation
 Mounting kit 53578-MKPB

53578-MKPB R00

Mounting Kit 53578-MKPB QLII				
Item	Part #	Description	MKPB-QLII	QLII-HI-DLC
1	53171-D-GA	Lift Frame, QUIK*LINK ® II-Hi boy		1
2	53582-C	Spreader Bar Assembly	1	
3	52612-B-GA	Lift Channel (2" cylinder)		1
4	53589-M	Mounting Bracket	2	
5	53586-B	Thrust Arm	1	
6	HH-00972-147	¾" -16 x 2" Bolt	4	
7	HH-00972-130	5/8" - 18 x 2" Bolt	14	
8	HH-00972-090	½" - 20 x 1.5" Bolt	9	
9	HH-00460-007	¾" Nut	4	
10	HH-00460-001	5/8" Nut	14	
11	HH-00460-002	½" Nut	9	
12	HH-00457-008	¾" Lockwasher	4	
13	HH-00457-003	5/8" Lockwasher	14	
14	HH-00457-001	½" Lockwasher	9	
15	HH-00973-007	3/4" UNF Thin Collar Locknut	3	
16	HH-00972-153	3/4"x 3 ½" UNF Cap screw	1	
17	HH-00972-155	3/4" x 4" UNF Cap screw		2
18	52348-M	Mounting Pin Ass'y		2

Mounting Kit 53578-MKPB QLII				
Item	Part #	Description	MKPB-QLII	QLII-HI-DLC
19	52373-M	Jack Assembly		1
20*	50999-B	Blade guides		2
21*	HH-00341-002	1/4" Flat washer	4	
22*	HH-00294-001	1/4" Hex Nut	4	
23*	HH-00293-006	1/4"x1" UNC Cap screw	4	

QUIK*LINK is a trademark of Arctic Equipment Manufacturing Corporation

Note: * These items are not shown on the drawing.

GENERAL

Customer must be aware of following:

Arctic Equipment Manufacturing Corporation (Arctic) does not assume liability for damage to your motor vehicle resulting from the attachment or use of an Arctic snowplow. The purchaser assumes all vehicle risk associated with the attachment and operation of this snowplow.

The Arctic snowplow you purchase must be used only on vehicles equipped with the manufacturer's snow plow preparation package. Snow plowing without the original plow preparation package may damage your vehicle. The added weight may impair the operation and control of your vehicle. Snow plowing with a vehicle not recommended for that purpose by the manufacturer may void your new vehicle warranty. If your vehicle is not equipped with an original snow plow preparation package, additional equipment may be necessary before snow plowing. Please consult your vehicle and snowplow dealers prior to the purchase and installation of the snowplow. The installation of such parts however is not a full substitute for the original equipment snowplow preparation package.

Before drilling any holes in the firewall or frame, move brake lines, fuel lines and/or electrical wiring from the path of the drill. Brake and fuel lines must also be clear of any fasteners.

All bolts should be installed from the inside of the truck frame so that the lock washers and nuts are accessible for re-tightening (where is possible).

If a slotted hole in the truck frame is utilized, then a flat washer must be used under the bolt head. If a flat washer is used under a lock washer use LOCTITE #242. Also use this LOCTITE #242 if existing (vehicle) bolts and nuts are used.

General order of installation:



- install all components (mounting bracket, thrust arm and spreader bar) and all fasteners finger tight (snug) through existing holes,
- drill necessary holes and
- tighten all hardware.

After first use, re-tighten all mounting bolts, thereafter check mounting bolt tightness periodically and at the start of the season.

Before proceeding, read instructions carefully and familiarize yourself with the components and hardware.

INSTALLATION INSTRUCTIONS

1. Relocate a horn to the back of the cross member.
2. Install the mounting bracket (4) on the driver and passenger side. Secure brackets with 5/8" bolts (7)(10)(13) and 3/4" bolts (6)(9)(12), lockwashers and nuts.
3. Bolt the spreader bar assembly (2) to the mounting brackets (4) using 5/8" bolts (7)(10)(13), lockwasher and nut.
4. Attach thrust arm plates (5) to the spreaderbar assembly plates (2) using 5/8" bolts (7)(10)(13), lockwasher and nut.
5. Place angle plate of the thrust arm (5) against the cross member of the vehicle. Drill 1/2" holes in the crossmember using holes in the mounting angle as guide. Secure thrust arm (5) using 3 x 1/2" bolts (8)(11)(14), lockwashers and nuts.
6. Tighten all bolts.
7. Slide lift frame (1) inside of spreader bar assembly (2). Insert mounting pin (18) in the top holes of the spreader bar (2).
8. Install plow lamps so that the stud is through the top hole in the lift frame (1).
9. Tighten all light mounting hardware.
10. Fasten lift channel (3) to the lift frame (1) using 3/4" x 4" bolt (17) and 3/4" locknut (15). Attach the lift cylinder to the lift frame (1) using 3/4" x 3 1/2" bolts (16) and 3/4" locknut (15). Use 3/4" x 4" bolt (17) and 3/4" lock nut (15) to attach lift cylinder to lift channel. **NOTE: Do not over tighten as this assembly must be able to pivot.**
11. Return any unused items to the customer so that the vehicle can be returned to its original condition if the snowplow is removed.

TORQUE CHART (FT. L.B.)		
SIZE	GRADE 5 BOLT 	GRADE 8 BOLT 
1/4 - 28	8	11
5/16 - 24	15	22
3/8 - 24	28	40
7/16 - 20	44	63
1/2 - 20	69	97
5/8 - 18	138	195
3/4 - 16	241	341
<i>Note: Torque values are for plated bolts only</i>		

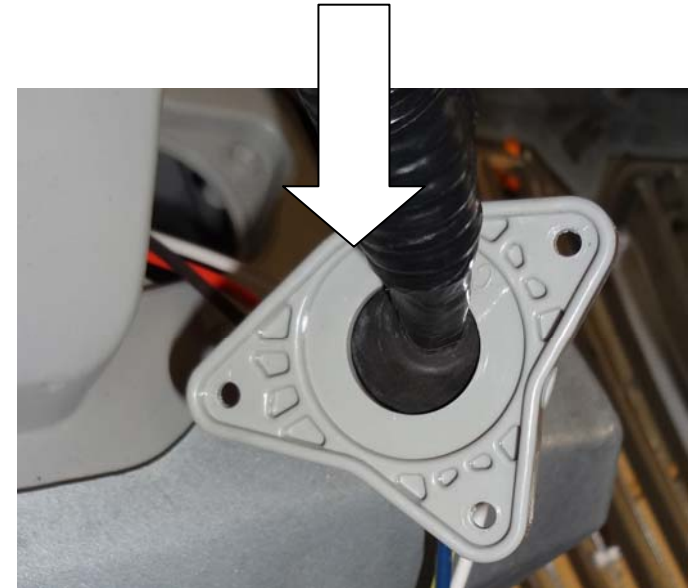
Light installation:



Picture#1



Picture #2



Picture #3

1. Install the underhood harness as shown on the drawing for harness installation.
2. Remove vehicle lights (Picture #1 and #2).
3. Notch the harness cover in order to put Arctic plow light harness in (Picture #3). Connect light connectors (plug), turn and park light wires.
4. Test the snow plow light and vehicle light.
5. Silicon “notched corner” and reinstall the vehicle lights back.