

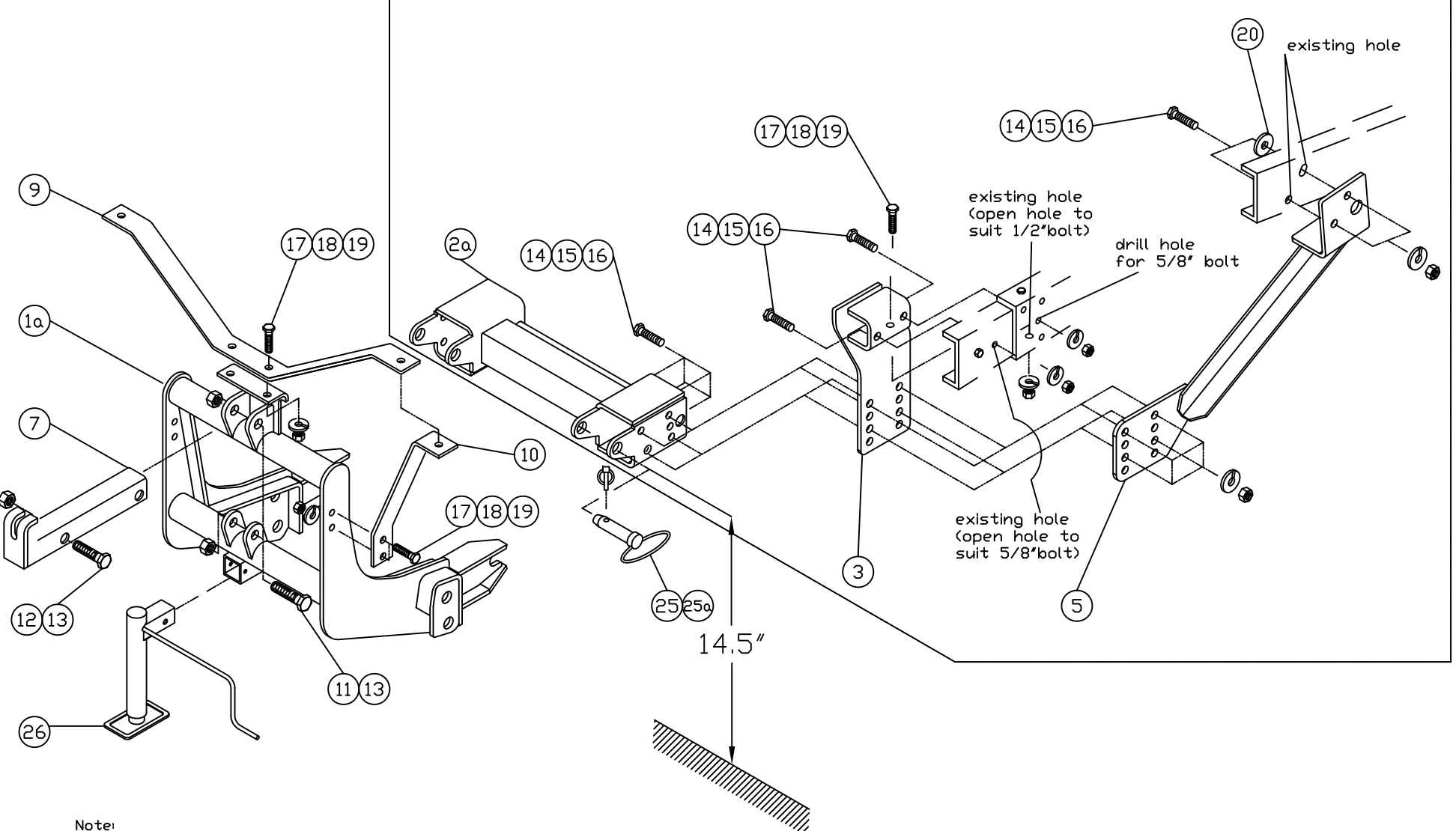
# **MOUNTING KIT**

## **53188-MKPB**

Ramcharger 4x4 1972-1993  
W1500 Ram 4x4 1972-1993  
W2500 Ram 4x4 1972-1993  
W3500 Ram SRW 4x4 1972-1993  
W3500 Ram DRW 4x4 1972-1993

Note: For the snowplow lights this kit requires: 800067 or 800037AXV Light kit, and Adapter kit is not required

# MOUNTING KIT 53188-MKPB-QLII



Note:  
 1. MKPB is shown by dotted lines.  
 2. All bolts are included in MKPB  
 3. Please use LOCTITE®, or similar locking product on ALL mounting hardware (bolts, nuts, etc.).

# Arctic Equipment Manufacturing Corporation

Mounting kit 53188-MKPB

53188-MKPB

INST0134 R03

Mounting Kit 53188-MKPB								
Item	Part #	Description	MKPB	MKPB-QLII	QL-MKB	QLII-MKB	QLII-HI	QLII-HI-DLC
1*	52162-C	Lift Frame			1			
1a	53170-D-GA	Lift Frame, QUIK*LINK ® II Galvanized				1		
1b*	53171-D-GA	Lift Frame, QUIK*LINK ® II-HI Galvanized					1	
2*	52166-C	Spreader Bar	1					
2a	52363-C	Spreader Bar QLII		1				
3	53189-01-C	Mounting Bracket DS		1				
4*	53189-02-C	Mounting Bracket CS		1				
5	53192-01-C	Thrust Arm DS		1				
6*	53192-02-C	Thrust Arm CS		1				
7	50069-C-GA	Lift Channel Galvanized						
8*	52612-B-GA	Lift Channel (2" cylinder) Galvanized					1	
9	52209-B-GA	Light Antler Galvanized			1			
10	52208-B-GA	Light Brace Galvanized			2			
11	HH-00972-153	3/4-16x3.1/2 Hex Head Cap Screw		2				
12	HH-00972-149	3/4-16x2.1/2 Hex Head Cap Screw		1				
13	HH-00973-007	3/4-16 Nylon Insert		3				

# Arctic Equipment Manufacturing Corporation

Mounting kit 53188-MKPB

53188-MKPB

INST0134 R03

Mounting Kit 53188-MKPB								
Item	Part #	Description	MKPB	MKPB-QLII	QL-MKB	QLII-MKB	QLII-HI	QLII-HI-DLC
14	HH-00972-130	5/8-18x 2 Hex Head Cap Screw		16				
15	HH-00457-003	5/8 Lock washer		16				
16	HH-00460-001	5/8-18 Hex Nut		16				
17	HH-00972-090	1/2-20x1.1/2 Hex Head Cap Screw		8				
18	HH-00457-001	1/2 Lock washer		8				
19	HH-00460-002	1/2-20 Hex Nut		8				
20	HH-00341-008	5/8" Flat washer		2				
21*	HH-00293-006	1/4" x 1" Cap screw		4				
22*	HH-00341-002	1/4" Flat washer		4				
23*	HH-00457-006	1/4" Lock washer		4				
24*	HH-00294-001	1/4" Hex nut		4				
25	WA-34704-M	Mounting Pin, QLI Ass'y			2			
25a	52348-M	Mounting Pin Ass'y					2	
26	52373-M	Jack Assembly					1	
27*	50999-B	Blade guides					2	
28*	HH-00972-155	3/4" x 4" UNF Cap screw						2

QUIK\*LINK is a trademark of Arctic Equipment Manufacturing Corporation

**Note:** \* These items are not shown on the drawing.

## **GENERAL INFORMATION**

### **Customer must be aware of following:**

Warranty for installation errors and omissions shall be the responsibility of the selling dealer and Arctic Equipment Manufacturing Corporation will not be responsible for any damage caused by improper installation by others.

Arctic Equipment Manufacturing Corporation (Arctic) does not assume liability for damage to your motor vehicle resulting from the attachment or use of an Arctic snowplow. The purchaser assumes all vehicle risk associated with the attachment and operation of this snowplow.

The Arctic snowplow you purchase must be used only on vehicles equipped with the manufacturer's snow plow preparation package. Snow plowing without the original plow preparation package may damage your vehicle. The added weight may impair the operation and control of your vehicle. Snow plowing with a vehicle not recommended for that purpose by the manufacturer may void your new vehicle warranty. If your vehicle is not equipped with an original snow plow preparation package, additional equipment may be necessary before snow plowing. Please consult your vehicle and snowplow dealers prior to the purchase and installation of the snowplow. The installation of such parts however is not a full substitute for the original equipment snowplow preparation package.

Before drilling any holes in the firewall or frame, move brake lines, fuel lines and/or electrical wiring from the path of the drill. Brake and fuel lines must also be clear of any fasteners.

All bolts should be installed from the inside of the truck frame so that the lock washers and nuts are accessible for re-tightening.

If a slotted hole in the truck frame is utilized, then a flat washer must be used under the bolt head. If a flat washer is used under a lock washer use LOCTITE #242. Also use this LOCTITE #242 if existing (vehicle) bolts and nuts are used.

Do not tighten any bolt assemblies until all fasteners and components are installed, unless otherwise specified.

**After first use, re-tighten all mounting bolts**, thereafter check mounting bolt tightness periodically.

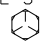
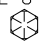
For easier installation, grind **ONLY** the paint out of the top holes of the spreader bar and the top hole of the lift frame, where the mounting pins will go.

Before proceeding, read instructions carefully and familiarize yourself with the components and hardware.

### **INSTALLATION INSTRUCTIONS**

1. Remove the bumper. Do not remove bumper bracket.
2. Remove four 7/16" bolts on the side of the truck frame (bolts hold bumper mounting bracket) and one 7/16" bolt that goes through the bottom of the frame (see drawing).
3. Open front hole (7/16") on the side of the truck frame to 21/32" dia to insert 5/8" bolt. Also open the hole on the bottom of the vehicle frame to 17/32" to insert 1/2" bolt. Install mounting bracket (3)(4) using 5/8" x 2" bolt (14), 5/8" lock washer (15) and 5/8" nut (16) and 1/2" x 1.5" bolt (17), 1/2" lock washer (18) and 1/2" nut (19). Using 11/16" hole in the mounting bracket (3) (4) as guide drill 21/32" hole through the side of the vehicle frame. Insert 5/8" x 2" bolt (14), 5/8" lock washer (15) and 5/8" nut (16). Finger tighten the bolts.
4. Install spreader bar (2a) using four 5/8" x 2" (14) bolts to the mounting bracket (3) (4).
5. Install the top of the thrust arm(5)(6) against the vehicle frame using 5/8" x 2" bolt (14), 5/8" lock washer (15) , 5/8" nut (16) and 5/8" flat washer (20) (on the slotted hole in the frame) and bottom of the thrust arm to the mounting bracket (3)(4) and spreader bar (2a) using 5/8" x 2" bolt (14), 5/8" lock washer (15) and 5/8" nut (16).
6. Torque all fasteners according to torque chart. Reinstall bumper.

7. Install lift frame (1a) (1b). Slide inside of spreader bar (2a). Insert mounting pin (25a) in the top holes of the spreader bar (2a).
8. Install light antler (9) and light braces (10) using 1/2" x 1.5" bolts (14), 1/2" lock washers (15) and 1/2" hex nuts (16). Install lights so that the light mounting stud goes through both antler (9) and the brace (10). Tighten all light mounting hardware.
9. Install lift channel (7)(8) and front mount pump (from hydraulic kit) or hydraulic cylinder to lift frame (1a)(1b) using 3/4" x 3 1/2" bolts (11) and 3/4" locknuts (13). Use 3/4" x 2 1/2" bolts (12) and 3/4" locknuts (13) to attach lift channel (7) to front mount pump or hydraulic cylinder. Do not over tighten this assembly as it must be able to pivot.

TORQUE CHART (FT. LB.)		
SIZE	GRADE 5 BOLT 	GRADE 8 BOLT 
1/4" - 28	8	11
5/16" - 24	15	22
3/8" - 24	28	40
7/16" - 20	44	63
1/2" - 20	69	97
5/8" - 18	138	195
3/4" - 16	241	341
<i>Note:</i> Torque values are for plated bolts only		

10. Use 1/4"x 1" bolt (21), 1/4" flat washer (22), 1/4" lock washer (23) and 1/4" hex nut (24) to fasten blade guides to plow.
11. Return any unused items to the customer so that the vehicle can be returned to its original condition if the snowplow is removed.
12. See separate installation instructions for the hydraulic power unit, wiring and controls.