

ONLY FOR F450

30 12 14

# MOUNTING KIT 52942-M

ONLY FOR F450

27

25 11 15

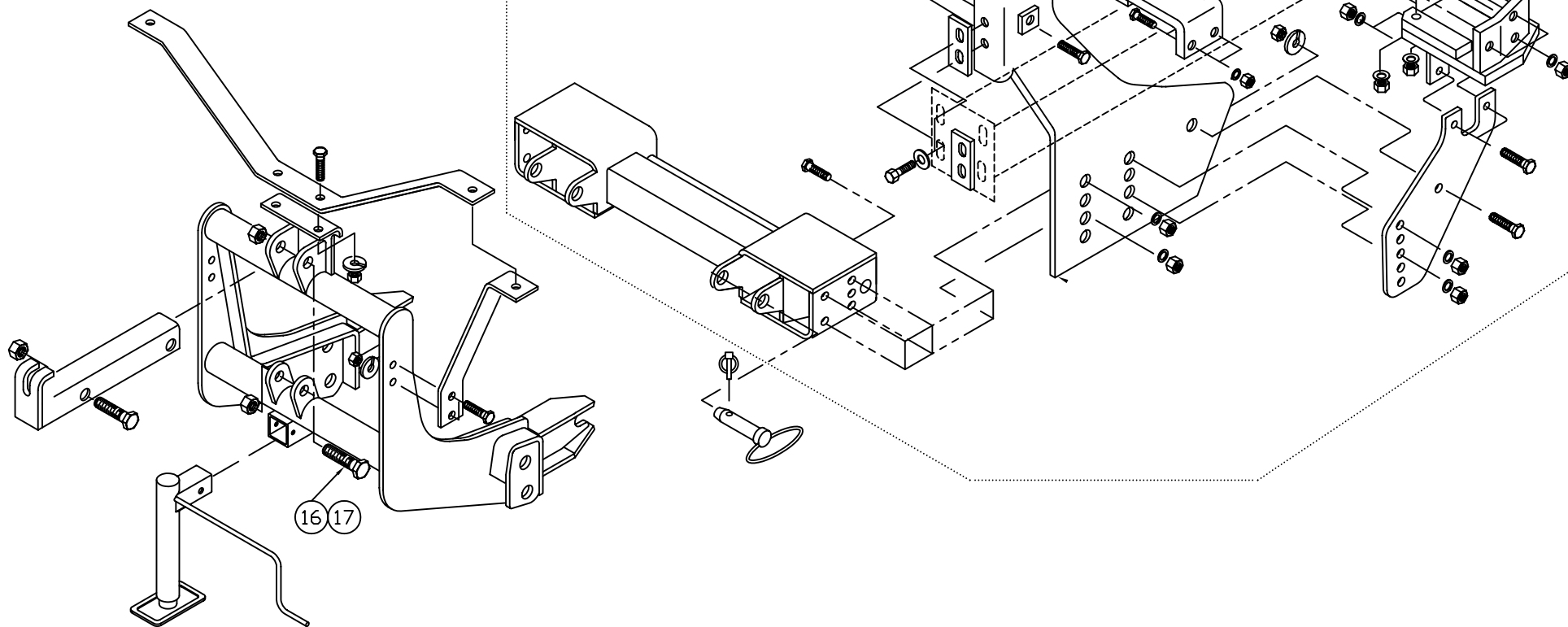
28

ONLY FOR F450

29 12 14

10 11 15

16 17



Adapter Kit 52942-M required for F450 Super Duty								
Item	Part #	Description	MKPB	MKPB-QLII	QL-MKB	QLII-MKB	QLII-HI-MKB	QLII-HI-MKB-TE
12	HH-00457-003	5/8" Lockwasher		2				
14	HH-00460-001	5/8" UNF Hexnut		2				
27	52516-04-B	Support Angle, Curb Side		1				
28	52515-03-A	Support Angle, Driver Side		1				
29	52575-03-A	5/8" x 1.1/2" Capscrew c/w Welded Handle 14"		1				
30	52575-01-A	5/8" x 1.1/2" Capscrew c/w Welded Handle 6"		1				

INSTALLATION INSTRUCTIONS FOR 52942-M

1. Follow instruction from installation sheet 53061-MKPB.
2. For thrust arm installation, install support angle (27)(28) on inside of the vehicle frame, using 5/8" welded bolt (29)(30), 5/8" nut (14) and 5/8" lockwasher (12).

3. Install thrust arms between springs and bottom of frame rail from outside of frame by feeding the bottom of the thrust arm through first. The chassis may have to be raised slightly to permit installation. Secure thrust arm to support angle (27)(28) using  $\frac{1}{2}$ " x 1.3/4" bolts (25), lockwashers (11) and hexnuts (15).
4. Continue installation using 53061-MKPB