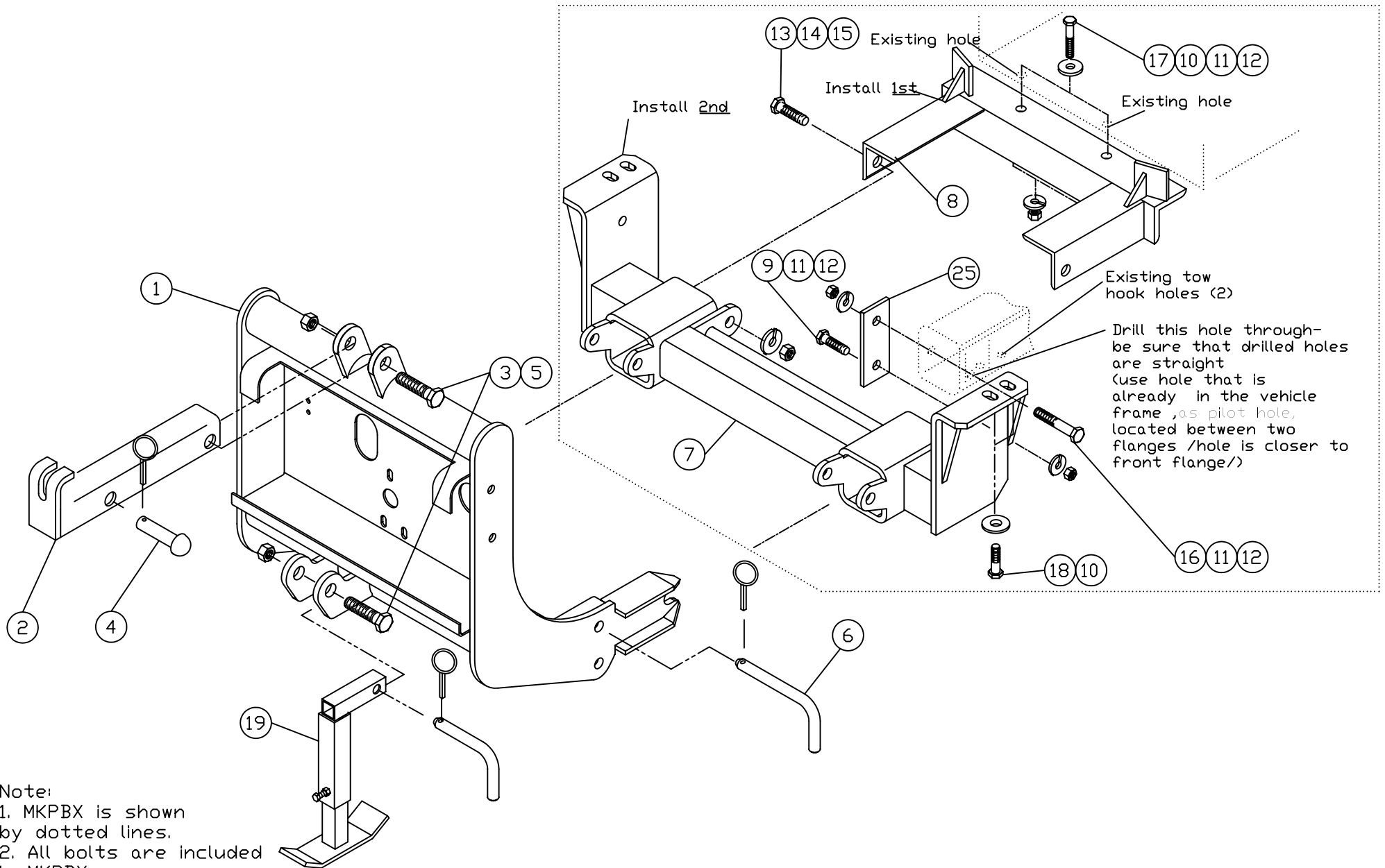


MOUNTING KIT

Tacoma (4x4) (2002 - 2004)

52726-MKPBX

MOUNTING KIT 52726 -MKPBX



Note:
 1. MKPBX is shown by dotted lines.
 2. All bolts are included in MKPBX.

Arctic Equipment Manufacturing Corporation

Mounting kit 52726-MKPBX

52726-MKPBX R07

INST0047

Mounting Kit 52726-MKPBX				
Item	Part #	Description	MKPBX	X-MKB
1	52638-D	Lift Frame		1
2	50069-C	Lift Channel		1
3	HH-00972-153	3/4"x3 1/2" UNF Cap screw	2	
4	52757-M	Rivet Ass'y (rivet & lynch pin)		1
5	HH-00973-007	3/4" UNF Thin Collar Locknut	2	
6	1302045	Pin assembly		2
7	52727-D	Mounting Bracket	1	
8	52731-C	Thrust Arm	1	
9	HH-00972-090	1/2" x 1 1/2" UNF Cap Screw	2	
10	HH-00341-006	1/2" Flat washer	6	
11	HH-00457-001	1/2" Lock washer	6	
12	HH-00460-002	1/2" Hex Nut	6	
13	HH-00972-129	5/8" x 1 3/4" UNF Cap Screw	2	
14	HH-00457-003	5/8" Lock washer	2	
15	HH-00460-001	5/8" Hex Nut	2	
16	HH-00972-098	1/2" x 3 1/2" UNF Cap Screw	2	
17	HH-00972-100	1/2" x 4" UNF Cap Screw	2	

Arctic Equipment Manufacturing Corporation

Mounting kit 52726-MKPBX

52726-MKPBX R07

INST0047

Mounting Kit 52726-MKPBX				
Item	Part #	Description	MKPBX	X-MKB
18	HH-00931-055	M12x 1.25 x 35 mm Capscrew	4	
19	52671-M	Jack Assembly (with lynch pin)		1
20*	HH-00293-006	1/4"x1" UNC Capscrew	4	
21*	HH-00294-001	1/4" Hex Nut	4	
22*	HH-00457-006	1/4" Lockwasher	4	
23*	50999-B	Blade Guides		2
24*	52660-M	Mounting Pin Assembly (with cotter pin)		1
25	52736-A	Mounting Plate	2	

Note: * These items are not shown on the drawing.

GENERAL

Customer must be aware of following:

Arctic Equipment Manufacturing Corporation (Arctic) does not assume liability for damage to your motor vehicle resulting from the attachment or use of an Arctic snowplow. The purchaser assumes all vehicle risk associated with the attachment and operation of this snowplow.

The Arctic snowplow you purchase must be used only on vehicles equipped with the manufacturer's snow plow preparation package. Snow plowing without the original plow preparation package may damage your vehicle. The added weight may impair the operation and control of your vehicle. Snow plowing with a vehicle not recommended for that purpose by the manufacturer may void your new vehicle warranty. If your vehicle is not equipped with an original snow plow preparation

package, additional equipment may be necessary before snow plowing. Please consult your vehicle and snowplow dealers prior to the purchase and installation of the snowplow. The installation of such parts however is not a full substitute for the original equipment snowplow preparation package.

Before drilling any holes in the firewall or frame, move brake lines, fuel lines and/or electrical wiring from the path of the drill. Brake and fuel lines must also be clear of any fasteners.

All bolts should be installed from the inside of the truck frame so that the lockwashers and nuts are accessible for retightening (where it is possible).

If a slotted hole in the truck frame is utilized, then a flat washer must be used under the bolt head. If a flat washer is used under a lock washer use LOCTITE #242. Also use LOCTITE #242 if existing (vehicle) bolts and nuts are used.

General order of installation:

- install all components (mounting bracket, thrust arms) and all fasteners finger tight (snug) through existing holes,
- drill necessary holes and
- tighten all hardware.



After first use, re-tighten all mounting bolts, thereafter check mounting bolt tightness periodically and at the start of the season.

For easier installation, grind only the paint out of the top holes of the mounting bracket and the top hole of the lift frame, where the mounting pins will go.

Before proceeding, read instructions carefully and familiarize yourself with the components and hardware.

INSTALLATION INSTRUCTIONS

1. Do not remove bumper, but remove splash guard and tow hooks.
2. Install thrust arm (8) using two ½" x 4" (17) bolts, ½" flatwasher (10), ½" lockwasher (11) and ½" nut (12). Be sure that thrust arm (8) is tight against cross member.
3. Drill 17/32" hole through the vehicle frame (see drawing for position of the hole). Be sure that both drilled holes in the vehicle frame are straight because it may happen that mounting plate (25) will not fit properly.
Install mounting bracket (7) using existing holes (tow hook was attached to the vehicle frame using these two holes). Use M12 x 35 mm bolts (18) with flatwasher (10) to secure this mounting bracket. LOCTITE #242 is to be applied on these two bolts.
Install mounting plate (25) using ½" x 3 ½" bolt (16), ½" lock washer (11) & ½" nut (12) to the vehicle frame and using ½" x 1 1/2" (9) bolt, ½" lock washer (11) & ½" nut (12) to the mounting bracket (7).
4. Attach mounting bracket (7) to thrust arm (8) using 5/8" bolt (13), 5/8" lock washer (14) and 5/8" nut (15).
5. Torque all fasteners according to torque chart.
6. Install lift frame (1). Slide lift frame (1) inside of mounting bracket (7). Insert mounting pin (6) in top holes of the mounting bracket (7).
7. Fasten lift channel (2) and lift cylinder to the lift frame (1) using 3/4"x3 1/2" bolts (3) and 3/4" locknut (5). Use 3/4" rivet and lynch pin to attach lift cylinder (lift cylinder needs to be installed after power unit is installed). NOTE: Do not over tighten as this assembly must be able to pivot.
8. Torque all fasteners according to torque chart.
9. Use 1/4"x1" bolt (20), 1/4" lockwasher (22) and 1/4" hex nut (21) to fasten blade guides (23) to plow.
10. Return any unused items to the customer so that the vehicle can be returned to its original condition if the snowplow is removed.
11. See separate installation instructions for the hydraulic pump, wiring and controls.

TORQUE CHART (FT. LB.)		
SIZE	GRADE 5 BOLT 	GRADE 8 BOLT 
$\frac{1}{4}$ - 28	8	11
$\frac{5}{16}$ - 24	15	22
$\frac{3}{8}$ - 24	28	40
$\frac{7}{16}$ - 20	44	63
$\frac{1}{2}$ - 20	69	97
$\frac{5}{8}$ - 18	138	195
$\frac{3}{4}$ - 16	241	341
<u>Note:</u> Torque values are for plated bolts only		