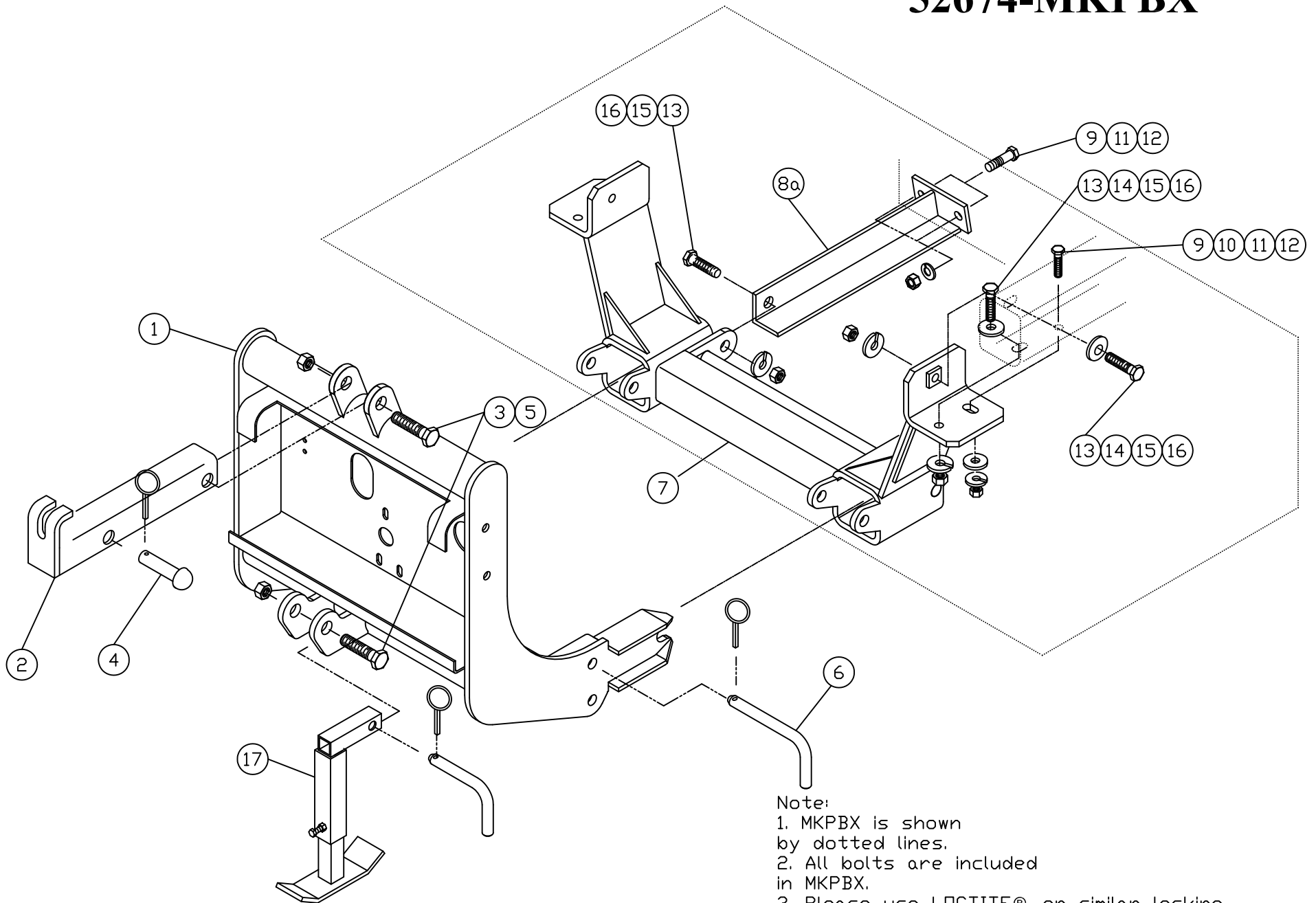


# **MOUNTING KIT**

## **52674-MKPBX**

**Ford Ranger (4x4) (1998 -2011), Ford Explorer (4x4) (1995 -01)**  
**Mazda B4000, B3000 (4x4)(1998 -06)**

# MOUNTING KIT 52674-MKPBX



**Note:**

1. MKPBX is shown by dotted lines.
2. All bolts are included in MKPBX.
3. Please use LOCTITE®, or similar locking product on ALL mounting hardware (bolts, nuts, etc.).

Mounting Kit 52674-MKPBX				
Item	Part #	Description	MKPBX	X-MKB
1	52638-D-GA	Lift Frame Galvanized		1
2	50069-C-GA	Lift Channel Galvanized		1
3	HH-00972-153	3/4"x3 1/2" UNF Cap screw	2	
4	52757-M	Rivet Ass'y (rivet & lynch pin)		1
5	HH-00973-007	3/4" UNF Thin Collar Locknut	2	
6	1302045	Pin assembly		2
7	52675-D	Mounting Bracket	1	
8*	52681-01-B	Thrust Arm Driver Side	1	
8a	52681-02-B	Thrust Arm Curb Side	1	
9	HH-00972-090	1/2" x 1 1/2" UNF Cap Screw	6	
10	HH-00341-006	1/2" Flat washer	2	
11	HH-00457-001	1/2" Lock washer	6	
12	HH-00460-002	1/2" Hex Nut	6	
13	HH-00972-129	5/8" x 1 3/4" UNF Cap Screw	6	
14	HH-00341-008	5/8" Flat washer	4	
15	HH-00457-003	5/8" Lock washer	6	
16	HH-00460-001	5/8" Hex Nut	6	
17	52671-M	Jack Assembly (with lynch pin)		1

**Arctic Equipment Manufacturing Corporation**

Mounting kit 52674-MKPBX

52674-MKPBX R11

INST0036

Mounting Kit 52674-MKPBX				
Item	Part #	Description	MKPBX	X-MKB
18*	HH-00293-006	1/4"x1" UNC Cap screw	4	
19*	HH-00294-001	1/4" Hex Nut	4	
20*	HH-00457-006	1/4" Lock washer	4	
21*	50999-B	Blade Guides		2

**Note:** \* These items are not shown on the drawing.

## GENERAL

### **Customer must be aware of following:**

Arctic Equipment Manufacturing Corporation (Arctic) does not assume liability for damage to your motor vehicle resulting from the attachment or use of an Arctic snowplow. The purchaser assumes all vehicle risk associated with the attachment and operation of this snowplow.

The Arctic snowplow you purchase must be used only on vehicles equipped with the manufacturer's snow plow preparation package. Snow plowing without the original plow preparation package may damage your vehicle. The added weight may impair the operation and control of your vehicle. Snow plowing with a vehicle not recommended for that purpose by the manufacturer may void your new vehicle warranty. If your vehicle is not equipped with an original snow plow preparation package, additional equipment may be necessary before snow plowing. Please consult your vehicle and snowplow dealers prior to the purchase and installation of the snowplow. The installation of such parts however is not a full substitute for the original equipment snowplow preparation package.

Before drilling any holes in the firewall or frame, move brake lines, fuel lines and/or electrical wiring from the path of the drill. Brake and fuel lines must also be clear of any fasteners.

All bolts should be installed from the inside of the truck frame so that the lock washers and nuts are accessible for re-tightening (where possible).

Do not use flat washer under lock washer. If a slotted hole in the truck frame is utilized, then a flat washer must be used under the bolt head. If a flat washer is used under a lock washer use LOCTITE #242. Also use LOCTITE #242 if existing (vehicle) bolts and nuts are used.

General order of installation:

- install all components (mounting bracket, thrust arms) and all fasteners finger tight (snug) through existing holes,
- drill necessary holes and
- tighten all hardware.



**After first use, re-tighten all mounting bolts**, thereafter check mounting bolt tightness periodically and at the start of the season.

Before proceeding, read instructions carefully and familiarize yourself with the components and hardware.

## INSTALLATION INSTRUCTIONS

1. Remove bumper from truck. Remove plastic radiator cover.
2. Open front hole that holds plastic radiator cover using 17/32" drill, on each side of frame.
3. Fasten mounting bracket (7) to the vehicle frame using 1/2" x 1 1/2" bolt (9), 1/2" flat washer (10), 1/2" lock washer (11) and 1/2" nut (12) (apply LOCTITE #242 on the 1/2" bolt) and 5/8" x 1 3/4" bolt (13), 5/8" flat washer (14), 5/8" lock washer (15) and 5/8" nut (16). Through the side of the vehicle frame insert 5/8" x 1 3/4" bolt (13) & 5/8" flat washer (14) and install 5/8" lock washer (15) and 5/8" nut (16). Finger tighten all fasteners so that the mounting bracket is snug up against the truck frame.
4. Attach thrust arm (8)(8a) (see drawing for correct orientation) to mounting lug on the back of the mounting bracket using 5/8" x 1 3/4" bolt (13), 5/8" lock washer (15) and 5/8" nut (16). Drill two 17/32" holes in the cross member using the holes in the thrust arm (8)(8a) as a guide. Fasten thrust arm (8)(8a) to cross member using 1/2" x 1 1/2" bolt (9), 1/2" lock washer (11) and 1/2" nut (12).
5. Torque all fasteners using torque chart.
6. Reinstall bumper.
7. Install lift frame (1). Slide inside of mounting bracket (7). Insert mounting pin (6) in top holes of the mounting bracket (7).
8. Fasten lift channel (2) and lift cylinder to the lift frame (1) using 3/4"x3 1/2" bolts (3) and 3/4" locknut (5). Use 3/4" rivet and lynch pin to attach lift cylinder (lift cylinder needs to be installed after power unit is installed). NOTE: Do not over tighten as this assembly must be able to pivot.
9. Torque all fasteners according to torque chart.
10. Use 1/4"x1" bolt (18), 1/4" lock washer (19) and 1/4" hex nut (20) to fasten blade guides to plow.

11. Return any unused items to the customer so that the vehicle can be returned to its original condition if the snowplow is removed.
12. See separate installation instructions for the hydraulic pump, wiring and controls.

TORQUE CHART (FT. LB.)		
SIZE	GRADE 5 BOLT 	GRADE 8 BOLT 
$\frac{1}{4}$ - 28	8	11
$\frac{5}{16}$ - 24	15	22
$\frac{3}{8}$ - 24	28	40
$\frac{7}{16}$ - 20	44	63
$\frac{1}{2}$ - 20	69	97
$\frac{5}{8}$ - 18	138	195
$\frac{3}{4}$ - 16	241	341
<u>Note:</u> Torque values are for plated bolts only		