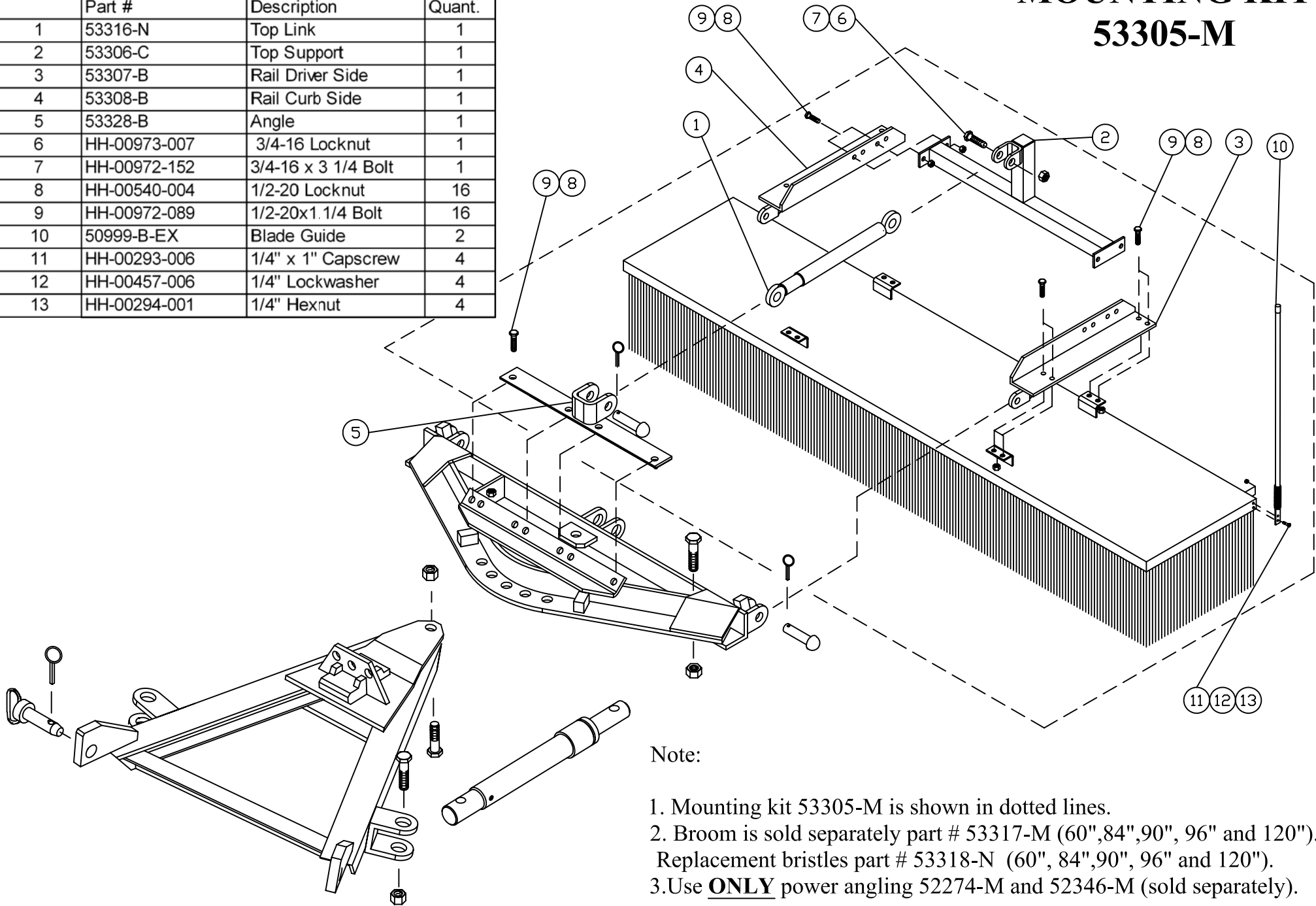


53305-M Broomer Kit			
	Part #	Description	Quant.
1	53316-N	Top Link	1
2	53306-C	Top Support	1
3	53307-B	Rail Driver Side	1
4	53308-B	Rail Curb Side	1
5	53328-B	Angle	1
6	HH-00973-007	3/4-16 Locknut	1
7	HH-00972-152	3/4-16 x 3 1/4 Bolt	1
8	HH-00540-004	1/2-20 Locknut	16
9	HH-00972-089	1/2-20x1 1/4 Bolt	16
10	50999-B-EX	Blade Guide	2
11	HH-00293-006	1/4" x 1" Capscrew	4
12	HH-00457-006	1/4" Lockwasher	4
13	HH-00294-001	1/4" Hexnut	4

MOUNTING KIT 53305-M



Note:

1. Mounting kit 53305-M is shown in dotted lines.
2. Broom is sold separately part # 53317-M (60", 84", 90", 96" and 120").
Replacement bristles part # 53318-N (60", 84", 90", 96" and 120").
3. Use **ONLY** power angling 52274-M and 52346-M (sold separately).

SWEEPING YOUR RUBBLE AWAY.

If you have a parking lot full of gravel, a driveway full of leaves or a side road covered with dirt, the **Power Angled Broomer®** makes cleaning up a snap.

THE BROOMER MOUNTING KIT

can be adapted to almost all makes of light and heavy duty truck plows, and some construction equipment, skid steers, and tractors

THE BROOM UNIVERSAL ADAPTER

utilizes the existing power angling system, giving raise, lower, and power angling to either side

MANUFACTURED FROM HEAVY GAUGE STEEL

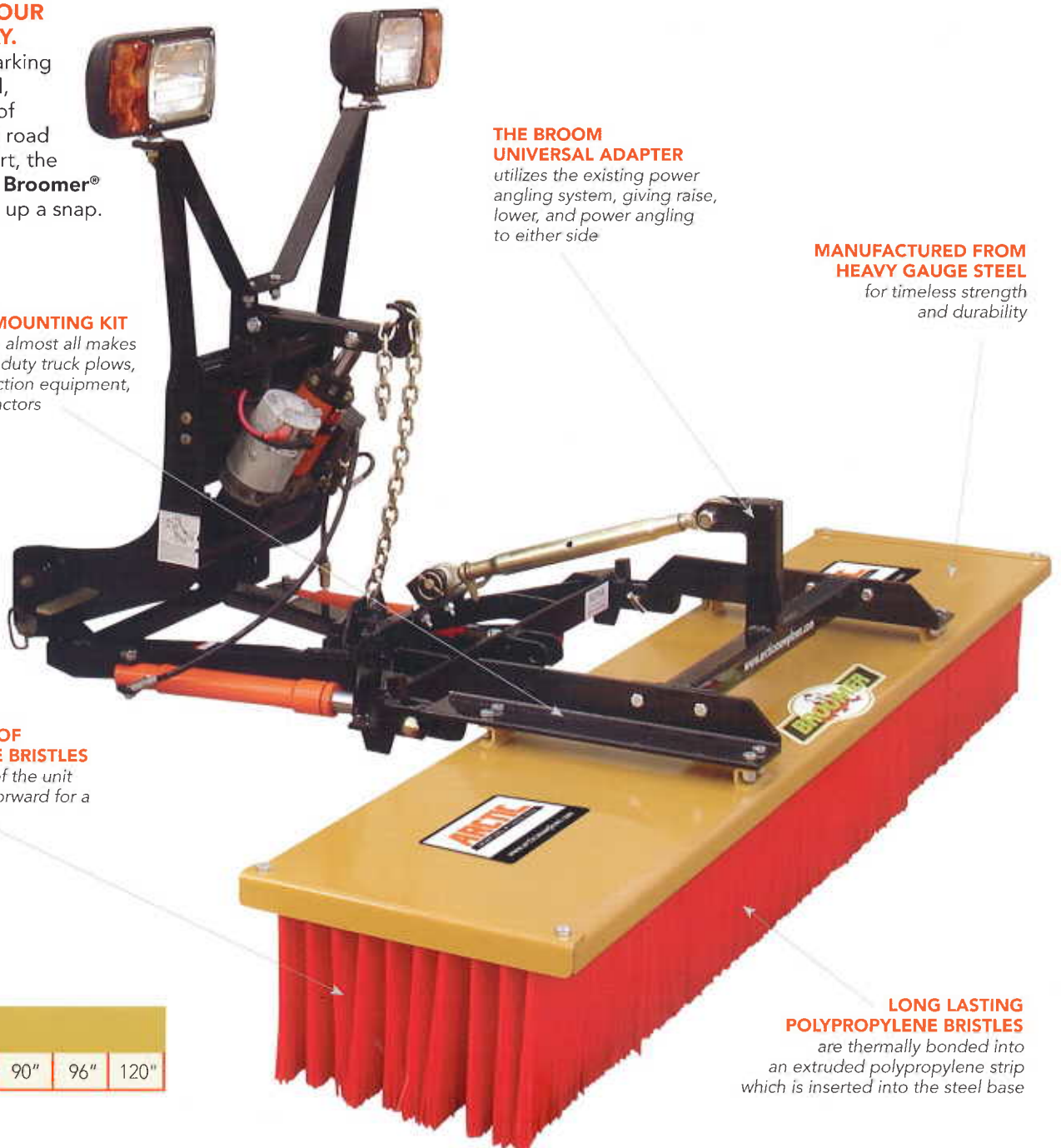
for timeless strength and durability

TEN SEGMENTS OF POLYPROPYLENE BRISTLES

run the full width of the unit pushing material forward for a clean sweep

LONG LASTING POLYPROPYLENE BRISTLES

are thermally bonded into an extruded polypropylene strip which is inserted into the steel base



ARCTIC BROOMER®

Length	60"	84"	90"	96"	120"

LEGAL DISCLAIMER: Vehicles intended to be equipped with Arctic equipment must comply with the vehicle manufacturers' specifications for equipment application. Please consult your vehicle dealer before purchase and installation. The purchaser assumes all vehicle risk associated with the attachment and operation of Arctic equipment.

TOUGHER THAN A CANADIAN WINTER

Arctic Equipment
Manufacturing Corporation
Toll Free 888 413 0019
www.arcticsnowplows.com

