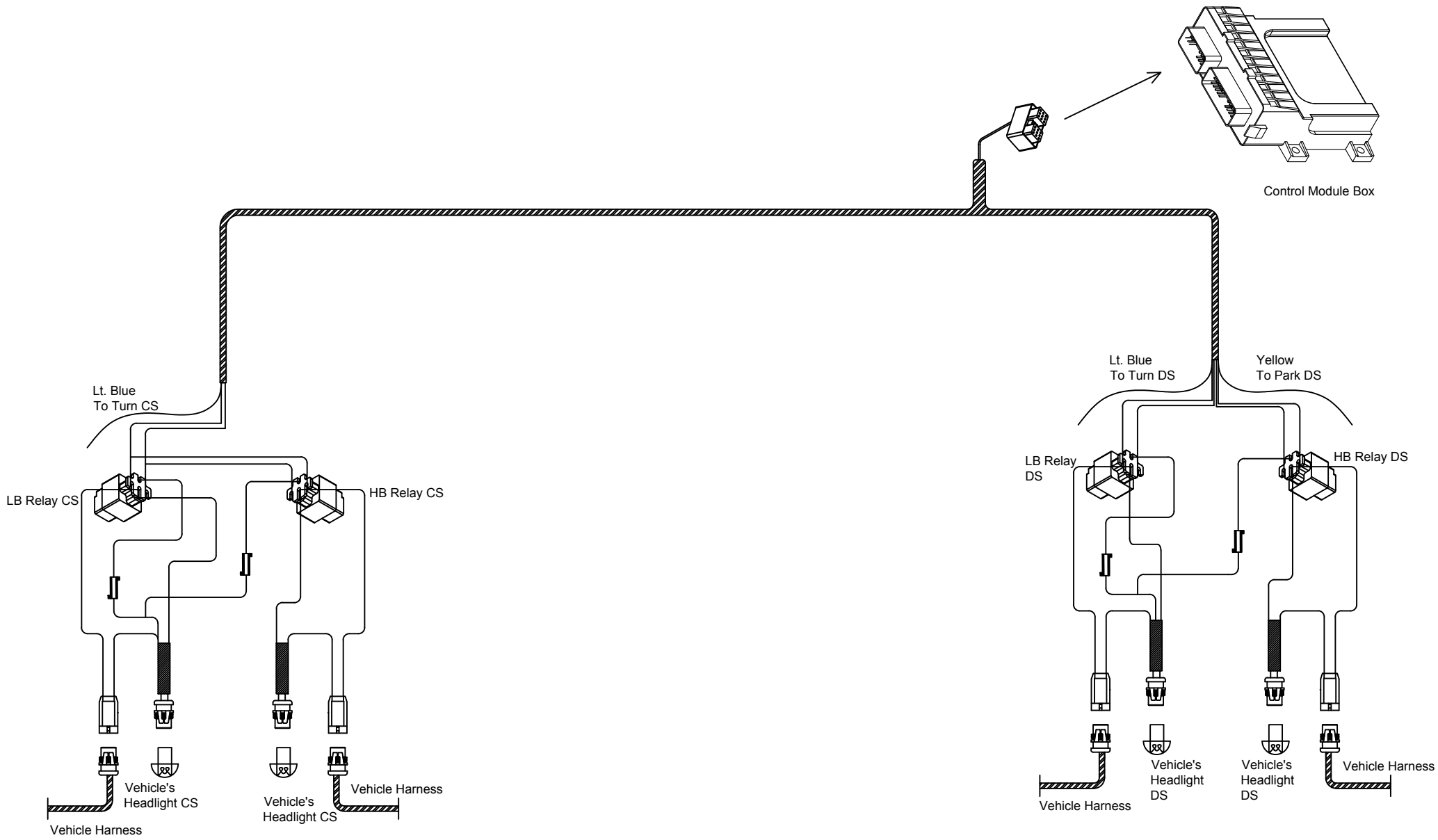


## 800105-MPX-1

Light adapter harness Installation Instructions  
HB3/ HIR2 bulb  
(module installed under the vehicle's hood)

Dodge RAM 1500 (2013-2018)





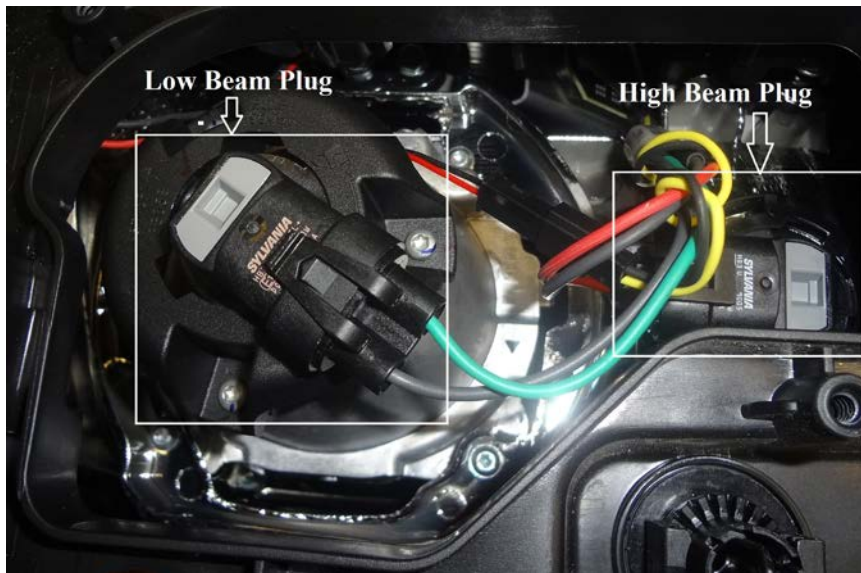
LEGEND

- DS - Driver Side
- CS - Curb Side
- HB - High Beam
- LB - Low Beam

**Installation instruction:****Warning:**

- Top of battery needs to be protected. If positive side of battery is accidentally grounded person could be burnt or wiring system can be damaged, or battery gases could explode causing injuries.
- Disconnect cable from negative battery terminal before starting installation.
- Always wear eye protection and protective clothing when working around hydraulic systems.
- Remove jewelry and objects that might conduct electricity while working on power units.
- Electrical cables (harnesses) must be tied and routed safely to avoid any damage and pinching (away from hot places, sharp objects etc.).
- When drilling mounting holes or using self-tapping screws in the engine compartment, be sure to check the mounting location for any wires, hoses other obstructions that could be damaged during installation.

1. Turn off the ignition of your vehicle.
2. Disconnect both battery cables (negative & positive).
3. Use dielectric grease on all electrical connections to prevent corrosion.
4. Remove the black cover on top of vehicle's grille.
5. Remove the vehicle's grille by removing four bolts on the top and two bolts on the bottom.
6. Remove the plastic tab at the inner fender.
7. Take the headlights out by removing two 10mm bolts (one on top and other at the very bottom).
8. Remove the black cover to get to the high and low beam connectors individually.
9. Refer to the picture #1 below to know the connectors for High and Low beam respectively.

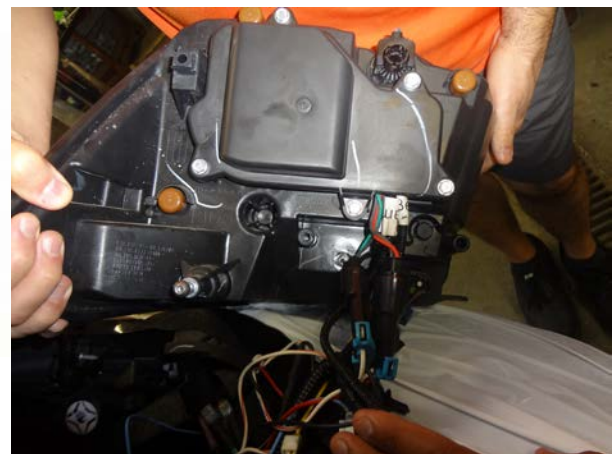


Picture #1

10. Using the labels as a reference on the harness connectors, plug the light adapter harness 800105-MPX-1 to the vehicle's headlight and vehicle's existing harness.
11. Cut a groove on black cover to run all the wires to the groove (refer to picture #2). Plug the harness adapter 800105-MPX-1 to the headlight and feed the wires as shown from the groove that was previously made (refer to picture #3). Silicone the cut-out after installing the cover to the headlight.



Picture #2

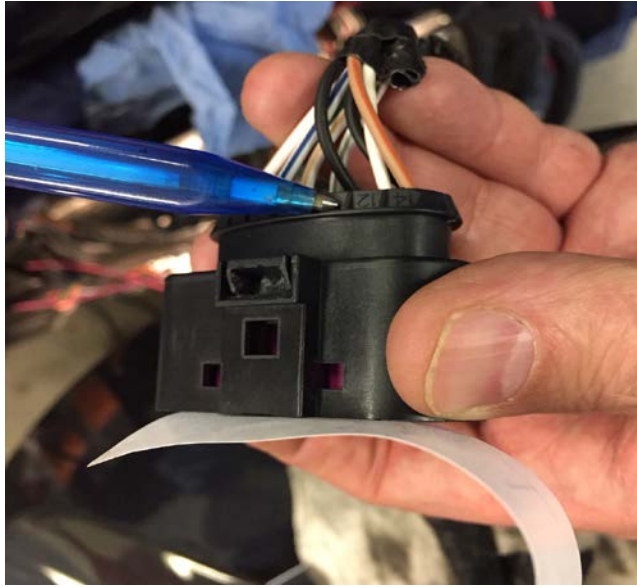


Picture #3

12. For Driver side turn, connect lt. blue wire on the light adapter harness 800105-MPX-1 with White/Green wire (Pin #12) on the plug of headlight (refer to picture #3).

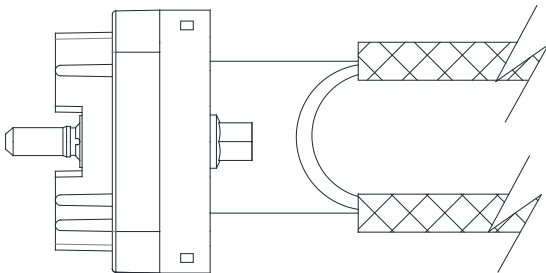
Similarly, for Driver side park, connect yellow wire on the light adapter harness 800105-

MPX-1 with White/Brown wire (Pin #2) on the plug of the headlight (refer to picture #3).



Picture #3

13. For Curb side turn, connect lt. blue wire on the light adapter harness 800105-MPX-1 with White/Brown wire (Pin #12) on the plug of the headlight.
14. Make sure that relay terminals are very well greased & placed in a safe position away from hot or moving parts.
15. Attach the connector (see picture below) from the light harness 800105-MPX-1 to the MPX module located under the hood, driver side.



16. Snow Plow Lamps should be mounted in the desired location on the snowplow frame ensuring that the snow plow lamp beams are not obstructed by any portion of the plow or vehicle.
17. After installation of the light adapter harness 800105-MPX-1, main control harness, all cables and wiring, check for proper operation of the light.
18. Parking & turn lamps should be on at same time as vehicle parking & turn lamps. If any lamp does not operate correctly, re-check wiring against wiring diagram and make

necessary corrections in wiring hookup. Adjust the plow lamp beams to project the same distance ahead of the vehicle as compared to the original headlights.

19. Installer of these snow plow lamps must certify that installation conforms to applicable Federal Motor Vehicle Safety Standards.

Arctic Equipment Manufacturing Corporation reserves the right under its product improvement policy to change construction or design details and furnish equipment when so altered without reference to illustrations or specifications used.