

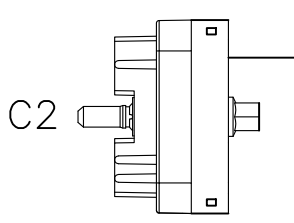
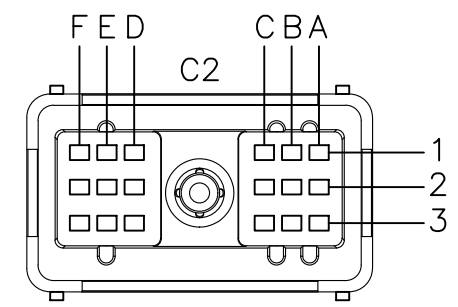
800089-MPX-1 (Unsealed relay)

MPX Light harness installation instructions (module installed under the vehicle hood)

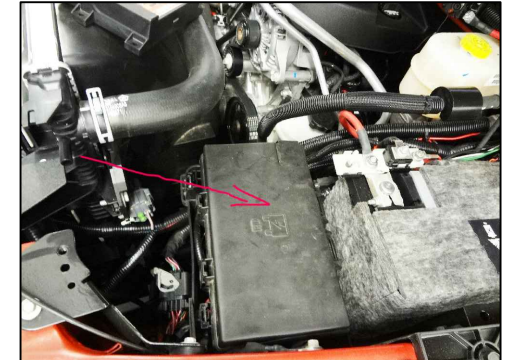
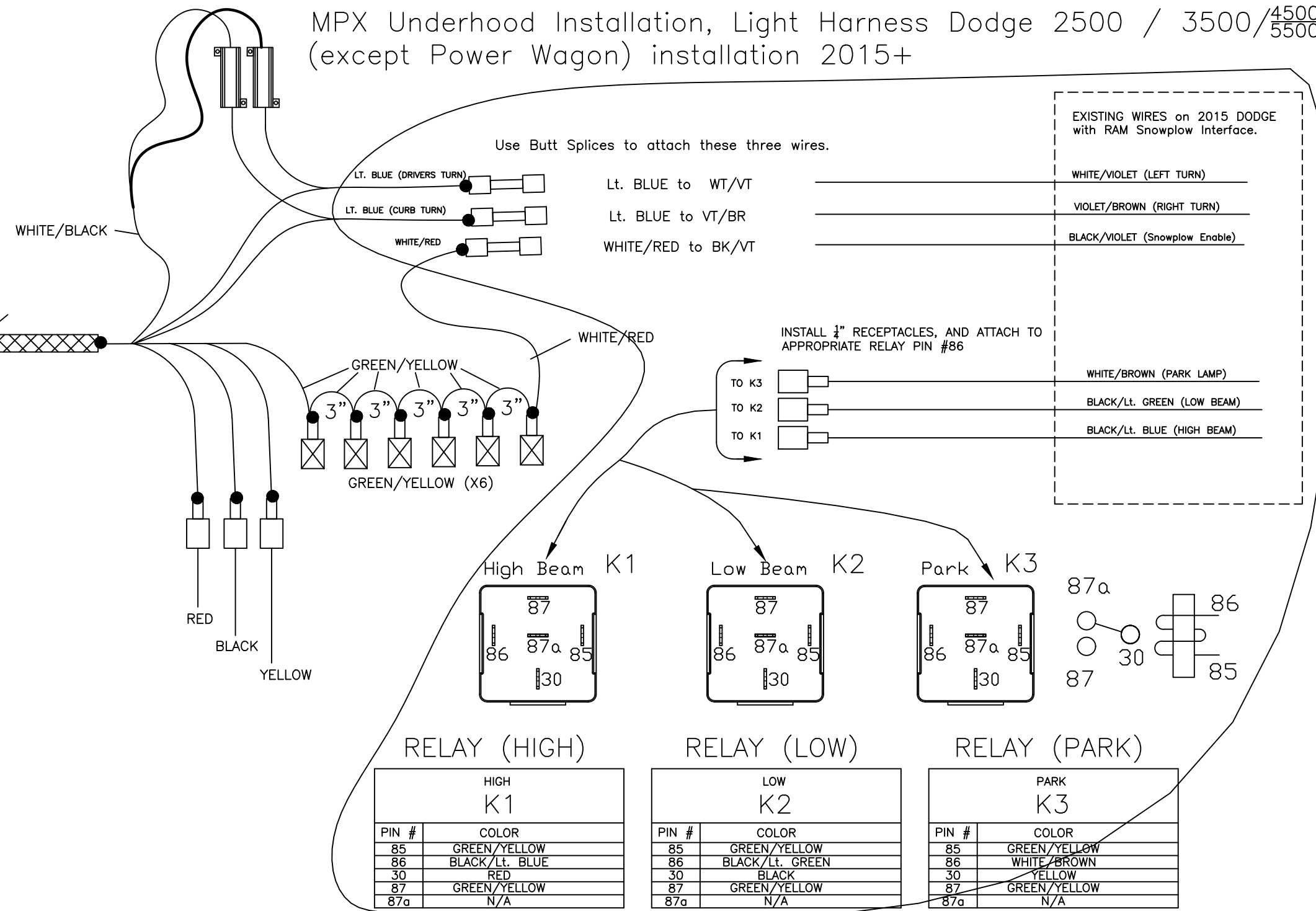
- W2500/3500 RAM (2015 and above)



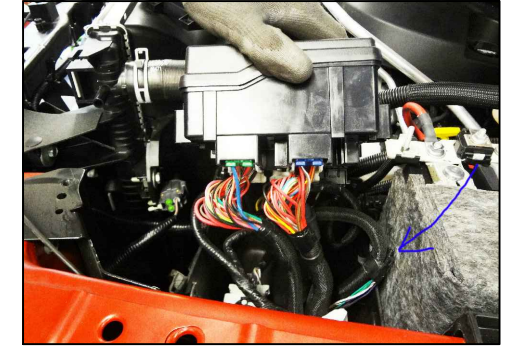
MPX Underhood Installation, Light Harness Dodge 2500 / 3500/4500/5500 (except Power Wagon) installation 2015+



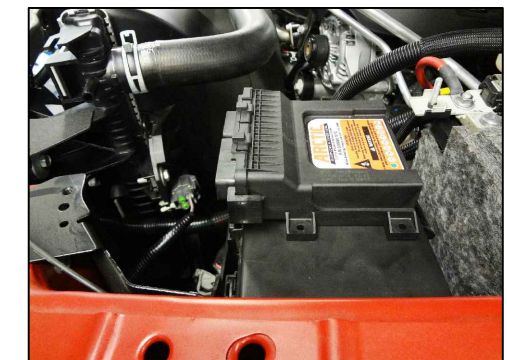
PIN #	COLOR	FUNCTION
A1	RED	DRIVERS SIDE HIGH BEAM
A2	BLACK	DRIVERS SIDE LOW BEAM
A3	CAVITY PLUG	S IN 1
B1	Lt. BLUE	TURN DRIVERS SIDE
B2	YELLOW	PARK
B3	CAVITY PLUG	S IN 2
C1	Lt. BLUE	TURN CURB SIDE
C2	CAVITY PLUG	AUX 2
C3	CAVITY PLUG	S IN 3
D1	WHITE/RED	COMMON
D2	WHITE/RED	COMMON
D3	CAVITY PLUG	PGD-1
E1	CAVITY PLUG	S IN 4
E2	CAVITY PLUG	VPP-1
E3	CAVITY PLUG	PGC-1
F1	GREEN/YELLOW	OP4
F2	CAVITY PLUG	VCC 5.0
F3	WHITE/BLACK	GROUND



-unclip a fuse box



-lift the box and find 6 wires, attach them to the harness as shown



-plug the harness in the control module; install module on the fuse box

-install VELCRO sticky back tape on the bottom of the module and on the top of fuse box