

Mounting Kit 53762-MKPB-QLIV

W2500 RAM 4x4 2019

W3500 RAM 4x4 2019

For snowplow lights (2019), this kit requires:
800084 or 800086 light kit.
800089-MPX light adapter for Front Installation

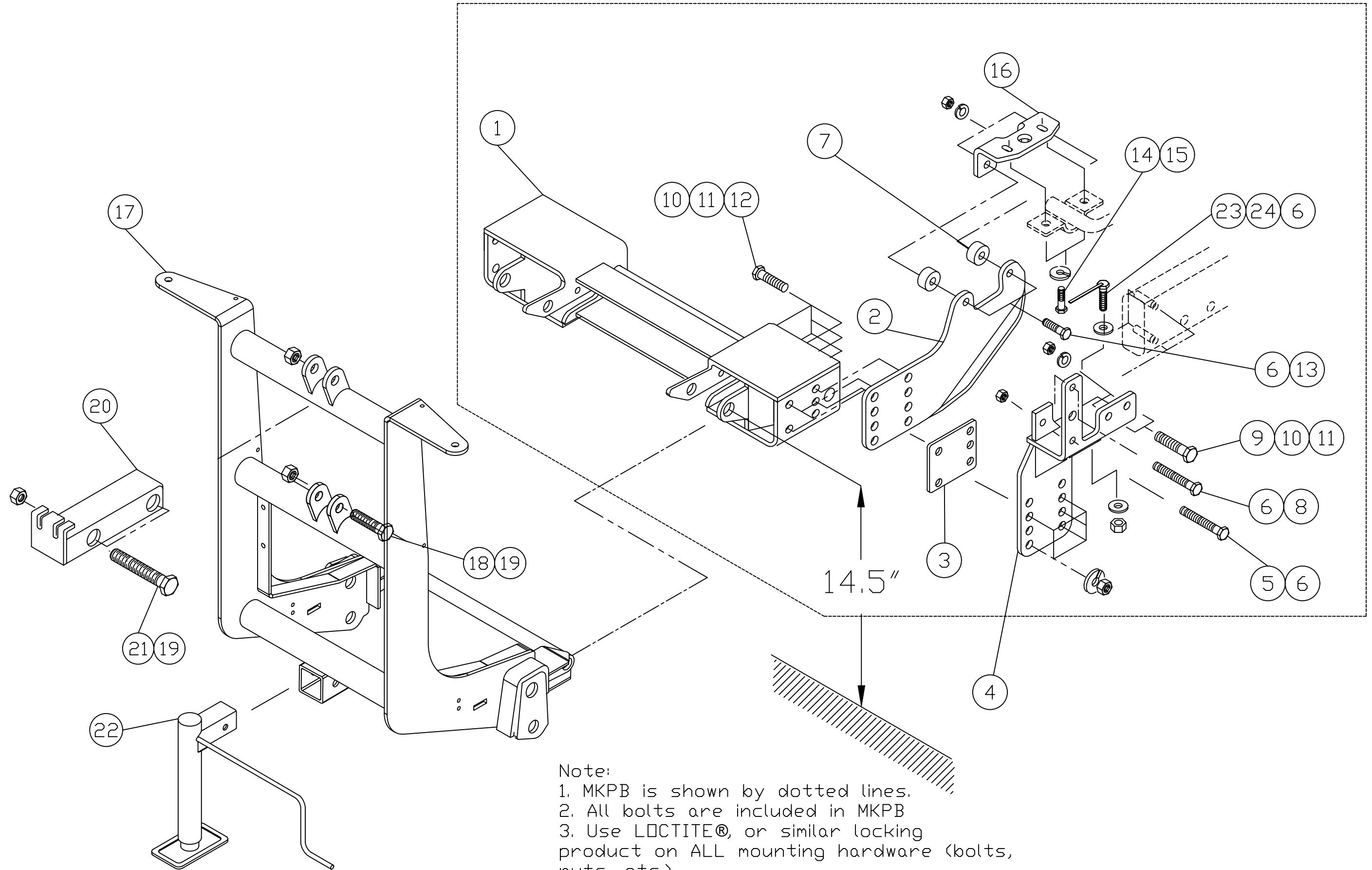
▲ Warning

Arctic Equipment Manufacturing Corporation (Arctic) does not assume liability for damage to your motor vehicle resulting from the attachment or use of an Arctic snowplow. The purchaser assumes all vehicle risk associated with the attachment and operation of this snowplow.

The Arctic snowplow you purchase must be used only on vehicles equipped with the manufacturer's snow plow preparation packages. Snow plowing without the original plow preparation package may damage your vehicle. The added weight may impair the operation and control of your vehicle. Snow plowing with a vehicle not recommended for that purpose by the manufacturer may void your new vehicle warranty. If your vehicle is not equipped with an original snow plow preparation package, additional equipment may be necessary before snow plowing. Please consult your vehicle and snowplow dealers prior to the purchase and installation of the snowplow. The installation of such parts however is not a full substitute for the original equipment snowplow preparation package.

The loaded vehicle, including all aftermarket accessories, the snowplow, passengers and cargo, must not exceed the gross vehicle weight ratings (GAWR), front gross axle weight rating (FGAWR) or rear gross axle weight rating (RGAWR) specified on the Safety Compliance Certification Label located in the driver's side door opening. It is the operator's responsibility to verify that these ratings are not exceeded. The use of rear ballast weight may be required to prevent exceeding the front GAWR.

To determine the Gross Axle Weights for your vehicle, including all aftermarket accessories, the snowplow, passengers and cargo, take your loaded vehicle and the snowplow to a scale. With the snowplow attached, place the front wheels of the vehicle on the scale to get the front gross axle weight (FGAW). To get the rear gross axle weight (RGAW), place the back wheels of the vehicle on the scale.



Note:

1. MKPB is shown by dotted lines.
2. All bolts are included in MKPB
3. Use LOCTITE®, or similar locking product on ALL mounting hardware (bolts, nuts, etc.).

53762-MKPB-QLIV			
Item	Part #	Description	Quantity
1	53507-C	Quik Link IV Spreader Bar Wide	1
2	53764-01-B	DS thrust arm	1
2a*	53764-02-B	CS thrust arm	1
3	53705-M	¼" Spacer	2
4	53763-01-C	DS Mounting bracket	1
4a*	53763-02-C	CS Mounting bracket	1
5	HH-01169-102	½" x 4.5" UNF HHCS	1
6	HH-011026-002	½" nylon inserts	10
7	53605-M	Spacer Galvanized	4
8	HH-01169-100	½ x 4" UNF HHCS	1
9	HH-00972-137	5/8-18 X 3 ¾ HHCS	4
10	HH-00457-003	5/8" lock washer	14
11	HH-00460-001	5/8-18 hex nut	14
12	HH-00972-131	5/8-18 x 2 ¼ HHCS	10
13	HH-00972-093	½" x 2 ¼ " HHCS	4
14	55600-0003	10mm x 45mm bolt	4
15	HH-00933-003	10mm lock washer	4
16	53606-M	Top Bracket	2
17	53517-D	Lift Frame QLIK*LINK IV- High boy	1
17a*	53564-D	Lift Frame QLIK*LINK IV- low mount	
18	HH-00972-153	¾ x 3 ½" UNF HHCS	2
19	HH-00973-007	¾" UNF Thin collar lock nut	3
20	52612-B-GA	Lift Channel (2" cylinder)	1
20a*	50069-C-GA	Lift Channel (1.5" cylinder)	
21	HH-00972-155	¾x4 UNF Cap Screw	1
22	52373-M	Jack Assembly	1
23	52575-18-A	½ x 1 ¾" UNF G8 HHCS	2
24	HH-00341-006	½ Flat Washer	2

Quick Link is a trademark of Arctic Equipment Manufacturing Corporation.

Items marked with * are not shown on the drawing.

Installation Instructions

Before drilling any holes in the firewall or frame, move brake lines, fuel lines and/or electrical wiring from the path of the drill. Brake and fuel lines must also be clear of any fasteners. Do not under any circumstances disable, remove or relocate any sensors or other components related to the operation of the air bags.

General order of installation:

- install all components (mounting bracket, thrust arm and spreader bar) and all fasteners finger tight (snug) through existing holes,
- use removable grade LOCTITE #242 on all bolts,
- drill necessary holes and
- tighten all hardware.

After first use, re tighten all mounting bolts; thereafter check mounting bolt tightness periodically and at the start of the season.

Before proceeding, read instructions carefully and familiarize yourself with the components and hardware.

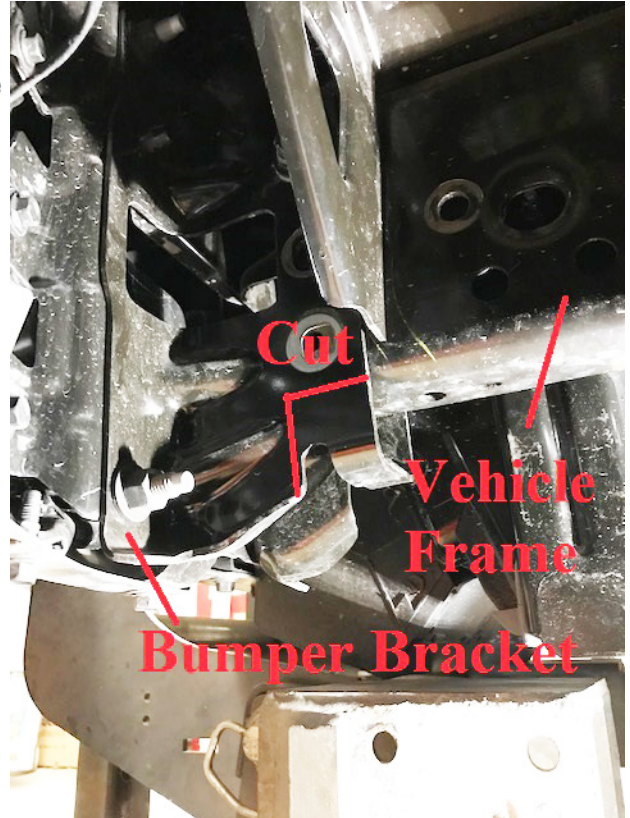
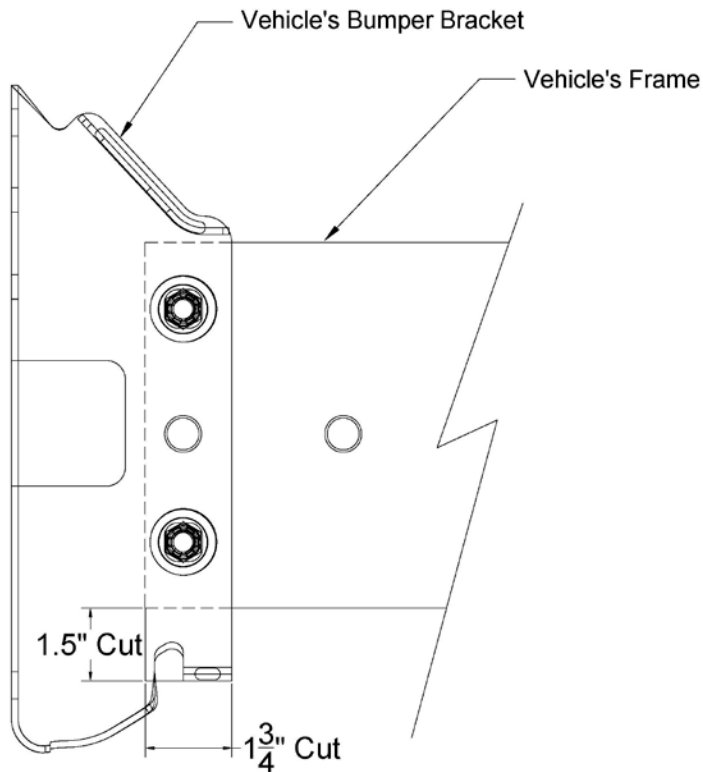
NOTE: It may be necessary, on some vehicles, to use a form of load booster to decrease the vehicle's front suspension sag when snowplows is attached to the vehicle. This can be done with the use of booster springs, supplementary air bags or similar load boosting devices. It is up to the customer to choose and purchase the product that suits this application.

Arctic Equipment Manufacturing reserves the right, under its product improvement policy, to change construction, design details or specifications without notice or without incurring any obligation.

Installation Instructions

1. Remove the bumper by unfastening 2 bolts from bumper brackets and 2 bolts from tow hooks on each side. Also remove the tow hooks and return them with their fasteners to the customer.
2. Lower the sway bar by removing two bolts located at the bottom of vehicle frame. Mount the bracket (16) in between the vehicle frame and the sway bar using 10mm x 45mm bolts (14) and lockwasher (15).
3. Install thrust arm (2)(2a), add 2 x spacers (7) and secure them with ½" bolts (13) and ½" nylon insert lock nut (6).
4. Install the mounting bracket (4) (4a) onto the vehicle frame.
5. Insert 5/8 x 3 ¾" bolt (9) at the rear of bracket and secure it with 5/8" lock washer (10) and 5/8" hex nut (11).
Install ½ x 1 ¾" bolt with welded handle (23), along with ½ flat washer (24) onto the frame and secure it with flatwasher (24) and ½ nylon insert lock nut at the bottom of frame (6).
Do not tighten any fasteners.

6. Make sure to install the bumper bracket back on the frame. To take the bumper bracket out from the bumper, remove four bolts on each side of the bumper that holds the brackets onto it.
7. Cut the bumper bracket as shown before installing it to the frame (see pictures below).



6. After installing the already cut bumper bracket, insert $\frac{1}{2}$ x $4 \frac{1}{2}$ " bolt (5), $\frac{1}{2}$ " nylon insert lock nut (6) at the bottom and $\frac{1}{2}$ " x 4" bolt (8), $\frac{1}{2}$ " nylon insert lock nut (6) at the top of mounting bracket to secure the mounting bracket onto the frame.
7. Jack the spreader bar (1) up in between the mounting brackets (4) (4a).
8. Insert $\frac{1}{4}$ " spacer (3) in between thrust arm (2) (2a) and mounting bracket (4) (4a) if required.
9. Insert $\frac{5}{8}$ " x $2 \frac{1}{4}$ " bolt (10) that goes from the spreader bar to the thrust arm through $\frac{1}{4}$ " " spacer and to the mounting bracket secured with $\frac{5}{8}$ " lock washer (11) and nut (12).
10. Torque all the fasteners according to the torque chart.
11. Return any unused items to the customer so that the vehicle can be returned to its original condition if the snowplow is removed.

12. See separate installation instructions for the hydraulic power unit, wiring and controls.

Suggested torque value for bolts				
Thread Size	Grade 5		Grade 8	
	Dry (ft. lb)	Oiled (ft.lb)	Dry (ft. lb)	Oiled (ft.lb)
¼-20	8	6	12	9
¼-28	10	7	14	11
5/16-18	17	13	24	18
5/16-24	19	15	27	21
3/8-16	31	24	44	34
3/8-24	35	27	49	38
7/16-14	49	38	70	54
7/16-20	55	42	78	60
½-13	75	58	105	82
½-20	85	65	120	90
5/8-11	150	115	210	165
5/8-18	170	130	240	185
¾-10	270	205	375	290
¾-16	295	230	420	320
7/8-9	395	305	605	455
7/8-14	435	335	670	515
1-8	590	455	905	695
1-14	660	510	1030	785

Arctic Equipment Manufacturing Corporation reserves the right under its product improvement policy to change construction or design details and furnish equipment when so altered without reference to illustrations or specifications used herein.