

Mounting Kit 53651-HOP

F150 2015-2018

- For the snowplow lights this kit requires:
800084 or 800085 or 800086 Light Kit,
800088-MPX (LED lights) (2015-2017), 800095-MPX (Halogen bulb) (2015-2018)

Check Page #9 for a ground cable installation.

Check Page #14 for snowplow prep package technical bulletin

Note: The F-150 snow plow installation is intended for personal use only.

Minimum Required Equipment- Snowplow Preparation Package (68P):

Note: Snow plow Outside Air Temperature (OAT) sensor is subject to error unless relocated to unblock airflow.

- 4X4 only
- Requires 5.0L V8 engine (99F)
- Lariat trim (only)- Electronic Shift-On-The-Fly (ESOF) replaces standard 2-speed automatic 4WD
- Lariat Technology Package (68T) not available with Snowplow Preparation Package (68P)
- Available on Regular, Super Cab and Super Crew models (5.5', 6.5' and 8.0' boxes)
- Both regular and heavy duty payloads packages
- Snow Plow mode button on instrument panel will disable the following features to maintain required electrical charge margins during plow operations / use: 110V inverter, fog lamps, heated steering wheels, heated front/rear seats, and massaging seats. Snowplow mode button also activated relay to snow plow controls.

* These snowplow weight limits are based upon a vehicle built with noted trim levels with no

List of F-150 (2015-2017) that HOP plow can be installed

*** Snow Plow Weight Analysis**

Vehicle Description	Engine	WB (in)	GVWR (lbs)	Front GAWR (lbs)	Rear GAWR (lbs)	Trim	Trim level	Base Curb Weight		Ballast
								Front	Total	
4X4 Super Cab	5.0L	145.0	7050	3375	3800	XLT	Lightest	2778	4615	1200
4X4 Super Cab	5.0L	163.7	7000	3450	3800	XLT	Lightest	2821	4877	1200
4X4 Regular Cab HPP	5.0L	141.1	7850	3400	4800	XL	Lightest	2799	4637	1200
4X4 Super Cab HPP	5.0L	163.7	7850	3750	4800	XL	Lightest	2981	5091	1200
			7850	3750	4800		Heaviest	3061	5385	1200
			7850	3750	4800	XLT	Lightest	2980	5102	1200
			7850	3750	4800		Heaviest	3117	5505	1200
			7850	3750	4800	Lariat	Lightest	3040	5206	1200
4X4 Crew Cab HPP	5.0L	156.8	7850	3750	4800	XL	Lightest	3040	5079	1200
			7850	3750	4800		Heaviest	3126	5380	1200
			7850	3750	4800	XLT	Lightest	3039	5092	1200
			7850	3750	4550	Lariat	Lightest	3100	5199	1200

additional Ford option content, a total of 300 lb. for a driver plus one front seat passenger (150 lbs each), ballast weight rearward of the rear axle, and additional assumptions for commercially available snowplow assembly weights and mounting location.

List of F-150 (2018) that HOP plow can be installed

*** Snow Plow Weight Analysis**

Vehicle Description	Engine	WB (in)	GVWR (lbs)	Front GAWR (lbs)	Rear GAWR (lbs)	Trim	Trim level	Base Curb Weight (lbs)		Ballast (lbs)
								Front	Total	
								4X4 Super Cab	5.0L	
			7000	3525	3800	XLT	Lightest	2902	4903	1200
4X4 Regular Cab HPP	5.0L	141.1	7850	3750	4800	XLT	Heaviest	2990	5074	1200
4X4 Super Cab HPP	5.0L	163.7	7850	3750	4800	XL	Lightest	3005	5066	1200
			7850	3750	4800		Heaviest	3085	5360	1200
			7850	3750	4800	XLT	Lightest	3004	5077	1200
			7850	3750	4800	Lariat	Lightest	3064	5181	1200
4X4 Crew Cab HPP	5.0L	156.8	7850	3750	4800	XL	Lightest	3104	5151	1200
			7850	3750	4800	XLT	Lightest	3103	5164	1200

* These snowplow weight limits are based upon a vehicle built with noted trim levels with no additional Ford option content, a total of 300 lb. for a driver plus one front seat passenger (150 lbs each), ballast weight rearward of the rear axle, and additional assumptions for commercially available snowplow assembly weights and mounting location.

Important Note:

Vehicle must not be operated when over-loaded. A vehicle is over-loaded when the weight of the complete vehicle with aftermarket equipment's installed, plus driver, passengers and cargo, exceeds either the FGAWR, RGAWR or GVWR established by Ford Motor Company and displayed on the Safety Compliance Certification Label.

The addition of ballast weight placed rearward of the rear axle is required to prevent exceeding FGAWR, and to provide good vehicle braking and handling. The ballast should be attached securely to the vehicle with consideration for the normal driving dynamics of snowplowing, and occupant safety in accidents.

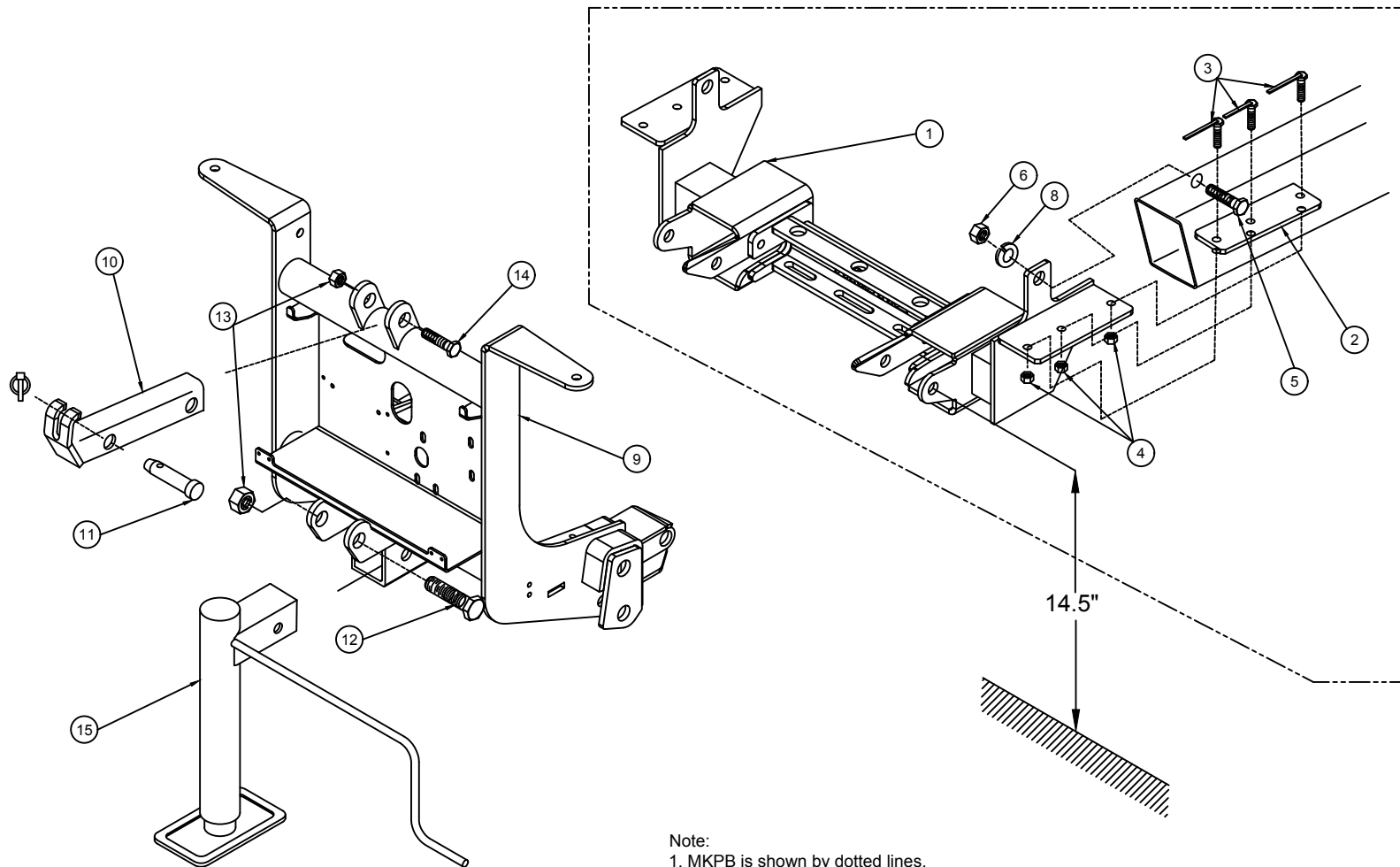
▲ Warning

Arctic Equipment Manufacturing Corporation (Arctic) does not assume liability for damage to your motor vehicle resulting from the attachment or use of an Arctic snowplow. The purchaser assumes all vehicle risk associated with the attachment and operation of this snowplow.

The Arctic snowplow you purchase must be used only on vehicles equipped with the manufacturer's snow plow preparation packages. Snow plowing without the original plow preparation package may damage your vehicle. The added weight may impair the operation and control of your vehicle. Snow plowing with a vehicle not recommended for that purpose by the manufacturer may void your new vehicle warranty. If your vehicle is not equipped with an original snow plow preparation package, additional equipment may be necessary before snow plowing. Please consult your vehicle and snowplow dealers prior to the purchase and installation of the snowplow. The installation of such parts however is not a full substitute for the original equipment snowplow preparation package.

The loaded vehicle, including all aftermarket accessories, the snowplow, passengers and cargo, must not exceed the gross vehicle weight ratings (GAWR), front gross axle weight rating (FGAWR) or rear gross axle weight rating (RGAWR) specified on the Safety Compliance Certification Label located in the driver's side door opening. It is the operator's responsibility to verify that these ratings are not exceeded. The use of rear ballast weight may be required to prevent exceeding the front GAWR.

To determine the Gross Axle Weights for your vehicle, including all aftermarket accessories, the snowplow, passengers and cargo, take your loaded vehicle and the snowplow to a scale. With the snowplow attached, place the front wheels of the vehicle on the scale to get the front gross axle weight (FGAW). To get the rear gross axle weight (RGAW), place the back wheels of the vehicle on the scale.



Note:

1. MKPB is shown by dotted lines.
2. All bolts are included in MKPB
3. Please use LOCTITE®, or similar locking product on ALL mounting hardware (bolts, nuts, etc.).

53651-MKPB-QLIV			
Item	Part #	Description	Quantity
1	53652-D	Mounting Bracket	1
2	53653-M	Inside support plate	2
3	52941-01-A	½" Weldedbolt	6
4	HH-01026-002	½" UNF Lock nut	6
5	HH-00972-164	7/8" x 2" bolt	2
6	HH-00460-009	7/8" nut	2
7	HH-00341-010	7/8" flat washer	2
8	HH-00457-901	7/8" lock washer	2
9	53661-D	QLIV Lift frame	1
10	50069-C-GA	Lift Channel	1
11	52757-M	Pin	1
12	HH-00972-156	¾" x 4 ½" UNF Cap screw	1
13	HH-00973-007	¾" UNF Thin Collar Lock nut	2
14	HH-00972-153	¾" x 3 ½" UNF Cap screw	1
15	52373-M	Jack Assembly	1
16*	50999-B	Blade guides	2

Quick Link is a trademark of Arctic Equipment Manufacturing Corporation.

* Items are not shown on the drawing.

Installation Instructions

Before drilling any holes in the firewall or frame, move brake lines, fuel lines and/or electrical wiring from the path of the drill. Brake and fuel lines must also be clear of any fasteners. Do not under any circumstances disable, remove or relocate any sensors or other components related to the operation of the air bags.

General order of installation:

- install all components (mounting bracket, thrust arm and spreader bar) and all fasteners finger tight (snug) through existing holes,
- use removable grade LOCTITE #242 on all bolts,
- drill necessary holes and
- tighten all hardware.

After first use, re tighten all mounting bolts; thereafter check mounting bolt tightness periodically and at the start of the season.

Before proceeding, read instructions carefully and familiarize yourself with the components and hardware.

NOTE: It may be necessary, on some vehicles, to use a form of load booster to decrease the vehicle's front suspension sag when snowplows is attached to the vehicle. This can be done with the use of booster springs, supplementary air bags or similar load boosting devices. It is up to the customer to choose and purchase the product that suits this application.

Arctic Equipment Manufacturing reserves the right, under its product improvement policy, to change construction, design details or specifications without notice or without incurring any obligation.

1. Remove bumper (bumper is held to three bumper bolts on each side, two upfront and one on the back). Use 21mm Socket to remove the bumper bolts. Make sure to unplug the fog lights connector (possibly on the curb side of vehicle.)

2. Tow hooks on each side has to be removed (each tow hook is attached by 2 bolts). Do not reinstall tow hooks back on the truck.

3. Insert the inside support plate (#2) inside of the vehicle frame (See picture below for proper orientation of the inside support plate).



4. Install one piece mounting bracket (#1) between the vehicle frame using one 7/8" x 2" bolt (#5) , 7/8" lock-washer (#8) and 7/8" nut (#6) (Install 7/8" flat washer (#7) between mounting bracket and vehicle frame if necessary) on the side of frame. Insert three 1/2" x 1 1/2" welded bolts (#3) and three 1/2" lock-nuts (#4) on bottom of the frame.

5. Torque all fasteners as per the Torque Chart.

6. After tightening all the fasteners, install bumper to its original place, plug in the fog lights connector which you removed earlier.

7. Slide the lift frame into spreader bar.

8. Assemble lift channel and lift cylinder at the top of lift frame.

Suggested torque value for bolts				
Thread Size	Grade 5		Grade 8	
	Dry (ft. lb)	Oiled (ft.lb)	Dry (ft. lb)	Oiled (ft.lb)
1/4-20	8	6	12	9
1/4-28	10	7	14	11
5/16-18	17	13	24	18
5/16-24	19	15	27	21
3/8-16	31	24	44	34
3/8-24	35	27	49	38
7/16-14	49	38	70	54
7/16-20	55	42	78	60
1/2-13	75	58	105	82
1/2-20	85	65	120	90
5/8-11	150	115	210	165
5/8-18	170	130	240	185
3/4-10	270	205	375	290
3/4-16	295	230	420	320
7/8-9	395	305	605	455
7/8-14	435	335	670	515
1-8	590	455	905	695
1-14	660	510	1030	785

Arctic Equipment Manufacturing Corporation reserves the right under its product improvement policy to change construction or design details and furnish equipment when so altered without reference to illustrations or specifications used herein.