

# Mounting Kit 53375-MKPB-QLIV

W2500 Ram 4x4 (Except Sport) 2003-2012

W3500 Ram DRW 4x4 (Except Sport) 2003-2012

For the snowplow lights this kit requires:

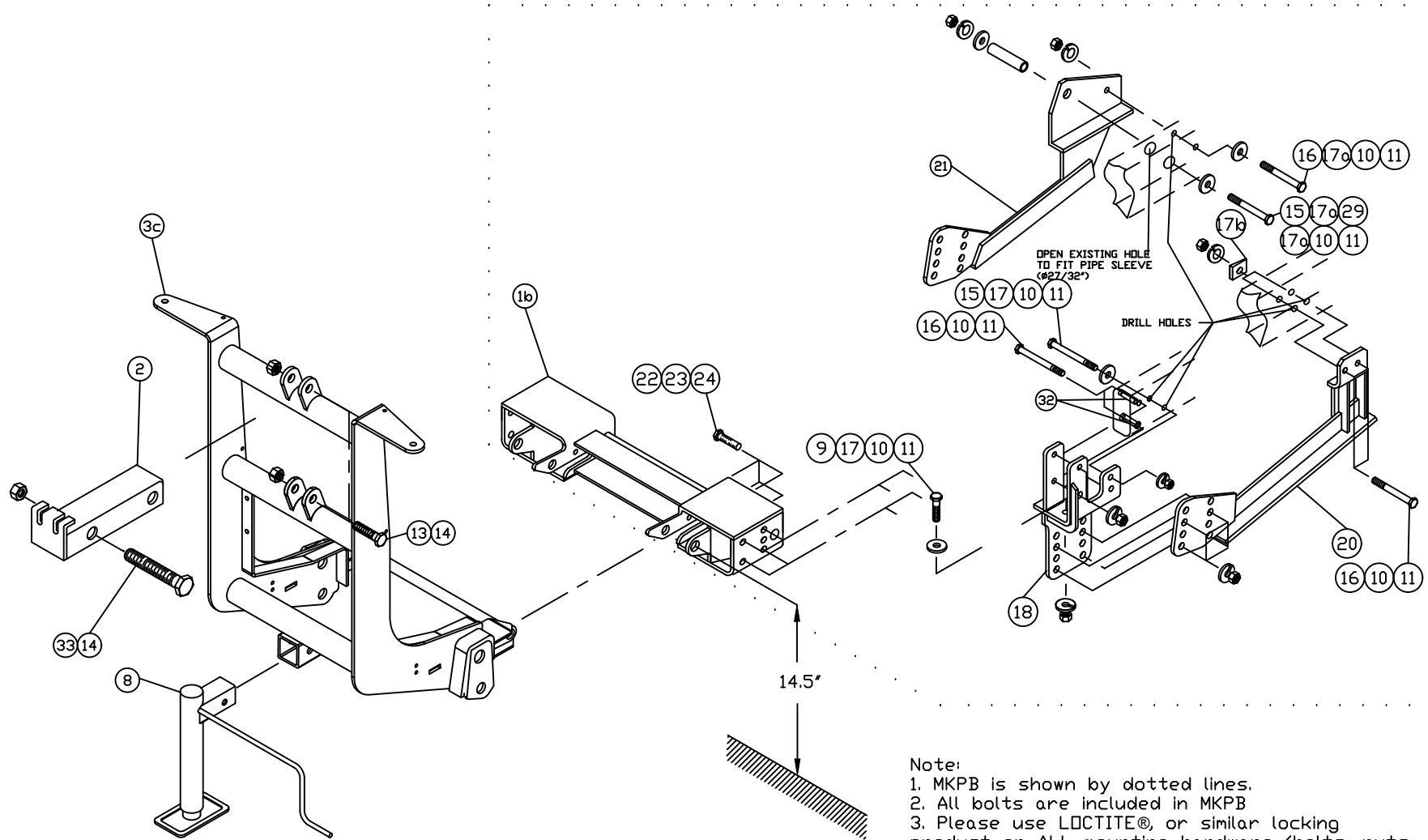
800084, 800085 or 800086 light kit,

53617-M wiring kit,

Adapter kit for year 2003-2005, 767052 (vehicle's headlamp bulb H9007),

Adapter kit for year 2006-2012, 800034 (vehicle's headlamp bulb H13).

***Ground Clearance Note:*** Diesel models 2011+, as received from the manufacturer, have an intercooler (the cooler lines) very low, therefore it does not allow the spreader bar to be installed in the highest holes (the spreader pin hole should be located 14 1/2" (+/- 1/2") of the ground). Suspension modifications may be required in order to achieve sufficient ground clearance to install a snowplow.



Item	Part #	Description	Quantity
1*	52310-D	Spreader Bar	1
1a*	52364-C	Spreader Bar QLII	1
1b	53507-C	Spreader Bar QLIV	1
2a*	50069-C-GA	Lift Channel (1 ½" cylinder)	1
2	52612-B-GA	Lift Channel (2" cylinder)	1
3*	52162-C	Lift Frame	1
3a*	53170-D-GA	Lift Frame, QUIK*LINK® II- low mount	1
3b*	53171-D-GA	Lift Frame, QUIK*LINK® II-Hi boy	1
3c	53517-D	Lift Frame, QUIK*LINK® IV- Hi boy	1
3d*	53564-D	Lift Frame, QUIK*LINK® IV- low mount	1
4*	WA-34704-M	Mounting Pin, QLI, Ass'y	2
4a	52348-M	Mounting Pin, Ass'y	2
6*	52208-B-GA	Light Bracer	2
7*	52209-B-GA	Light Antler	1
8	52373-M	Jack Assembly	1
9	HH-00972-090	½" x 1 ½" UNF Hex Head Cap screw	8
10	HH-00457-001	½" Lock washer	18
11	HH-00460-002	½" UNF Nut	18
12*	HH-00972-149	¾" x 2 ½" UNF Hex Head Cap screw	1
13	HH-00972-153	¾" x 3 ½" UNF Hex Head Cap screw	2
14	HH-00973-007	¾" UNF Thin Collar Lock nut	3
15	HH-00972-100	½"x 4" UNF Hex Head Cap screw	4
16	HH-00972-101	½" x 4 ½" UNF Hex Head Cap screw	6
17	HH-00341-006	½" Flat washer	4
17a	52565-N	Flat washer ¼" thick	3
17b	53390-N	½" Beveled Washer	2

Item	Part #	Description	Quantity
18	53376-01-C	Mounting Bracket, Driver Side	1
19*	53376-02-C	Mounting Bracket, Curb Side	1
20	52742-D	Thrust Arm, Driver Side	1
21	52743-D	Thrust Arm, Curb Side	1
22	HH-00972-131	5/8" x 2 1/4" UNF Hex Head Cap screw	8
23	HH-00457-003	5/8" Lock washer	8
24	HH-00460-001	5/8" Hex Nut	8
25*	HH-00293-006	1/4"x1" UNC Hex Head Cap screw	4
26*	HH-00341-002	1/4" Flat washer	4
27*	HH-00457-006	1/4" Lock washer	4
28*	HH-00294-001	1/4" Hex Nut	4
29	52753-N	Pipe Sleeve, 2 5/8" length	1
30*	HH-00972-155	3/4" x 4" UNF Hex Head Cap screw	2
32	52787-A	Pipe Sleeve, ID 1 1/16", length 1 7/8", with handle	4
33	HH-00972-155	3/4" x 4" UNF Cap Screw	2

QUIK\*LINK is a trademark of Arctic Equipment Manufacturing Corporation

**Note:** \* These items are not shown on the drawing.

### GENERAL

**Customer must be aware of following:**

Arctic Equipment Manufacturing Corporation (Arctic) does not assume liability for damage to your motor vehicle resulting from the attachment or use of an Arctic snowplow. The purchaser assumes all vehicle risk associated with the attachment and operation of this snowplow.

The Arctic snowplow you purchase must be used only on vehicles equipped with the manufacturer's snow plow preparation package. Snow plowing without the original plow preparation package may damage your vehicle. The added weight may impair the operation and control of your vehicle. Snow plowing with a vehicle not recommended for that purpose by the manufacturer may void your new vehicle warranty. If your vehicle is not equipped with an original snow plow preparation package, additional equipment may be necessary before snow plowing. Please consult your vehicle and snowplow dealers prior to the purchase and installation of the snowplow. The installation of such parts

however is not a full substitute for the original equipment snowplow preparation package.

Before drilling any holes in the firewall or frame, move brake lines, fuel lines and/or electrical wiring from the path of the drill. Brake and fuel lines must also be clear of any fasteners.

All bolts should be installed from the inside of the truck frame so that the lock washers and nuts are accessible for re tightening (where possible).

If a slotted hole in the truck frame is utilized, then a flat washer must be used under the bolt head. If a flat washer is used under a lock washer use LOCTITE #242. Also use this LOCTITE #242 if existing (vehicle) bolts and nuts are used.

General order of installation:

- install all components (mounting bracket, thrust arm and spreader bar) and all fasteners finger tight (snug) through existing holes,
- drill necessary holes and
- tighten all hardware.

**After first use, re tighten all mounting bolts**, thereafter check mounting bolt tightness periodically and at the start of the season.

Before proceeding, read instructions carefully and familiarize yourself with the components and hardware.

## INSTALLATION INSTRUCTIONS

1. Remove a bumper and tow hooks.
2. Bumper and tow hook mounting brackets are attached to the vehicle frame with two bolts on each side. These two bolts are connected with a bolt plate. Remove nuts and pull bolts away from frame.  
Cut top bolt behind bolt plate so the bolt can be removed through frame. Turn the other bolt and bolt plate down so bolt will pass by radiator to remove it. Remove tow hook brackets (they will not be used again). Do not use the bolt plate.  
Remove inside frame stiffener.
3. Be sure that bumper mounting brackets are in original position. Slide mounting bracket (18)(19) to the vehicle frame. Insert ½" x 4.5" bolts (16) through front mounting plate holes (bumper) (insert pipe sleeves (32) inside of frame so that bolts can go through sleeve) and secure with ½" lock washer (10) and ½" nut (11).
4. Using 9/16" hole on the bottom of mounting bracket (18)(19) as guide drill 17/32" hole

- through the bottom of the vehicle frame. Insert ½" x 1 1/2" (9) bolt , ½" flat washer (17) and secure with ½" lock washer (10) and ½" nut (11). (All bolts must be tight before drilling holes through the bottom of the mounting bracket).
5. Using 9/16" hole on the side of the mounting bracket (18)(19) as guide drill 17/32" hole through the side of the vehicle frame. Insert ½" x 4" (15) bolt, ½ flat washer (17) and attach ½" lock washer (10) and ½" nut (11). **\* Note: if a slotted hole** is located in the vehicle frame, drill another ½" hole (1.5" below existing one) in the mounting bracket (18). Using that hole as a guide drill ½" hole in the vehicle frame and secure the mounting bracket to the vehicle frame using ½" bolt with welded handle.
  6. Fasten spreader bar (1b) and thrust arms (20) & (21) to mounting brackets (18)(19) using 5/8"x2 1/4" bolt (22), 5/8" lock washer (23) and 5/8" hex nut (24). The spreader pin hole should be located 14-1/2" (+/- ½") of the ground.
  - 7a. When driver side thrust (20) arm is tight up against the vehicle frame, drill two 17/32" holes through the frame using 9/16" hole in thrust arm (20) as guide. Insert ½" x 4.5" bolts (15), beveled washers (17b) ½" lock washer (10) and ½" nut (11).
  - 7b. When curb side thrust arm (21) is tight up against the vehicle frame, open existing hole in the vehicle frame to accept pipe sleeve (29) to 27/32" dia. Insert pipe sleeve (29) from outside and ½" x 4.5" (16) bolt from inside together with ½" flat washer (17a). Also insert from outside of the vehicle frame ½" flat washer (17a), ½" lock washer (10) and ½" nut (11).
  - 7c. Using 9/16" hole on the side of the thrust arm (21) as guide drill 17/32" hole through the side of the vehicle frame. Insert ½" x 4.5" (16) bolt, ½ flat washer (17a) and attach ½" lock washer (10) and ½" nut (11).
  8. Torque all fasteners using torque chart. Reinstall bumper as high as possible.
  9. Install lift frame (3c) Slide inside of spreader bar (1b).
  10. Torque all fasteners according to torque chart.
  11. Fasten lift channel (2) and lift cylinder to the lift frame (3a)(3b) using 3/4"x3 ½" bolts (13) and 3/4" locknut (14). Use 3/4"x 4" bolt (33) and 3/4" locknut (14) to attach lift cylinder or M673F to lift channel (2). NOTE: *Do not over tighten as this assembly must be able to pivot.*
  12. Use 1/4"x1" bolt (25), 1/4" flat washer (26), 1/4" lock washer (27) and 1/4" hex nut (28) to fasten blade guides to plow.
  13. Return any unused items to the customer so that the vehicle can be returned to its original condition if the snowplow is removed.

14. See separate installation instructions for the hydraulic power unit, wiring and controls.

Torque Chart (Ft. Lb)		
Size	Grade 5 Bolt	Grade 8 Bolt
1/4 - 28	8	11
5/16 - 24	15	22
3/8 - 24	28	40
7/16- 20	44	63
1/2- 20	69	97
5/8- 18	138	195
3/4-16	241	341

Note: Torque values are for plated bolts only.