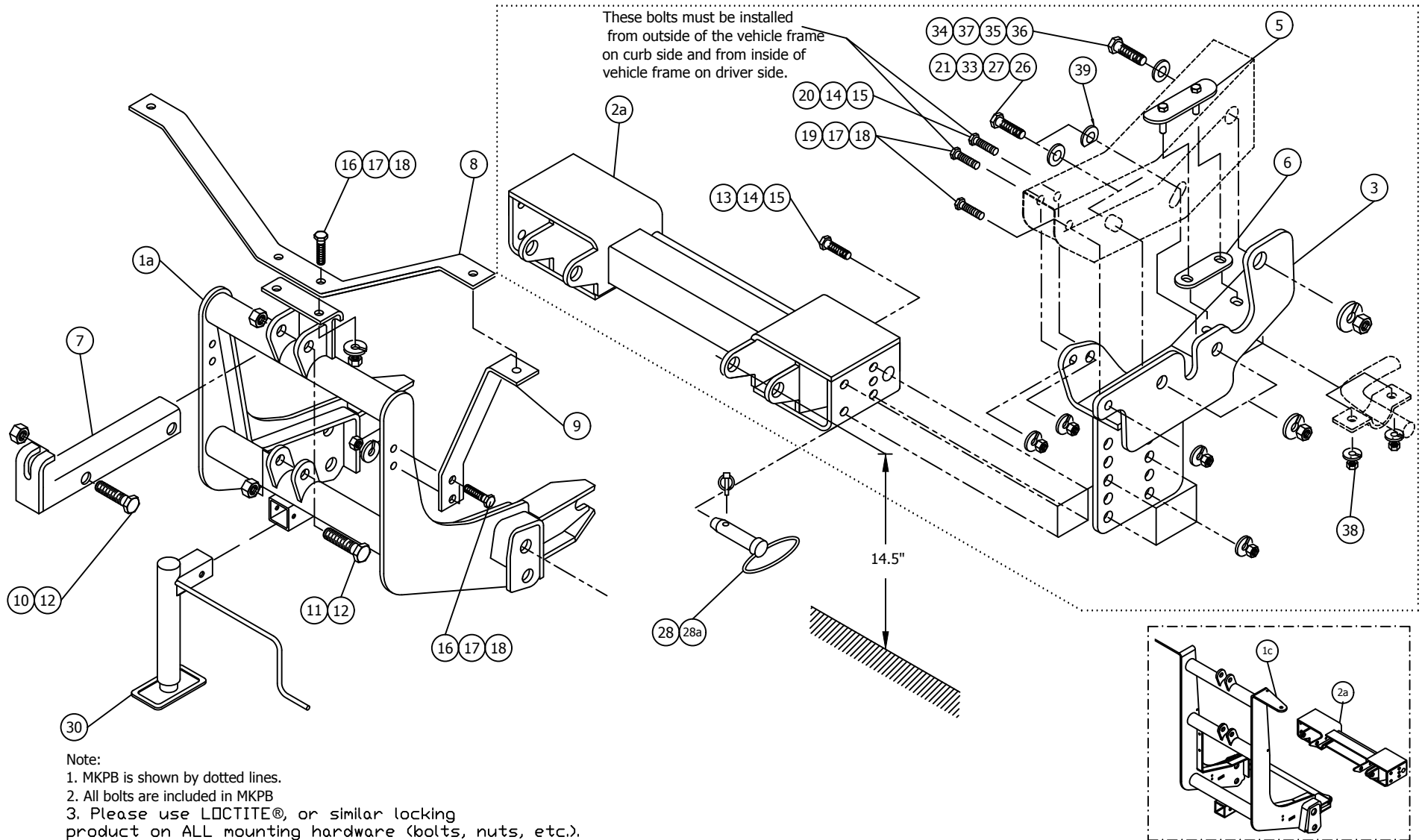


MOUNTING KIT

53260-MKPB

F250 Super Duty 4x4 2008-2013
F350 Super Duty SRW 4x4 2008-2013
F350 Super Duty DRW 4x4 2008-2013
F450 Super Duty DRW 4x4 2008-2013

(Note: For the snowplow lights this kit requires: 800037 (or 80037AXV) Light kit, 800034 Adapter Kit (vehicle's headlamp bulb H13) and 800038 Relay Kit- *see last page**



Arctic Equipment Manufacturing Corporation
Mounting kit 53260-MKPB

53260-MKPB R03
INST0144

Item	Part #	Description	Quantity
1*	52162-C	Lift Frame	1
1a	53170-D-GA	Lift Frame, QUIK*LINK® II Galvanized	1
1b*	53171-D-GA	Lift Frame, QUIK*LINK® II-HI Galvanized	1
1c*	52517-D	Lift Frame, QUIK*LINK® IV-HI Galvanized	1
2*	52310-D	Spreader Bar	1
2a	52364-C	Spreader Bar QLII	1
2c*	53507-C	Spreader Bar QLIV	1
3	53261-B	Mounting Bracket DS	1
4*	53262-B	Mounting Bracket CS	1
5	53268-01-A	Inside Plate	2
6	53269-M	Spacer	2
7	50069-C-GA	Lift Channel Galvanized	1
7a*	52612-B-GA	Lift Channel (2" cylinder) Galvanized	1
8	52209-B-GA	Light Antler Galvanized	1
9	52208-B-GA	Light Brace Galvanized	2
10	HH-00972-149	3/4" x 2½" UNF Cap screw	1
11	HH-00972-153	3/4" x 3½" UNF Cap screw	2
12	HH-00973-007	3/4" UNF Thin Collar Lock nut	3
13	HH-00972-129	5/8" x 1 3/4" UNF Cap screw	8

Arctic Equipment Manufacturing Corporation
Mounting kit 53260-MKPB

53260-MKPB R03
 INST0144

Item	Part #	Description	Quantity
14	HH-00457-003	5/8" Lock washer	10
15	HH-00460-001	5/8" UNF Hex nut	10
16	HH-00972-090	½" x 1½" UNF Cap screw	6
17	HH-00457-001	½" Lock washer	10
18	HH-00460-002	½" Hex nut	10
19	HH-00972-089	½" x 1 1/4" UNF Cap screw	4
20	HH-00972-128	5/8" x 1 1/2" UNF Cap screw	2
21	HH-00972-147	3/4" x 2" UNF Cap screw	4
22*	HH-00293-006	1/4" x 1" Cap screw	4
23*	HH-00457-006	1/4" Lock washer	4
24*	HH-00341-002	1/4" Flat washer	4
25*	HH-00294-001	1/4" Hex nut	4
26	HH-00460-007	3/4" Hex nut	4
27	HH-00457-008	3/4" Lock washer	4
28	WA-34704-M	Mounting Pin, QLI Ass'y	2
28a	52348-M	Mounting Pin Ass'y	2
30	52373-M	Jack Assembly	1
31*	50999-B	Blade guides	2
32*	HH-00972-155	3/4" x 4" UNF Cap screw	2

Item	Part #	Description	Quantity
33	HH-00341-009	3/4" Flat washer	2
34	HH-00972-181	1"-12 x 2" UNF Cap screw	2
35	HH-00457-009	1" Lock washer	2
36	HH-00460-010	1" Hex nut	2
37	55017-N	1" Flat washer	2
38	HH-00540-099	7/16" Hex nut	4
39	53272-A	3/4" Flat washer Modified	2
40*	HH-00341-006	½" flat washer	4
41*	53092-N	Black cable tie	1

QUIK*LINK is a trademark of Arctic Equipment Manufacturing Corporation

Note: * These items are not shown on the drawing.

GENERAL

Customer must be aware of following:

Arctic Equipment Manufacturing Corporation (Arctic) does not assume liability for damage to your motor vehicle resulting from the attachment or use of an Arctic snowplow. The purchaser assumes all vehicle risk associated with the attachment and operation of this snowplow.

The Arctic snowplow you purchase must be used only on vehicles equipped with the manufacturer’s snow plow preparation package. Snow plowing without the original plow preparation package may damage your vehicle. The added weight may impair the operation and control of your vehicle. Snow plowing with a vehicle not recommended for that purpose by the manufacturer may void your new vehicle warranty. If your vehicle is not equipped with an original snow plow preparation package, additional equipment may be necessary before snow plowing. Please consult your vehicle and snowplow dealers prior to the purchase and installation of the snowplow. The installation of such parts however is not a full substitute for the original equipment snowplow preparation package.

Before drilling any holes in the firewall or frame, move brake lines, fuel lines and/or electrical wiring from the path of the drill. Brake and fuel lines must also be clear of any fasteners.

All bolts should be installed from the inside of the truck frame so that the lock washers and nuts are accessible for re-tightening.

If a slotted hole in the truck frame is utilized, then a flat washer must be used under the bolt head. If a flat washer is used under a lock washer use LOCTITE #242. Also use this LOCTITE #242 if existing (vehicle) bolts and nuts are used.

Do not tighten any bolt assemblies until all fasteners and components are installed, unless otherwise specified.

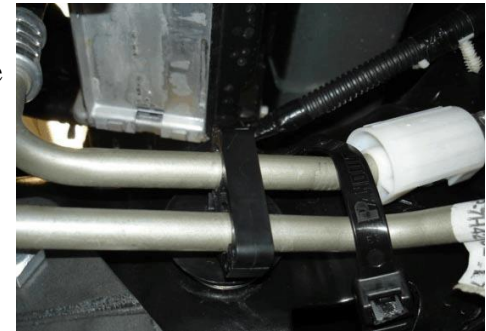
After first use, re-tighten all mounting bolts, thereafter check mounting bolt tightness periodically.

Before proceeding, read instructions carefully and familiarize yourself with the components and hardware.



INSTALLATION INSTRUCTIONS

1. Remove bumper from truck. Remove four bolts that hold sway bar to the vehicle frame (those bolts will not be used). Hose and electrical lines must be moved away from the frame on curb side of the vehicle frame.
2. Insert inside plate (5). Install mounting brackets (3) (4). Spacer (6) must be installed between mounting bracket (3) (4) and vehicle frame. Secure mounting plate (3)(4) with 7/16" nut (38) only on first (front) bolt.
3. All bolts must be installed from inside of frame and secured with nuts outside of frame, except bolts ½" x 1 1/4" bolt (19) and 5/8" x 1 1/2" bolt (20) must be installed from outside of frame and secured by nuts inside of frame on curb side.
4. Install bolts as shown on the drawing. In the front install ½" x 1 1/4" (19) bolt, and secure with 1/2" lock washer (17) and 1/2" nut (18); 5/8" x 1 1/2" bolt (20) and secure with 5/8" lock washer (14) and 5/8" nut (15). Install also 3/4" x 2" (21) bolt together with 3/4" flat washer (33), 3/4" lock washer (27)(39) and 3/4" nut (26); 1" x 2" bolt (34) together with 1" flat washer (37), 1" lock washer (35) and 1" nut (36).

5. Reinstall sway bar and sway bar bracket and secure with 7/16" lock nut (38) onto bolts in inside plate (5).
6. Insert the spreader bar (2a) between two bottom mounting brackets (3)(4). The spreader pin hole should be 14 1/2" (+/- 1/2") off of the ground. Insert 5/8" x 1 3/4" bolts (13) from inside spreader bar through mounting bracket holes and secure using 5/8" lock washer (14) and 5/8" nut (15).
7. Torque all fasteners according to torque chart.
8. Remove the plastic screw, that holds hoses and lines, and add three 1/2" washers over the screw (only curb side). Reinstall screw in the same hole and secure lines (wrap) with cable tie. See pictures below. Hose and lines must be away from the vehicle frame. If necessary, use silicone to avoid any interference between lines and vehicle frame.
9. Reinstall bumper.
10. Install lift frame (1a). Slide inside of spreader bar (2a). Insert mounting pin (28a) in the top holes of the spreader bar (2a).
11. Install light antler (8) and light braces (9) using 1/2" x 1 1/2" bolts (16), 1/2" lock washers (17) and 1/2" hex nuts (18). Install lights so that the light mounting stud goes through both antler (8) and the brace (9). Tighten all light mounting hardware.
12. Install lift channel (7) and front mount pump (from hydraulic kit) or hydraulic cylinder to lift frame (1)(1a)(1b) using 3/4" x 3 1/2" bolts (11) and 3/4" locknuts (12). Use 3/4" x 2 1/2" bolts (10) and 3/4" lock nuts (12) to attach lift channel (7) to front mount pump or hydraulic cylinder. Do not over tighten this assembly as it must be able to pivot.
13. Use 1/4"x 1" bolt (22), 1/4" flat washer (23), 1/4" lock washer (24) and 1/4" hex nut (25) to fasten blade guides to plow.
15. Return any unused items to the customer so that the vehicle can be returned to its original condition if the snowplow is removed.



16. See separate installation instructions for the hydraulic power unit, wiring and controls.

TORQUE CHART (FT. LB.)		
SIZE	GRADE 5 BOLT 	GRADE 8 BOLT 
$\frac{1}{4}$ - 28	8	11
$\frac{5}{16}$ - 24	15	22
$\frac{3}{8}$ - 24	28	40
$\frac{7}{16}$ - 20	44	63
$\frac{1}{2}$ - 20	69	97
$\frac{5}{8}$ - 18	138	195
$\frac{3}{4}$ - 16	241	341
<u>Note:</u> Torque values are for plated bolts only		