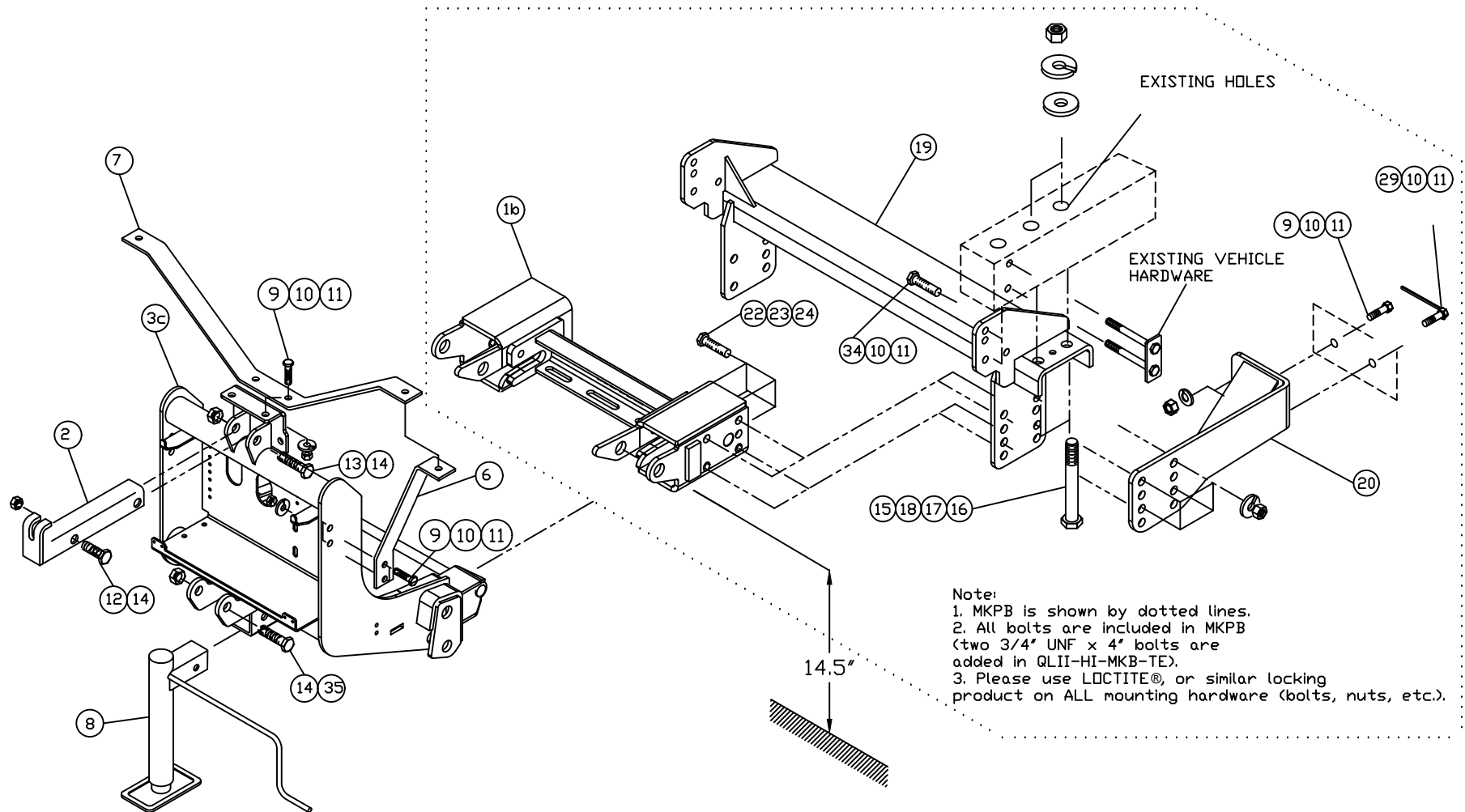
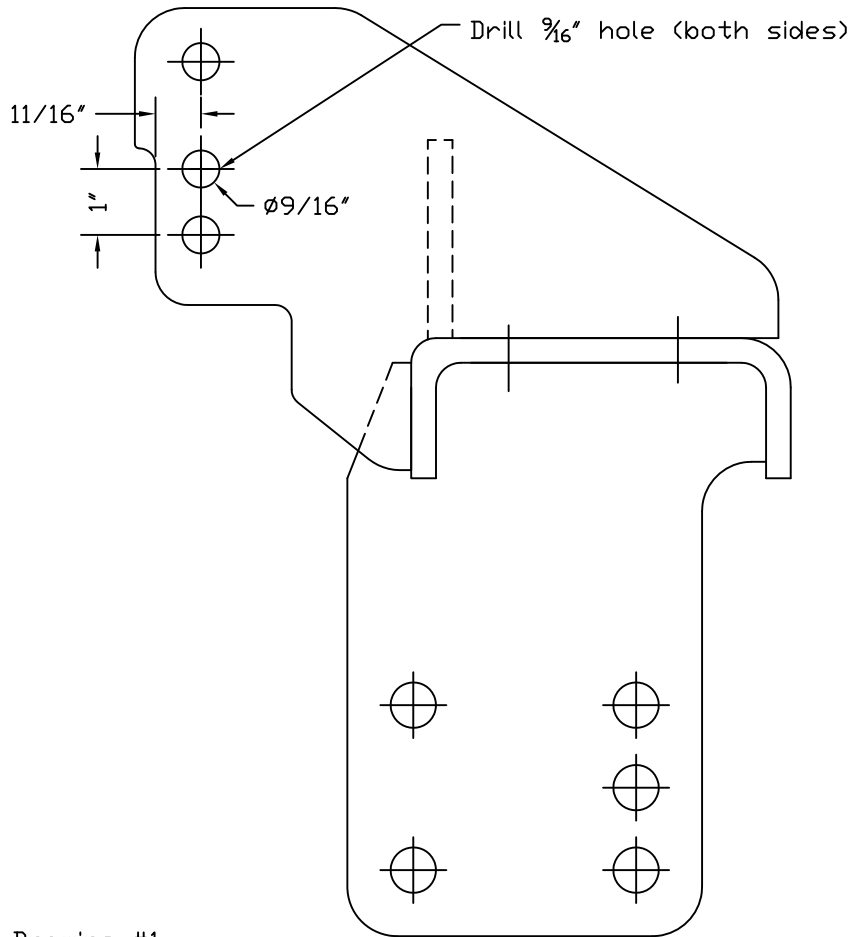


Mounting Kit 53211-MKPB-QLIV

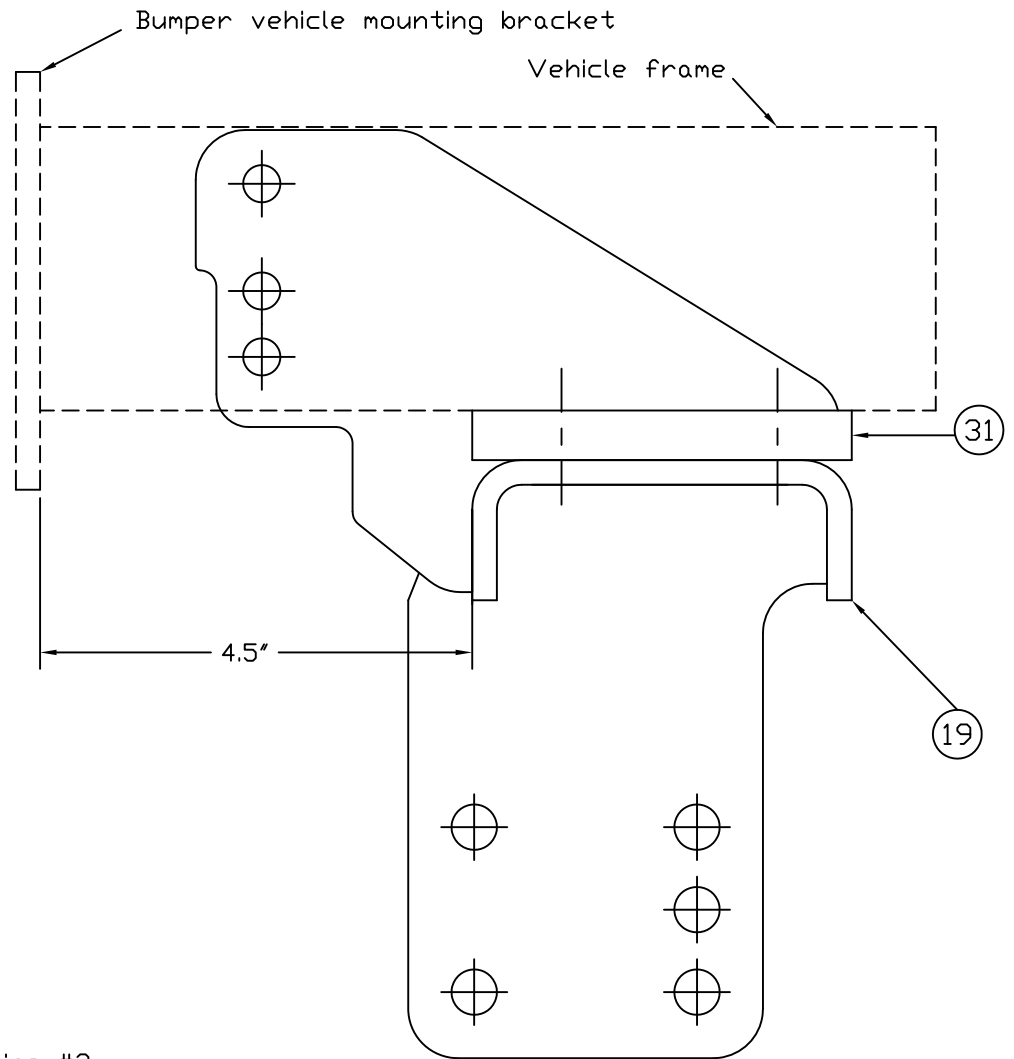
W1500 Ram 4x4 (Except Sport) 2002-2008

For the snowplow lights, this kit requires
800084, 800085 or 800086 light kit,
53617-M wiring kit,
767052 Light adapter (2002-2005) Kit (vehicle's headlamp bulb H9007,
800034 light adapter (2006-2008) (vehicle's headlamp H13).

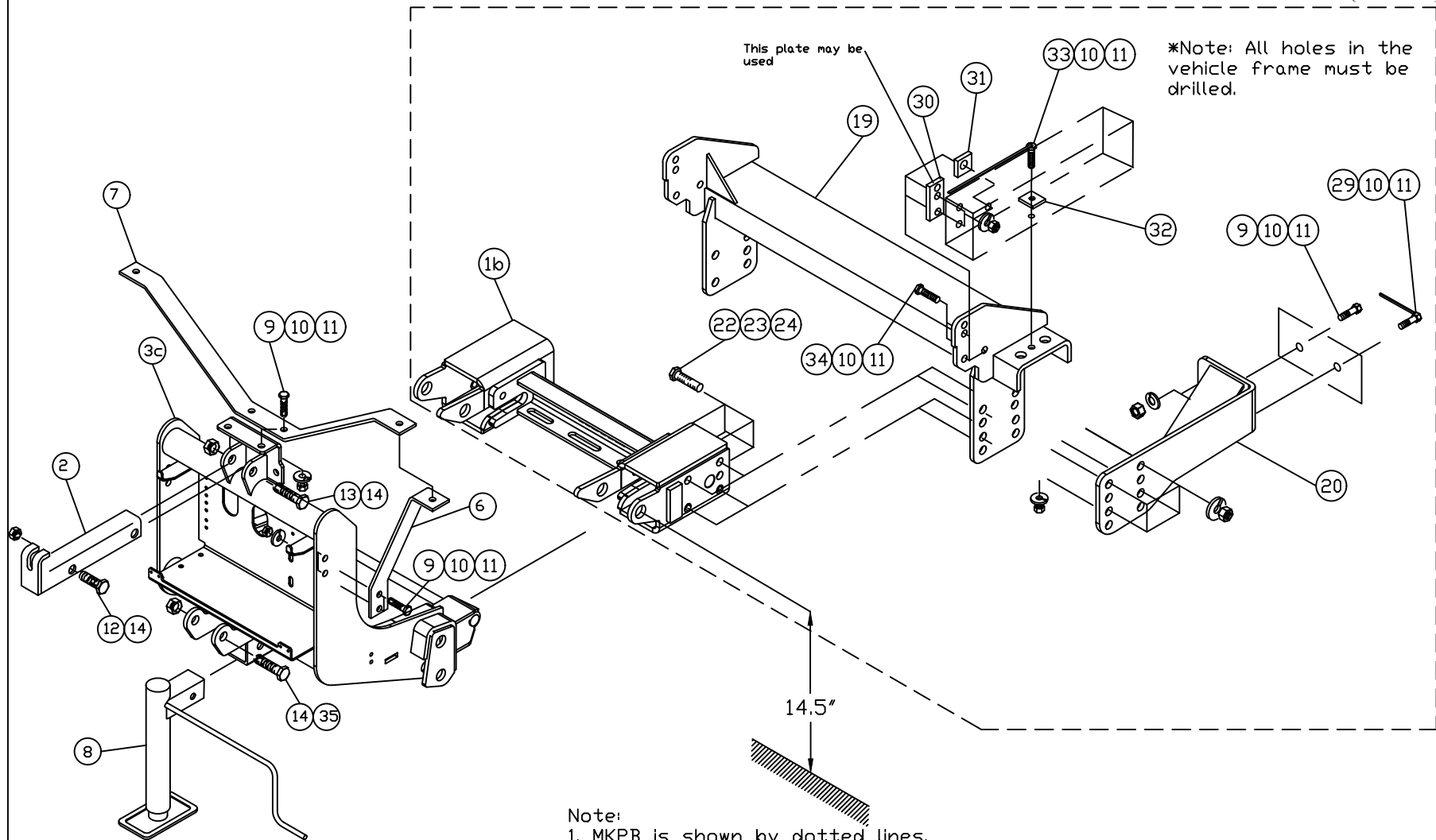




Drawing #1



Drawing #2



Note:
 1. MKPB is shown by dotted lines.
 2. All bolts are included in MKPB
 3. Please use LOCTITE®, or similar locking product on ALL mounting hardware (bolts, nuts, etc.).

Item	Part #	Description	Quantity
1*	52166-C	Spreader Bar	1
1a*	52363-C	Spreader Bar QLII	1
1b	53551-C	Spreader Bar QLIV	1
2	50069-C-GA	Lift Channel (1 ½" cylinder)	1
3*	52162-C	Lift Frame	1
3a*	53170-D-GA	Lift Frame, QUIK*LINK ® II- low mount	1
3b*	53171-D-GA	Lift Frame, QUIK*LINK ® II-Hi boy	1
3c	53564-D	Lift Frame, QUIK*LINK ® II-low mount	1
4*	WA-34704-M	Mounting Pin, QLI, Ass'y	2
4a*	52348-M	Mounting Pin, Ass'y	2
6	52208-B-GA	Light Brace Galvanized	2
7	52209-B	Light Antler Galvanized	1
8	52373-M	Jack Assembly	1
9	HH00972-090	½" x 1 ½" UNF Hex Head Capscrew	8
10	HH-00457-001	½" Lock washer	18
11	HH-00460-002	½" UNF Nut	18
12	HH-00972-149	¾" x 2 ½" UNF Hex Head Cap screw	1
13	HH-00972-153	¾" x 3 ½" UNF Hex Head Cap screw	2
14	HH-00973-007	¾" UNF Thin Collar Locknut	3
15	52609-N	¾" x 7 ½" UNF Hex Head Cap screw	4
16	HH-00460-007	¾" UNF Nut	4
17	HH-00457-008	¾" Lock washer	4
18	HH-00341-009	¾" Flat washer	4
19	52602-C	Mounting Bracket	1
20	52597-01-B	Thrust Arm, Driver Side	1

Item	Part #	Description	Quantity
21*	52597-02-B	Thrust Arm, Curb Side	1
22	HH-00972-131	5/8" x 2 1/4" UNF Hex Head Cap screw	8
23	HH-00457-003	5/8" Lock washer	8
24	HH-00460-001	5/8" Hex Nut	8
25*	HH-00293-006	1/4"x1" UNC Hex Head Cap screw	8
26*	HH-00341-002	1/4" Flat washer	4
27*	HH-00457-006	1/4" Lock washer	4
28*	HH-00294-001	1/4" Hex Nut	4
29	52575-A	1/2" x 1 1/2" Hex Head Cap screw c/w Welded Handle	2
30	53209-A	Spacer, side plate	2
31	53331-A	Spacer 3/8"	2
32	53332-A	Frame Plate 1/4"	2
33	52575-12-A	Bolt 1/2" x with 10" with welded handle	2
34	HH00972-092	1/2" x 2" UNF Hex Head Capscrew	6
35	HH-00972-155	3/4" x 4" UNF Cap Screw	2

QUIK*LINK is a trademark of Arctic Equipment Manufacturing Corporation

Note: * These items are not shown on the drawing.

GENERAL

Customer must be aware of following:

Arctic Equipment Manufacturing Corporation (Arctic) does not assume liability for damage to your motor vehicle resulting from the attachment or use of an Arctic snowplow. The purchaser assumes all vehicle risk associated with the attachment and operation of this snowplow.

The Arctic snowplow you purchase must be used only on vehicles equipped with the manufacturer's snow plow preparation package. Snow plowing without the original plow preparation package may damage your vehicle. The added weight may impair the operation and control of your vehicle. Snow plowing with a vehicle not recommended for that purpose by the manufacturer may void your new vehicle warranty. If your vehicle is not equipped with an original snow plow preparation package, additional equipment may be necessary before snow plowing. Please consult your vehicle and snowplow dealers

prior to the purchase and installation of the snowplow. The installation of such parts however is not a full substitute for the original equipment snowplow preparation package.

Before drilling any holes in the firewall or frame, move brake lines, fuel lines and/or electrical wiring from the path of the drill. Brake and fuel lines must also be clear of any fasteners.

All bolts should be installed from the inside of the truck frame so that the lock washers and nuts are accessible for re tightening (where is possible).

If a slotted hole in the truck frame is utilized, then a flat washer must be used under the bolt head. If a flat washer is used under a lock washer use LOCTITE #242. Also use this LOCTITE #242 if existing (vehicle) bolts and nuts are used.

General order of installation:

- install all components (mounting bracket, thrust arm and spreader bar) and all fasteners finger tight (snug) through existing holes,
- drill necessary holes and
- tighten all hardware.

After first use, re tighten all mounting bolts, thereafter check mounting bolt tightness periodically and at the start of the season.

Before proceeding, read instructions carefully and familiarize yourself with the components and hardware.

INSTALLATION INSTRUCTIONS

1. DO NOT REMOVE a bumper for W1500 Ram 4x4 2002-2005 from truck. REMOVE a bumper for W1500 Ram 4x4 2006-2008 from truck. Remove plastic moulded dam attached to the bumper vehicle.

For W1500 Ram 4x4 (Except Sport) 2002-2005 see drawing #1:

Remove the bumper mounting bolts from the inside of the frame rails and partially reinsert from outside the frame. Be sure that the bolts do not extend past the inboard edge of the bumper mounting bracket

2. Slide spreader bar mounting bracket (19) up between the bumper mounting brackets. Align the 2 top holes in the bracket with the existing bumper mounting bolts. Push the bumper mounting bolts fully through the spreader bar mounting bracket. Reinstall original hex nuts using Loctite # 242.

3. Install two 3/4" x 7 1/2" (15) bolts, flat washer (18), lock washer (17) and 3/4" nut (16) on each side of frame. Apply LOCTITE # 242 on these four bolts.

For **W1500 Ram 4x4 (Except Sport) 2006-2008 see drawing #2 and #3:**

4. Slide mounting bracket (19) against vehicle frame. Mounting bracket channel (19) must be 4.5" away from the bumper mounting bracket-see drawing #2. Assure that thrust arms (20)(21) sit against the truck cross member and line up with four holes in the mounting bracket (19). Insert 3/8" spacer (30) and (31) so that mounting bracket (19) is centred between frame rails. Insert three 1/2" x 2" bolts per side (34) and secure with 1/2" lockwasher (10) and 1/2" nut (11).
Using 7/8" hole in the mounting bracket (19) as guide, drill 25/32" hole per side through the bottom of the vehicle frame.
- 4a. Place 1/4" spacer (33) as shown on the drawing #3. Insert 1/2" bolt with welded handle 10" (33) through the vehicle frame and secure with 1/2" lock washer (10) and 1/2" nut (11). Assure again that thrust arms (20)(21) sit against the truck cross member and line up with four holes in the mounting bracket (19).

Follow instruction for W1500 **2002-2005 and 2006-2008:**

5. Using four 5/8" (22) bolts on each side install spreader bar (1a) between mounting bracket.
6. Install thrust arms (20)(21) (see drawing for correct orientation of thrust arm), so that thrust arm is outside of mounting bracket (19). Install 5/8" lock washers (23) and 5/8" nuts (24) on 5/8" x 2 1/4" bolts (5/8" x 2 1/4" bolts connect together spreader bar (1a), mounting bracket (19) and thrust arm (20)(21)). Drill two 17/32" holes through cross member using two holes in thrust arm as a guide. Install one 1/2" x 1 1/2" bolt (9) and 1/2" x 1 1/2" (29) bolt with welded handle; 1/2" lock washer (10) and 1/2" nut (11).
7. Torque all fasteners using torque chart.
(Note: Bumper needs to be slid up as much as possible in order to get clearance between bumper and lift frame for W1500 2002-2005). Reinstall bumper for W1500 2006-2008.
8. Install lift frame (3a)(3b). Slide inside of spreader bar (1a). Insert mounting pin (4a) in top holes of spreader bar (1a).
9. Fasten the light antler (7) to the top of the lift frame (3a) using 1/2"x1 1/2" bolt (9), lock washer (10), 1/2" nut (11). Do not tighten. Fasten the light brace (6) to both sides of the lift frame (3a), using 1/2"x1 1/2" bolt (9), lock washer (10), 1/2" nut (11). Do not tighten. Install plow lamps so that the stud is through the light antler (7) and light brace (6).
10. Torque all fasteners according to torque chart.
11. Fasten lift channel (2) and lift cylinder to the lift frame (3a)(3b) using 3/4"x3 1/2" bolts

- (13) and 3/4" locknut (14). Use 3/4"x 2 1/2" bolt (12) and 3/4" locknut (14) to attach lift cylinder or M673F to lift channel (2). NOTE: *Do not over tighten as this assembly must be able to pivot.*
12. Use 1/4"x1" bolt (25), 1/4" flat washer (26), 1/4" lock washer (27) and 1/4" hex nut (28) to fasten blade guides to plow.
 13. Return any unused items to the customer so that the vehicle can be returned to its original condition if the snowplow is removed.
 14. See separate installation instructions for the hydraulic pump, wiring and controls.

Torque Chart (Ft. Lb)		
Size	Grade 5 Bolt	Grade 8 Bolt
1/4 - 28	8	11
5/16 - 24	15	22
3/8 - 24	28	40
7/16- 20	44	63
1/2- 20	69	97
5/8- 18	138	195
3/4-16	241	341

Note: Torque values are for plated bolts only.