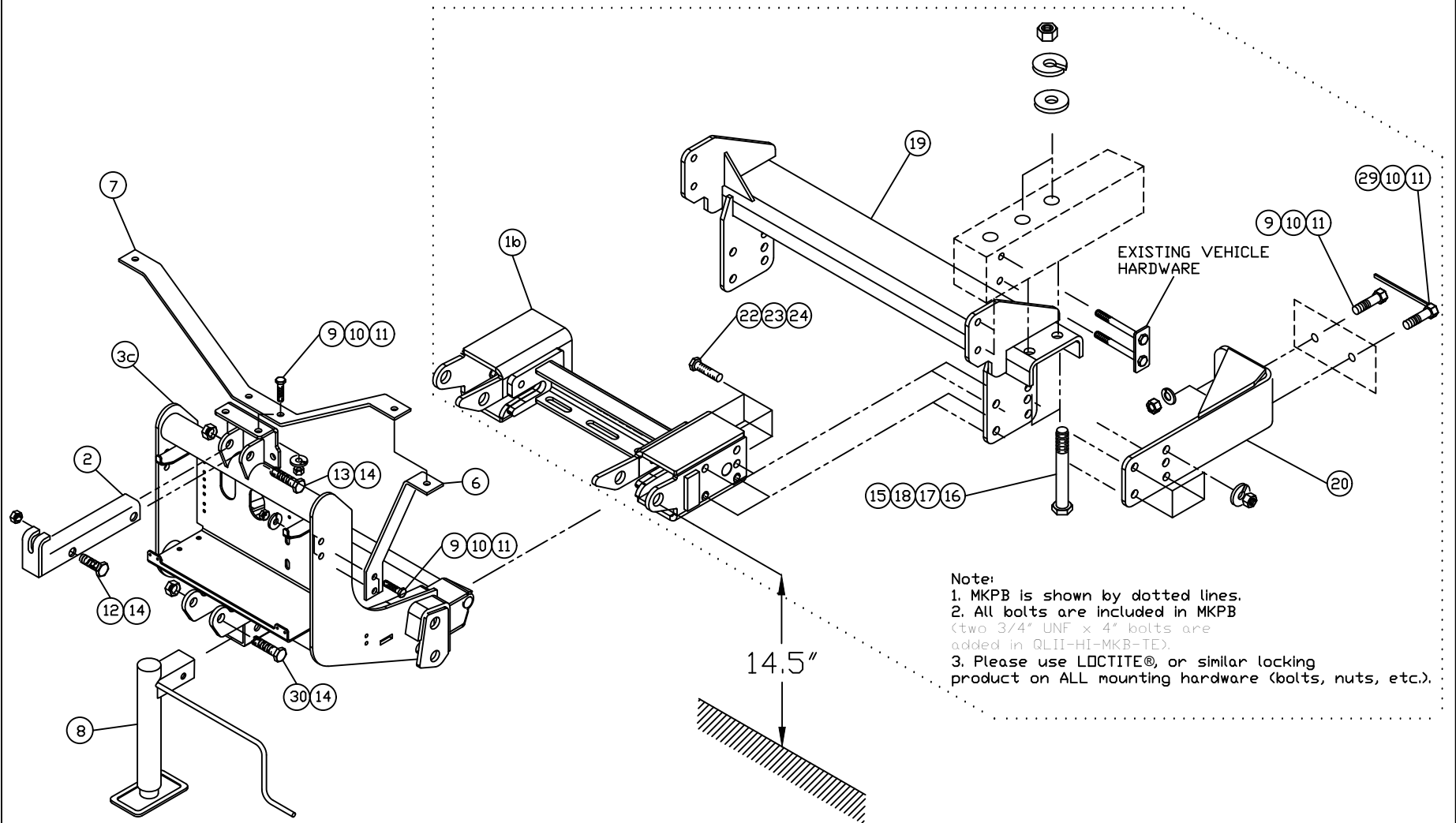


Mounting Kit 52596-MKPB-QLIV

W1500 Ram 4x4 (Except Sport) 2002-2005

For the snowplow lights (2002-2005) this kit requires:
800084, 800085 or 800086 light kit,
53617-M wiring kit and 767052 Adapter Kit (vehicle's headlamp bulb H9007)

At this point in time *Daimler Chrysler does not recommend the 2002 Dodge 1500 for snow plow use.* Due to the demand from the dealer network we have designed a kit that will fit this truck. **Arctic Equipment Manufacturing will not accept responsibility for any damages to the plow or the vehicle on which it has been installed.** This kit is not designed to fit the "Sport" model as there is not sufficient ground clearance from the one piece fibreglass bumper. In order to install on a "Sport" you must a) replace the bumper with a standard bumper or b) trim the bottom edge of the fibreglass to clear the lift frame.



Item	Part #	Description	Quantity
1*	52166-C	Spreader Bar	1
1a*	52363-C	Spreader Bar QLII	1
1b	53551-C	Spreader Bar QLIV	1
2	50069-C-GA	Lift Channel (1 ½" cylinder)	1
2a*	52612-B-GA	Lift Channel (2" cylinder)	1
3*	52162-C	Lift Frame	1
3a*	53170-D-GA	Lift Frame, QUIK*LINK ® II- low mount	1
3b*	53171-D-GA	Lift Frame, QLII-Hi boy	1
3c	53564-D	Lift Frame, QLIV- low mount	1
4*	WA-34704-M	Mounting Pin, QLI, Ass'y	2
4a*	52348-M	Mounting Pin, Ass'y	2
6	52208-B-GA	Light Brace Galvanized	2
7	52209-B-GA	Light Antler Galvanized	1
8	52373-M	Jack Assembly	1
9	HH00972-090	½" x 1 ½" UNF Hex Head Capscrew	8
10	HH-00457-001	½" Lock washer	10
11	HH-00460-002	½" UNF Nut	10
12	HH-00972-149	¾" x 2 ½" UNF Hex Head Cap screw	1
13	HH-00972-153	¾" x 3 ½" UNF Hex Head Cap screw	2
14	HH-00973-007	¾" UNF Thin Collar Locknut	3
15	52609-N	¾" x 7 ½" UNF Hex Head Cap screw	4
16	HH-00460-007	¾" UNF Nut	4
17	HH-00457-008	¾" Lock washer	4
18	HH-00341-009	¾" Flat washer	4
19	52602-C	Mounting Bracket	1
20	52597-01-B	Thrust Arm, Driver Side	1

Item	Part #	Description	Quantity
21*	52597-02-B	Thrust Arm, Curb Side	1
22	HH-00972-131	5/8" x 2 1/4" UNF Hex Head Cap screw	8
23	HH-00457-003	5/8" Lock washer	8
24	HH-00460-001	5/8" Hex Nut	8
25*	HH-00293-006	1/4"x1" UNC Hex Head Cap screw	4
26*	HH-00341-002	1/4" Flat washer	4
27*	HH-00457-006	1/4" Lock washer	4
28*	HH-00294-001	1/4" Hex Nut	4
29	52575-A	1/2" x 1 1/2" Hex Head Cap screw c/w Welded Handle	2
30	HH-00972-155	3/4" x 4" UNF Hex Head Cap screw	2

QUIK*LINK is a trademark of Arctic Equipment Manufacturing Corporation

Note: * These items are not shown on the drawing.

GENERAL

Customer must be aware of following:

Arctic Equipment Manufacturing Corporation (Arctic) does not assume liability for damage to your motor vehicle resulting from the attachment or use of an Arctic snowplow. The purchaser assumes all vehicle risk associated with the attachment and operation of this snowplow.

The Arctic snowplow you purchase must be used only on vehicles equipped with the manufacturer's snow plow preparation package. Snow plowing without the original plow preparation package may damage your vehicle. The added weight may impair the operation and control of your vehicle. Snow plowing with a vehicle not recommended for that purpose by the manufacturer may void your new vehicle warranty. If your vehicle is not equipped with an original snow plow preparation package, additional equipment may be necessary before snow plowing. Please consult your vehicle and snowplow dealers prior to the purchase and installation of the snowplow. The installation of such parts however is not a full substitute for the original equipment snowplow preparation package.

Before drilling any holes in the firewall or frame, move brake lines, fuel lines and/or electrical wiring from the path of the drill. Brake and fuel lines must also be clear of any

fasteners.

All bolts should be installed from the inside of the truck frame so that the lock washers and nuts are accessible for re tightening (where is possible).

If a slotted hole in the truck frame is utilized, then a flat washer must be used under the bolt head. If a flat washer is used under a lock washer use LOCTITE #242. Also use this LOCTITE #242 if existing (vehicle) bolts and nuts are used.

General order of installation:

- install all components (mounting bracket, thrust arm and spreader bar) and all fasteners finger tight (snug) through existing holes,
- drill necessary holes and
- tighten all hardware.

After first use, re tighten all mounting bolts, thereafter check mounting bolt tightness periodically and at the start of the season.

Before proceeding, read instructions carefully and familiarize yourself with the components and hardware.

INSTALLATION INSTRUCTIONS

1. DO NOT REMOVE bumper from truck. Remove plastic moulded dam attached to the bumper vehicle.
2. Remove the bumper mounting bolts from the inside of the frame rails and partially reinsert from outside the frame. Be sure that the bolts do not extend past the inboard edge of the bumper mounting bracket.
3. Slide spreader bar mounting bracket (19) up between the bumper mounting brackets. Align the 2 top holes in the bracket with the existing bumper mounting bolts. Push the bumper mounting bolts fully through the spreader bar mounting bracket. Reinstall original hex nuts using Loctite # 242.
4. Install two 3/4" x 7 1/2" (15) bolts, flat washer (18), lock washer (17) and 3/4" nut (16) on each side of frame. Apply LOCTITE # 242 on these four bolts.
5. Using three 5/8" (22) bolts on each side install spreader bar (1a) between mounting bracket.
6. Install thrust arms (20)(21) (see drawing for correct orientation of thrust arm), so that thrust arm is outside of mounting bracket (19). Install 5/8" lock washers (23) and 5/8"

- nuts (24) on 5/8" x 2 1/4" bolts (5/8" x 2 1/4" bolts connect together spreader bar (1a), mounting bracket (19) and thrust arm (20(21))). Drill two 17/32" holes through cross member using two holes in thrust arm as a guide. Install one 1/2" x 1 1/2" bolt (9) and 1/2" x 1 1/2" (29) bolt with welded handle; 1/2" lock washer (10) and 1/2" nut (11).
7. Torque all fasteners using torque chart. (Note: Bumper needs to be slid up as much as possible in order to get clearance between bumper and lift frame).
 8. Install lift frame (3a), (3b). Slide inside of spreader bar (1a). Insert mounting pin (4a) in top holes of spreader bar (1a).
 9. Fasten the light antler (7) to the top of the lift frame (3a) using 1/2"x1 1/2" bolt (9), lock washer (10), 1/2" nut (11). Do not tighten.
Fasten the light brace (6) to both sides of the lift frame (3a), using 1/2"x1 1/2" bolt (9), lock washer (10), 1/2" nut (11). Do not tighten.
Install plow lamps so that the stud is through the light antler (7) and light brace (6).
 10. Torque all fasteners according to torque chart.
 11. Fasten lift channel (2) and lift cylinder to the lift frame (3a)(3b) using 3/4"x3 1/2" bolts (13) and 3/4" locknut (14). Use 3/4"x 2 1/2" bolt (12) and 3/4" locknut (14) to attach lift cylinder or M673F to lift channel (2). NOTE: *Do not over tighten as this assembly must be able to pivot.*
 12. Use 1/4"x1" bolt (25), 1/4" flat washer (26), 1/4" lock washer (27) and 1/4" hex nut (28) to fasten blade guides to plow.
 13. Return any unused items to the customer so that the vehicle can be returned to its original condition if the snow plow is removed.
 14. See separate installation instructions for the hydraulic pump, wiring and controls.

Torque Chart (Ft. Lb)		
Size	Grade 5 Bolt	Grade 8 Bolt
1/4 - 28	8	11
5/16 - 24	15	22
3/8 - 24	28	40
7/16- 20	44	63
1/2- 20	69	97
5/8- 18	138	195
3/4-16	241	341
Note: Torque values are for plated bolts only.		