

## ARCTIC HDSSTE-P

Arctic Heavy Duty Skid Steer Trip Edge  
- Poly  
(For trip edge blade only)

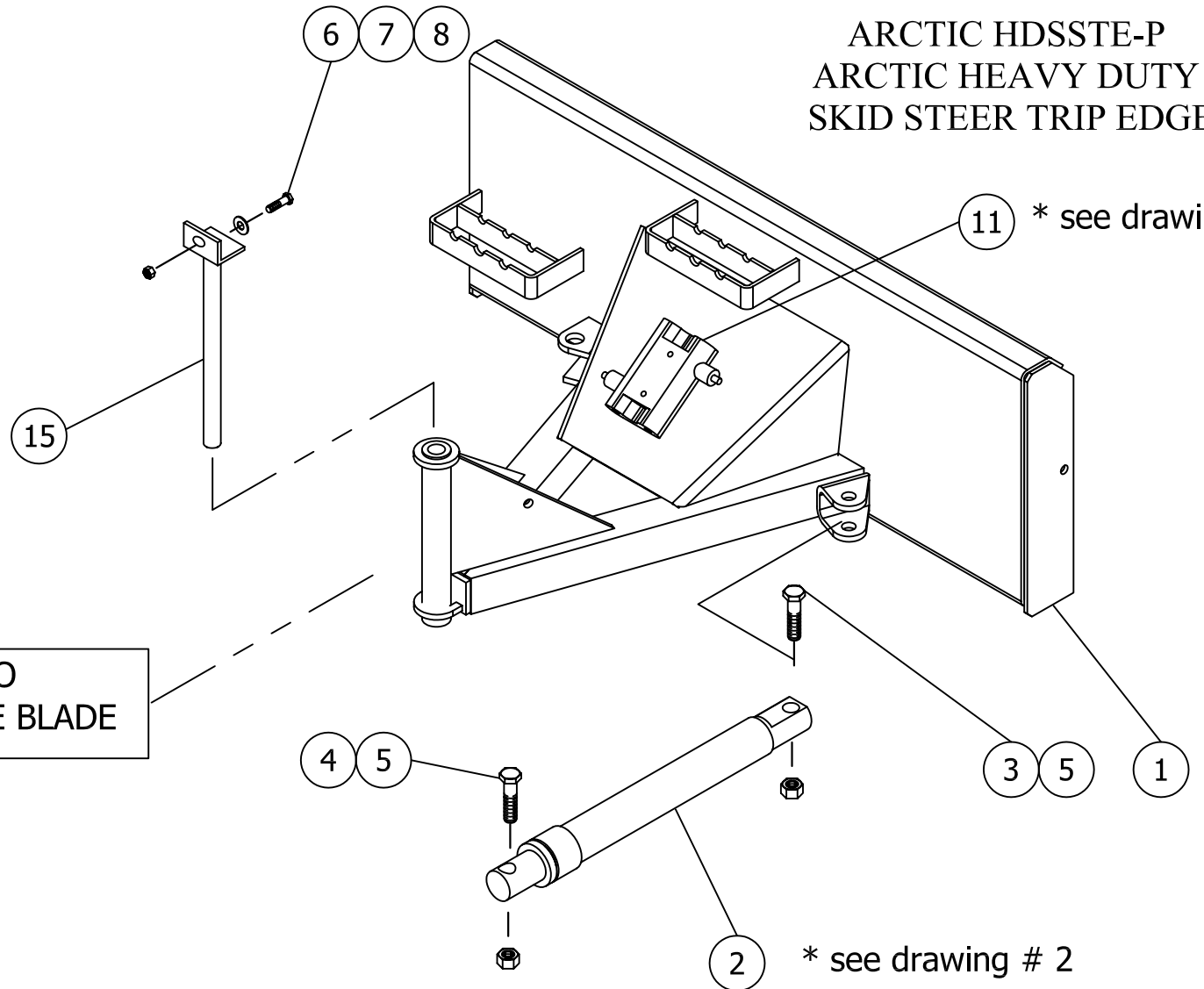
ARCTIC HDSSTE-P  
ARCTIC HEAVY DUTY  
SKID STEER TRIP EDGE

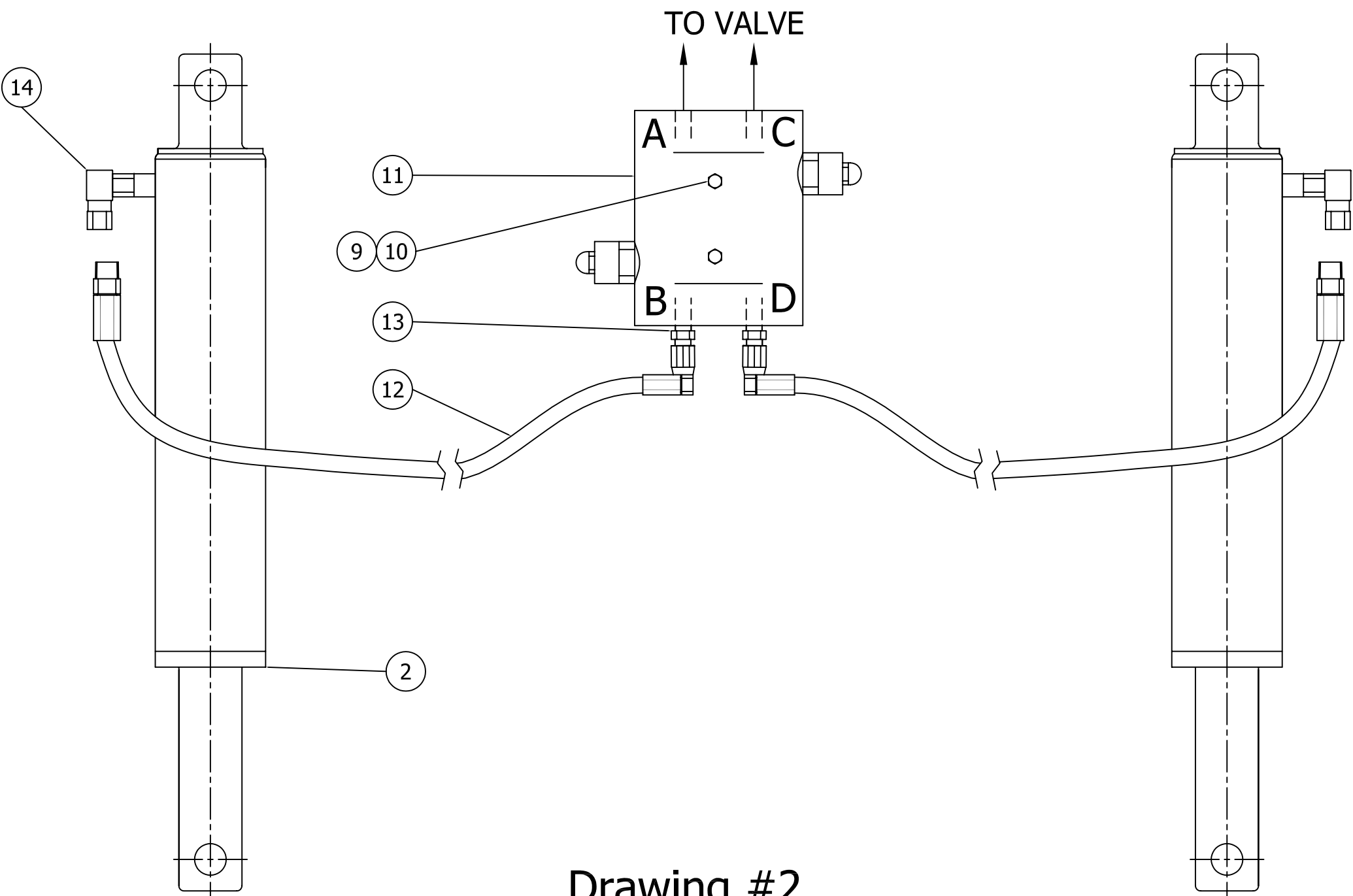
\* see drawing # 2

BACK VIEW

ATTACH TO  
TRIP EDGE BLADE

Drawing #1





Drawing #2

Arctic Heavy Duty Skid Steer			
	Part #	Description	Quantity
1	53241-D	Skid Steer frame	1
2	CS150-10.00-NRS	1.1/2"x10" angling cylindar	2
3	HH-00972-153	3/4-16x3.1/2 Hex Head Cap Screw	2
4	HH-00972-152	3/4-16x3.1/4 Hex Head Cap Screw	2
5	HH-00973-007	3/4-16 nylon insert nut	4
6	HH-00972-090	1/2-20x1.1/2 Hex Head Cap Screw	1
7	HH-00540-004	1/2-20 nylon insert nut	1
8	HH-00341-006	1/2 flatwasher	1
9	HH-00340-017	5/16-18 nylon insert nut	2
10	HH-00293-034	5/16-18x2.1/2 Hex Head Cap Screw	2
11	HCR050	Cross over relief valve	1
12	51002-M	1/4"x18" hose assembly	2
13	HH-00088-005	1/2 to 1/4 reducing bushing	2
14	HH-00790-002	90 deg swivel elbow	2
15	52488-B	T.E. pivot shaft	1